

 **BOEING**
COMPONENT
MAINTENANCE MANUAL

TO: ALL HOLDERS OF TWO CREW CONTROL PANEL ASSEMBLY P1-3 COMPONENT
MAINTENANCE MANUAL 31-11-61

REVISION NO. 7 DATED JUL 01/05

HIGHLIGHTS

Pages which have been added or revised are outlined below together with the highlights of the revision. Remove and insert the affected pages as listed and enter Revision No. and date to the Record of Revision Sheet.

CHAPTER/SECTION

AND PAGE NO.

DESCRIPTION OF CHANGE

TITLE PAGE

Added assemblies P/N 233T2222-75, -80 thru -93, -96,
-301 thru -313, -320 thru -322.

1

101-180G

REPAIR-GEN

601

1003-1058,1060,1063,

1065-1080E,1080G-1080H,

1080K-1080L,1080O-1082C,

1082E-1086R,1086T-1088S

CONTENTS

Edited without technical change.

1

1002

Added the general information of interchangeable part number of the S231T290 series in the IPL Introduction, page 1002.

31-11-61

HIGHLIGHTS

01.1

Page 1

Jul 01/05

TWO CREW CONTROL PANEL ASSEMBLY P1-3

PART NUMBERS 233T2222-31,-67,-73,-75,
-80 THRU -93,-96,
-301 THRU -313,
-320 THRU -322

COMPONENT MAINTENANCE MANUAL
WITH
ILLUSTRATED PARTS LIST

31-11-61

TITLE PAGE

Page 1

Jul 01/05

01.1



REVISION RECORD

- Retain this record in front of manual. On receipt of revision, insert revised pages in the manual, and enter revision number, date inserted and initial.

REVISION NUMBER	REVISION DATE	DATE FILED	BY	REVISION NUMBER	REVISION DATE	DATE FILED	BY



TEMPORARY REVISION AND SERVICE BULLETIN RECORD

BOEING SERVICE BULLETIN	BOEING TEMPORARY REVISION	OTHER DIRECTIVE	DATE OF INCORPORATION INTO MANUAL
	31-1		JAN 01/89

31-11-61

TR & SB RECORD

01

Page 1

Jan 01/89


BOEING
 COMPONENT
 MAINTENANCE MANUAL

PAGE	DATE	CODE	PAGE	DATE	CODE
31-11-61			TESTING & TROUBLE SHOOTING CONT.		
TITLE PAGE			*112	JUL 01/05	01.1
*1	JUL 01/05	01.1	*113	JUL 01/05	01.1
2	BLANK		*114	JUL 01/05	01.1
REVISION RECORD			*115	JUL 01/05	01.1
1	JAN 01/89	01	*116	JUL 01/05	01.1
2	BLANK		*117	JUL 01/05	01.1
TR & SB RECORD			*118	JUL 01/05	01.1
1	JAN 01/89	01	*119	JUL 01/05	01.1
2	BLANK		*120	JUL 01/05	01.1
LIST OF EFFECTIVE PAGES			*121	JUL 01/05	01.1
*1	JUL 01/05	01	*122	JUL 01/05	01.1
THRU LAST PAGE			*123	JUL 01/05	01.1
CONTENTS			*124	JUL 01/05	01.1
*1	JUL 01/05	01.1	*125	JUL 01/05	01.1
2	BLANK		*126	JUL 01/05	01.1
INTRODUCTION			*127	JUL 01/05	01.1
1	JAN 01/91	01.1	*128	JUL 01/05	01.1
2	BLANK		*129	JUL 01/05	01.1
DESCRIPTION & OPERATION			*130	JUL 01/05	01.1
1	JAN 01/89	01	*131	JUL 01/05	01.1
2	BLANK		*132	JUL 01/05	01.1
TESTING & TROUBLE SHOOTING			*133	JUL 01/05	01.1
*101	JUL 01/05	01.1	*134	JUL 01/05	01.1
*102	JUL 01/05	01.1	*135	JUL 01/05	01.1
*103	JUL 01/05	01.1	*136	JUL 01/05	01.1
*104	JUL 01/05	01.1	*137	JUL 01/05	01.1
*105	JUL 01/05	01.1	*138	JUL 01/05	01.1
*106	JUL 01/05	01.1	*139	JUL 01/05	01.1
*107	JUL 01/05	01.1	*140	JUL 01/05	01.1
*108	JUL 01/05	01.1	*141	JUL 01/05	01.1
*109	JUL 01/05	01.1	*142	JUL 01/05	01.1
*110	JUL 01/05	01.1	*143	JUL 01/05	01.1
*111	JUL 01/05	01.1	*144	JUL 01/05	01.1
			*145	JUL 01/05	01.1
			*146	JUL 01/05	01.1
			*147	JUL 01/05	01.1
			*148	JUL 01/05	01.1
			*149	JUL 01/05	01.1
			*150	JUL 01/05	01.1
			*151	JUL 01/05	01.1
			*152	JUL 01/05	01.1
			*153	JUL 01/05	01.1

* = REVISED, ADDED OR DELETED

31-11-61

EFFECTIVE PAGES
CONTINUED Page 1
01 Jul 01/05

PAGE	DATE	CODE	PAGE	DATE	CODE
TESTING & TROUBLE SHOOTING			ILLUSTRATED PARTS LIST		
		CONT.			
*154	JUL 01/05	01.1	1001	JAN 01/89	01
*155	JUL 01/05	01.1	*1002	JUL 01/05	01.1
*156	JUL 01/05	01.1	*1003	JUL 01/05	01.1
*157	JUL 01/05	01.1	*1004	JUL 01/05	01.1
*158	JUL 01/05	01.1	*1005	JUL 01/05	01.1
*159	JUL 01/05	01.1	*1006	JUL 01/05	01.1
*160	JUL 01/05	01.1	*1007	JUL 01/05	01.1
*161	JUL 01/05	01.1	*1008	JUL 01/05	01.1
*162	JUL 01/05	01.1	*1009	JUL 01/05	01.1
*163	JUL 01/05	01.1	*1010	JUL 01/05	01.1
*164	JUL 01/05	01.1	*1011	JUL 01/05	01.1
*165	JUL 01/05	01.1	*1012	JUL 01/05	01.1
*166	JUL 01/05	01.1	*1013	JUL 01/05	01.1
*167	JUL 01/05	01.1	*1014	JUL 01/05	01.1
*168	JUL 01/05	01.1	*1015	JUL 01/05	01.1
*169	JUL 01/05	01.1	*1016	JUL 01/05	01.1
*170	JUL 01/05	01.1	*1017	JUL 01/05	01.1
*171	JUL 01/05	01.1	*1018	JUL 01/05	01.1
*172	JUL 01/05	01.1	*1019	JUL 01/05	01.1
*173	JUL 01/05	01.1	*1020	JUL 01/05	01.1
*174	JUL 01/05	01.1	*1021	JUL 01/05	01.1
*175	JUL 01/05	01.1	*1022	JUL 01/05	01.1
*176	JUL 01/05	01.1	*1023	JUL 01/05	01.1
*177	JUL 01/05	01.1	*1024	JUL 01/05	01.1
*178	JUL 01/05	01.1	*1025	JUL 01/05	01.1
*179	JUL 01/05	01.1	*1026	JUL 01/05	01.1
*180	JUL 01/05	01.1	*1027	JUL 01/05	01.1
*180A	JUL 01/05	01.1	*1028	JUL 01/05	01.1
*180B	JUL 01/05	01.1	*1029	JUL 01/05	01.1
*180C	JUL 01/05	01.1	*1030	JUL 01/05	01.1
*180D	JUL 01/05	01.1	*1031	JUL 01/05	01.1
*180E	JUL 01/05	01.1	*1032	JUL 01/05	01.1
*180F	JUL 01/05	01.1	*1033	JUL 01/05	01.1
*180G	JUL 01/05	01.1	*1034	JUL 01/05	01.1
*180H	BLANK		*1035	JUL 01/05	01.1
			*1036	JUL 01/05	01.1
REPAIR-GENERAL			*1037	JUL 01/05	01.1
*601	JUL 01/05	01.1	*1038	JUL 01/05	01.1
602	BLANK		*1039	JUL 01/05	01.1
			*1040	JUL 01/05	01.1
			*1041	JUL 01/05	01.1
			*1042	JUL 01/05	01.1

* = REVISED, ADDED OR DELETED

31-11-61

EFFECTIVE PAGES
CONTINUED Page 2
01 Jul 01/05


BOEING
 COMPONENT
 MAINTENANCE MANUAL

PAGE	DATE	CODE	PAGE	DATE	CODE
ILLUSTRATED PARTS LIST		CONT.	ILLUSTRATED PARTS LIST		CONT.
*1043	JUL 01/05	01.1	*1080E	JUL 01/05	01.1
*1044	JUL 01/05	01.1	*1080F	BLANK	
*1045	JUL 01/05	01.1	*1080G	JUL 01/05	01.1
*1046	JUL 01/05	01.1	*1080H	JUL 01/05	01.1
*1047	JUL 01/05	01.1	*1080I	JUL 01/05	01.1
*1048	JUL 01/05	01.1	*1080J	JUL 01/05	01.1
*1049	JUL 01/05	01.1	*1080K	JUL 01/05	01.1
*1050	JUL 01/05	01.1	*1080L	JUL 01/05	01.1
*1051	JUL 01/05	01.1	*1080M	JUL 01/05	01.1
*1052	JUL 01/05	01.1	*1080N	JUL 01/05	01.1
*1053	JUL 01/05	01.1	*1080O	JUL 01/05	01.1
*1054	JUL 01/05	01.1	*1080P	JUL 01/05	01.1
*1055	JUL 01/05	01.1	*1080Q	JUL 01/05	01.1
*1056	JUL 01/05	01.1	*1080R	JUL 01/05	01.1
*1057	JUL 01/05	01.1	*1080S	JUL 01/05	01.1
*1058	JUL 01/05	01.1	*1080T	JUL 01/05	01.1
*1059	JUL 01/05	01.1	*1080U	JUL 01/05	01.1
*1060	JUL 01/05	01.1	*1080V	JUL 01/05	01.1
*1061	JUL 01/05	01.1	*1080W	JUL 01/05	01.1
*1062	JUL 01/05	01.1	*1080X	JUL 01/05	01.1
*1063	JUL 01/05	01.1	*1080Y	JUL 01/05	01.1
*1064	JUL 01/05	01.1	*1080Z	JUL 01/05	01.1
*1065	JUL 01/05	01.1	*1081	JUL 01/05	01.1
*1066	JUL 01/05	01.1	*1082	JUL 01/05	01.1
*1067	JUL 01/05	01.1	*1082A	JUL 01/05	01.1
*1068	JUL 01/05	01.1	*1082B	JUL 01/05	01.1
*1069	JUL 01/05	01.1	*1082C	JUL 01/05	01.1
*1070	JUL 01/05	01.1	*1082D	BLANK	
*1071	JUL 01/05	01.1	*1082E	JUL 01/05	01.1
*1072	JUL 01/05	01.1	*1082F	JUL 01/05	01.1
*1073	JUL 01/05	01.1	*1082G	JUL 01/05	01.1
*1074	JUL 01/05	01.1	*1082H	JUL 01/05	01.1
*1075	JUL 01/05	01.1	*1082I	JUL 01/05	01.1
*1076	JUL 01/05	01.1	*1082J	JUL 01/05	01.1
*1077	JUL 01/05	01.1	*1082K	JUL 01/05	01.1
*1078	JUL 01/05	01.1	*1082L	JUL 01/05	01.1
*1079	JUL 01/05	01.1	*1082M	JUL 01/05	01.1
*1080	JUL 01/05	01.1	*1082N	JUL 01/05	01.1
*1080A	JUL 01/05	01.1	*1082O	JUL 01/05	01.1
*1080B	JUL 01/05	01.1	*1082P	JUL 01/05	01.1
*1080C	JUL 01/05	01.1	*1082Q	JUL 01/05	01.1
*1080D	JUL 01/05	01.1	*1082R	JUL 01/05	01.1

* = REVISED, ADDED OR DELETED

31-11-61

EFFECTIVE PAGES
 CONTINUED Page 3
 01 Jul 01/05

PAGE	DATE	CODE	PAGE	DATE	CODE
ILLUSTRATED PARTS LIST		CONT.	ILLUSTRATED PARTS LIST		CONT.
*1082S	JUL 01/05	01.1	*1086E	JUL 01/05	01.1
*1082T	JUL 01/05	01.1	*1086F	JUL 01/05	01.1
*1082U	JUL 01/05	01.1	*1086G	JUL 01/05	01.1
*1082V	JUL 01/05	01.1	*1086H	JUL 01/05	01.1
*1082W	JUL 01/05	01.1	*1086I	JUL 01/05	01.1
*1082X	JUL 01/05	01.1	*1086J	JUL 01/05	01.1
*1082Y	JUL 01/05	01.1	*1086K	JUL 01/05	01.1
*1082Z	JUL 01/05	01.1	*1086L	JUL 01/05	01.1
*1083	JUL 01/05	01.1	*1086M	JUL 01/05	01.1
*1084	JUL 01/05	01.1	*1086N	JUL 01/05	01.1
*1084A	JUL 01/05	01.1	*1086O	JUL 01/05	01.1
*1084B	JUL 01/05	01.1	*1086P	JUL 01/05	01.1
*1084C	JUL 01/05	01.1	*1086Q	JUL 01/05	01.1
*1084D	JUL 01/05	01.1	*1086R	JUL 01/05	01.1
*1084E	JUL 01/05	01.1	*1086S	BLANK	
*1084F	JUL 01/05	01.1	*1086T	JUL 01/05	01.1
*1084G	JUL 01/05	01.1	*1086U	JUL 01/05	01.1
*1084H	JUL 01/05	01.1	*1086V	JUL 01/05	01.1
*1084I	JUL 01/05	01.1	*1086W	JUL 01/05	01.1
*1084J	JUL 01/05	01.1	*1086X	JUL 01/05	01.1
*1084K	JUL 01/05	01.1	*1086Y	JUL 01/05	01.1
*1084L	JUL 01/05	01.1	*1086Z	JUL 01/05	01.1
*1084M	JUL 01/05	01.1	*1087	JUL 01/05	01.1
*1084N	JUL 01/05	01.1	*1088	JUL 01/05	01.1
*1084O	JUL 01/05	01.1	*1088A	JUL 01/05	01.1
*1084P	JUL 01/05	01.1	*1088B	JUL 01/05	01.1
*1084Q	JUL 01/05	01.1	*1088C	JUL 01/05	01.1
*1084R	JUL 01/05	01.1	*1088D	JUL 01/05	01.1
*1084S	JUL 01/05	01.1	*1088E	JUL 01/05	01.1
*1084T	JUL 01/05	01.1	*1088F	JUL 01/05	01.1
*1084U	JUL 01/05	01.1	*1088G	JUL 01/05	01.1
*1084V	JUL 01/05	01.1	*1088H	JUL 01/05	01.1
*1084W	JUL 01/05	01.1	*1088I	JUL 01/05	01.1
*1084X	JUL 01/05	01.1	*1088J	JUL 01/05	01.1
*1084Y	JUL 01/05	01.1	*1088K	JUL 01/05	01.1
*1084Z	JUL 01/05	01.1	*1088L	JUL 01/05	01.1
*1085	JUL 01/05	01.1	*1088M	JUL 01/05	01.1
*1086	JUL 01/05	01.1	*1088N	JUL 01/05	01.1
*1086A	JUL 01/05	01.1	*1088O	JUL 01/05	01.1
*1086B	JUL 01/05	01.1	*1088P	JUL 01/05	01.1
*1086C	JUL 01/05	01.1	*1088Q	JUL 01/05	01.1
*1086D	JUL 01/05	01.1	*1088R	JUL 01/05	01.1

* = REVISED, ADDED OR DELETED

31-11-61

EFFECTIVE PAGES
CONTINUED Page 4
01 Jul 01/05

PAGE	DATE	CODE	PAGE	DATE	CODE
ILLUSTRATED PARTS LIST		CONT.			
*1088S	JUL 01/05	01.1			
*1088T	BLANK				

* = REVISED, ADDED OR DELETED

31-11-61

EFFECTIVE PAGES
 LAST PAGE Page 5
 01 Jul 01/05



TABLE OF CONTENTS

<u>Paragraph Title</u>	<u>Page</u>
Description and Operation	1
Testing and Trouble Shooting.	101
Disassembly*[1]
Cleaning.*[1]
Check*[1]
Repair.	601
Assembly.*[1]
Fits and Clearances (not applicable)	
Special Tools*[2]
Illustrated Parts List.	1001

*[1] Use applicable procedures in S0PM 20-11-04 and standard industry practices.

*[2] Special instructions not required.

31-11-61

CONTENTS

Page 1

Jul 01/05

01.1



INTRODUCTION

The instructions in this manual provide the information necessary to perform maintenance functions including test, fault isolation, and replacement of defective components.

This manual is divided into separate sections:

- | | |
|--|------------------------------|
| 1. Title Page | 4. List of Effective Pages |
| 2. Record of Revisions | 5. Table of Contents |
| 3. Temporary Revision &
Service Bulletin Record | 6. Introduction |
| | 7. Procedures & IPL Sections |

Refer to the Table of Contents for the page location of applicable sections.

An explanation of the use of the Illustrated Parts List is provided in the Introduction to that section.

All weights and measurements used in the manual are in English units, unless otherwise stated. When metric equivalents are given they will be in parentheses following the English units.

Design changes, optional parts, configuration differences and Service Bulletin modifications create alternate part numbers. These are identified in the Illustrated Parts List (IPL) by adding an alphabetical character to the basic item number. The resulting item number is called an alpha-variant. Throughout the manual, IPL basic item number references also apply to alpha-variants unless otherwise indicated.

Verification:

| Testing/TS Oct 3/90

31-11-61

INTRODUCTION

01.1

Page 1

Jan 01/91



TWO CREW CONTROL PANEL ASSEMBLY P1-3

DESCRIPTION AND OPERATION

1. Description

- A. The Two Crew Control Panel Assembly P1-3 consists of a baseplate assembly, support brackets, instrument clamps, wire bundle, sensors and indicating lights. Receptacles are mounted at the rear of the assembly which connect with the airplane wire bundle.

31-11-61

DESCRIPTION & OPERATION

01

Page 1

Jan 01/89

TESTING AND TROUBLE SHOOTING1. Test Equipment

A. Multimeter: Any model in the Simpson 260 series of multimeters/VOMs or equivalent

B. Power Supply: 28v dc, 1.0 ampere maximum

C. Test Connectors:

(1) BACC45FT22-55S8 (mates with D4285J)

(2) BACC45FT16-24S7 (mates with D4513J)

(3) BACC45FT16-24S6 (mates with D5107J)

(4) BACC45FN18A31P (mates with D00113)

(5) BACC45FT20-41S (mates with D6275J)

2. Functional Test

A. See Table 101 for Wire Bundle Index.

B. See Table 102 for Equipment Index.

C. Connect test connectors with module connectors.

D. Perform test steps listed in Table 103 thru Table 110.

NOTE: CON (continuity) is less than 3 ohms. OPEN (open circuit) is greater than 50K Ω .

E. To test wire bundle 286T0015, perform the continuity check per applicable schematic, Fig. 110.

31-11-61

TESTING & TROUBLE SHOOTING

01.1

Page 101

Jul 01/05

TWO CREW CONTROL PANEL ASSEMBLY P/N	AIRPLANE	WIRE BUNDLE W0013 DASH NUMBER	WIRE BUNDLE W0015 DASH NUMBER
233T2222-31	VK031-VK035	101	
233T2222-67	VK046-VK056	101	
	VN211-VN212	101	
	VN251-VN265	101	
233T2222-73	VN111-VN127	101	
	VN130-VN135	101	
233T2222-74	VK131-VK140	101	
233T2222-75	VN038-VN041	101	101
233T2222-80	VL751-VL753	101	
233T2222-81	VB411-VB440	101	
	VB445-VD999	101	
	VE119-VE120	101	
	VE153-VE170	101	
	VE173-VE999	101	
	VF073-VF090	101	
	VF163-VF170	101	
	VF173-VF179	101	
	VF182-VF190	601	
	VF251-VF260	101	
	VK015-VK020	101	
	VK023-VK030	101	

Wire Bundle Index
 Table 101 (Sheet 1)

31-11-61


BOEING
 COMPONENT
 MAINTENANCE MANUAL

TWO CREW CONTROL PANEL ASSEMBLY P/N	AIRPLANE	WIRE BUNDLE W0013 DASH NUMBER	WIRE BUNDLE W0015 DASH NUMBER
233T2222-81 (CONT.)	VK113-VK130	101	
	VK144-VK160	101	
	VK165-VK170	101	
	VK172-VK999	101	
	VL704-VL750	101	
	VL811-VM999	101	
	VN065-VN080	101	
	VN096-VN110	101	
	VN159-VN162	101	
	VN169-VN170	101	
	VN174-VN190	101	
	VN197-VN210	101	
	VN225-VN230	101	
	VN244-VN250	101	
	VN293-VN300	101	
	VN315-VN370	101	
	VN373-VN375	101	
	VN377-VN380	101	
	VN388-VN420	101	
	VN424-VN470	101	
	VN473-VN490	101	
	VN514-VN530	101	
	VN533-VN535	101	
	VN538-VN540	101	
	VN543-VN545	101	
	VN548-VN550	101	
VN552-VN555	101		

Wire Bundle Index
Table 101 (Sheet 2)

31-11-61

TESTING & TROUBLE SHOOTING
01.1 Page 103
Jul 01/05

TWO CREW CONTROL PANEL ASSEMBLY P/N	AIRPLANE	WIRE BUNDLE W0013 DASH NUMBER	WIRE BUNDLE W0015 DASH NUMBER
233T2222-81 (CONT.)	VN558-VN560	101	
	VN563-VN630	101	
	VN637-VN650	101	
	VN657-VN670	101	
	VN677-VN680	101	
	VN692-VN730	101	
	VN733-VN750	101	
	VN754-VN790	101	
	VN793-VN810	101	
	VN814-VN820	101	
	VN923-VN930	101	
	VN932-VN950	101	
	VN953-VN960	101	
	VN966-VN970	101	
	VN972-VN999	101	
	VW701-VW770	701	
VW851-VW999	701		
233T2222-82	VN235-VN240	101	
233T2222-83	VK057-VK080	101	
	VN213-VN220	101	
	VN266-VN290	101	
233T2222-84	VN128-VN129	101	
	VN136-VN150	101	
	VB821-VN920	101	

Wire Bundle Index
Table 101 (Sheet 3)

31-11-61


BOEING
 COMPONENT
 MAINTENANCE MANUAL

TWO CREW CONTROL PANEL ASSEMBLY P/N	AIRPLANE	WIRE BUNDLE W0013 DASH NUMBER	WIRE BUNDLE W0015 DASH NUMBER
233T2222-85	VN042-VN050	101	
233T2222-86	VL754-VL790	101	
233T2222-87	VL796-VL810	101	
233T2222-88	VR201-VR201	701	
	VR202-VR209	OAB	
	VR251-VR251	701	
	VR256-VR256	OAC	
	VR401-VR401	101	
	VR421-VR421	101	
	VR422-VR422	OAF	
	VR426-VR426	101	
	VR441-VR441	OAE	
	VR461-VR461	101	
	VS051-VS052	101	
	VS053-VS055	OAE	
	VS061-VS061	101	
	VS091-VS094	101	
	VS095-VS101	OAE	
	VS111-VS111	101	
	VS131-VS132	101	
	VS133-VS133	OAA	
	VS136-VS137	OAE	
	VS176-VS177	101	
	VS186-VS187	101	

Wire Bundle Index
 Table 101 (Sheet 4)

31-11-61

TESTING & TROUBLE SHOOTING
 01.1 Page 105
 Jul 01/05

TWO CREW CONTROL PANEL ASSEMBLY P/N	AIRPLANE	WIRE BUNDLE W0013 DASH NUMBER	WIRE BUNDLE W0015 DASH NUMBER
233T2222-88 (CONT.)	VS206-VS207	101	
	VS208-VS208	OAE	
	VS211-VS211	OAL	
	VS216-VS216	OAN	
	VS261-VS262	101	
	VS301-VS302	OAE	
	VS306-VS307	OAE	
	VS316-VS316	OAE	
	VS321-VS324	OAE	
	VS366-VS367	OAA	
	VS381-VS382	OAA	
	VS401-VS401	OAA	
	233T2222-89	VR471-VR471	101
VR472-VR472		OAF	
VS066-VS070		101	
VS073-VS073		101	
VS074-VS078		OAJ	
VS266-VS268		101	
VS269-VS272		OAD	
233T2222-90	VS196-VS199	101	101
233T2222-91	VS246-VS248	101	
233T2222-93	VS200-VS203	OAP	
233T2222-96	VS391-VS392	OAA	

Wire Bundle Index
Table 101 (Sheet 5)

31-11-61


BOEING
 COMPONENT
 MAINTENANCE MANUAL

TWO CREW CONTROL PANEL ASSEMBLY P/N	AIRPLANE	WIRE BUNDLE W0013 DASH NUMBER	WIRE BUNDLE W0015 DASH NUMBER
233T2222-301	VR081-VR081	OAE	
	VR210-VR211	OBA	
	VR257-VR260	OAE	
	VS056-VS056	OAE	
	VS102-VS104	OAE	
	VS217-VS217	OAE	
	VS231-VS231	OAE	
	VS263-VS263	OAE	
	VS291-VS293	OAE	
	VS303-VS303	OAE	
	VS308-VS311	OAE	
	VS331-VS333	OAE	
	VS336-VS337	OAE	
	VS526-VS526	OAE	
	VS546-VS549	OAE	
	VS701-VS712	OAE	
VS721-VS732	OAE		
VT501-VT510	OAE		
233T2222-302	VS273-VS274	OAJ	
	VS466-VS472	OAJ	
233T2222-303	VS496-VS497	OAJ	
	VS506-VS507	OAJ	
233T2222-304	VS112-VS112	OAG	
233T2222-305	VR423-VR423	OAF	

Wire Bundle Index
 Table 101 (Sheet 6)

31-11-61

TESTING & TROUBLE SHOOTING
 01.1 Page 107
 Jul 01/05

TWO CREW CONTROL PANEL ASSEMBLY P/N	AIRPLANE	WIRE BUNDLE W0013 DASH NUMBER	WIRE BUNDLE W0015 DASH NUMBER
233T2222-306	VS486-VS486	OAH	
233T2222-307	VR471-VR471 VR472-VR472	101 OAF	
233T2222-308	VS246-VS248	101	
233T2222-309	VS751-VS759	OAU	
233T2222-310	VS391-VS392	OAA	
233T2222-311	VR426-VR426	101	
233T2222-312	VR051-VR054	OAS	
233T2222-313	VS113-VS113	OAG	
233T2222-320	VR055-VR060	OAS	
233T2222-321	VR084-VR084 VR086-VR087 VS426-VS428 VS821-VS825 VS841-VS844 VS861-VS861 VS881-VS883 VS891-VS891 VS896-VS896	OAE OAE OAE OAE OAE OAE OAE OAE OAE	
233T2222-322	VS751-VS751	OAU	

Wire Bundle Index
 Table 101 (Sheet 7)

31-11-61

TESTING & TROUBLE SHOOTING
 01.1 Page 108
 Jul 01/05


BOEING
 COMPONENT
 MAINTENANCE MANUAL

WIRE BUNDLE	EQUIPMENT P/N	REFERENCE DESIGNATOR	AIRPLANE
286T0013-0AA	BACC45FN22-55P8	D04285J	
	NEP-24 (VORN51)	D04285JK	
	BACC45FN16-24P7	D04513J	
	NEP-18 (VORN51)	D04513JK	
	BACC45FT22D55S	D04580P	
	BACC45FT22D55S BACC45FN16-24P6	D04586P D05107J	
286T0013-0AB	BACC45FN22-55P8	D04285J	
	NEP-24 (VORN51)	D04285JK	
	BACC45FN16-24P7	D04513J	
	NEP-18 (VORN51)	D04513JK	
	BACC45FT22D55S	D04580P	
	BACC45FT22D55S BACC45FN16-24P6	D04586P D05107J	
286T0013-0AC	BACC45FN22-55P8	D04285J	
	NEP-24 (VORN51)	D04285JK	
	BACC45FN16-24P7	D04513J	
	NEP-18 (VORN51)	D04513JK	
	BACC45FT22D55S	D04580P	
	BACC45FT22D55S BACC45FN16-24P6	D04586P D05107J	

Equipment Index
 Table 102 (Sheet 1)

31-11-61

TESTING & TROUBLE SHOOTING
 01.1 Page 109
 Jul 01/05

**COMPONENT
MAINTENANCE MANUAL**

WIRE BUNDLE	EQUIPMENT P/N	REFERENCE DESIGNATOR	AIRPLANE
286T0013-0AD	BACC45FN22-55P8	D04285J	
	NEP-24 (VORN51)	D04285JK	
	BACC45FN16-24P7	D04513J	
	NEP-18 (VORN51)	D04513JK	
	BACC45FT22D55S	D04580P	
	BACC45FT22D55S	D04586P	
BACC45FN16-24P6	D05107J		
286T0013-0AE	BACC45FN22-55P8	D04285J	
	NEP-24 (VORN51)	D04285JK	
	BACC45FN16-24P7	D04513J	
	NEP-18 (VORN51)	D04513JK	
	BACC45FT22D55S	D04580P	
	BACC45FT22D55S	D04586P	
BACC45FN16-24P6	D05107J		
286T0013-0AF	BACC45FN22-55P8	D04285J	
	NEP-24 (VORN51)	D04285JK	
	BACC45FN16-24P7	D04513J	
	NEP-18 (VORN51)	D04513JK	
	BACC45FT22D55S	D04580P	
	BACC45FT22D55S	D04586P	
BACC45FN16-24P6	D05107J		

Equipment Index
Table 102 (Sheet 2)

31-11-61

TESTING & TROUBLE SHOOTING

01.1

Page 110

Jul 01/05


BOEING
 COMPONENT
 MAINTENANCE MANUAL

WIRE BUNDLE	EQUIPMENT P/N	REFERENCE DESIGNATOR	AIRPLANE
286T0013-0AG	BACC45FN22-55P8	D04285J	
	NEP-24 (VORN51)	D04285JK	
	BACC45FN16-24P7	D04513J	
	NEP-18 (VORN51)	D04513JK	
	BACC45FT22D55S	D04580P	
	BACC45FT22D55S BACC45FN16-24P6	D04586P D05107J	
286T0013-0AH	BACC45FN22-55P8	D04285J	
	NEP-24 (VORN51)	D04285JK	
	BACC45FN16-24P7	D04513J	
	NEP-18 (VORN51)	D04513JK	
	BACC45FT22D55S	D04580P	
	BACC45FT22D55S BACC45FN16-24P6	D04586P D05107J	
286T0013-0AJ	BACC45FN22-55P8	D04285J	
	NEP-24 (VORN51)	D04285JK	
	BACC45FN16-24P7	D04513J	
	NEP-18 (VORN51)	D04513JK	
	BACC45FT22D55S	D04580P	
	BACC45FT22D55S BACC45FN16-24P6	D04586P D05107J	

Equipment Index
 Table 102 (Sheet 3)

31-11-61

TESTING & TROUBLE SHOOTING
 01.1 Page 111
 Jul 01/05

WIRE BUNDLE	EQUIPMENT P/N	REFERENCE DESIGNATOR	AIRPLANE
286T0013-0AL	BACC45FN22-55P8	D04285J	
	NEP-24 (VORN51)	D04285JK	
	BACC45FN16-24P7	D04513J	
	NEP-18 (VORN51)	D04513JK	
	BACC45FT22D55S	D04580P	
	BACC45FT22D55S	D04586P	
BACC45FN16-24P6	D05107J		
286T0013-0AN	BACC45FN22-55P8	D04285J	
	NEP-24 (VORN51)	D04285JK	
	BACC45FN16-24P7	D04513J	
	NEP-18 (VORN51)	D04513JK	
	BACC45FT22D55S	D04580P	
	BACC45FT22D55S	D04586P	
BACC45FN16-24P6	D05107J		
286T0013-0AP	BACC45FN22-55P8	D04285J	
	NEP-24 (VORN51)	D04285JK	
	BACC45FN16-24P7	D04513J	
	NEP-18 (VORN51)	D04513JK	
	BACC45FT22D55S	D04580P	
	BACC45FT22D55S	D04586P	
BACC45FN16-24P6	D05107J		

Equipment Index
 Table 102 (Sheet 4)

31-11-61

TESTING & TROUBLE SHOOTING
 01.1 Page 112
 Jul 01/05


BOEING
 COMPONENT
 MAINTENANCE MANUAL

WIRE BUNDLE	EQUIPMENT P/N	REFERENCE DESIGNATOR	AIRPLANE
286T0013-0AS	BACC45FN22-55P8	D04285J	
	NEP-24 (VORN51)	D04285JK	
	BACC45FN16-24P7	D04513J	
	NEP-18 (VORN51)	D04513JK	
	BACC45FT22D55S	D04580P	
	BACC45FT22D55S	D04586P	
286T0013-0AU	BACC45FN16-24P6	D05107J	
	BACC45FN22-55P8	D04285J	
	NEP-24 (VORN51)	D04285JK	
	BACC45FN16-24P7	D04513J	
	NEP-18 (VORN51)	D04513JK	
	BACC45FT22D55S	D04580P	
286T0013-0BA	BACC45FT22D55S	D04586P	
	BACC45FN16-24P6	D05107J	
	BACC45FN22-55P8	D04285J	
	NEP-24 (VORN51)	D04285JK	
	BACC45FN16-24P7	D04513J	
	NEP-18 (VORN51)	D04513JK	
	BACC45FT22D55S	D04580P	
	BACC45FT22D55S	D04586P	
	BACC45FN16-24P6	D05107J	

Equipment Index
 Table 102 (Sheet 5)

31-11-61

TESTING & TROUBLE SHOOTING
 01.1 Page 113
 Jul 01/05

**COMPONENT
MAINTENANCE MANUAL**

WIRE BUNDLE	EQUIPMENT P/N	REFERENCE DESIGNATOR	AIRPLANE
286T0013-101	BACC45FN22-55P8 NEP-24 (VORN51) BACC45FN16-24P7 NEP-18 (VORN51) BACC45FT22D55S BACC45FT22D55S BACC45FN16-24P6	D04285J D04285JK D04513J D04513JK D04580P D04586P D05107J	
286T0013-601	BACC45FN22-55P8 NEP-24 (VORN51) BACC45FN16-24P7 NEP-18 (VORN51) BACC45FT22D55S BACC45FT22D55S BACC45FN16-24P6	D04285J D04285JK D04513J D04513JK D04580P D04586P D05107J	
286T0013-701	BACC45FN22-55P8 NEP-24 (VORN51) BACC45FN16-24P7 NEP-18 (VORN51) BACC45FT22D55S BACC45FT22D55S BACC45FN16-24P6	D04285J D04285JK D04513J D04513JK D04580P D04586P D05107J	
286T0015-101	BACC45FT18A31S BACC45FN20-41P	D00113 D06275J	

Equipment Index
Table 102 (Sheet 6)

31-11-61

TESTING & TROUBLE SHOOTING

01.1

Page 114

Jul 01/05


BOEING
 COMPONENT
 MAINTENANCE MANUAL

Test Procedure	Required Results	Component Tested
Apply 28v dc to pins: D4285J-4,-5 D4513J-14,-16 D5107J-9 Apply 5Vac to pin D4285J-6 Apply ground to pins listed, one at a time, unless otherwise noted.		
<u>All assemblies</u>	<u>Illuminated (Bright *[1])</u>	
D4285J-23	L890 WINDSHEAR	L890
-18	L716 SPEED BRAKES	L716
-1	L587 OUTER	L587
-2	L586 MIDDLE	L586
-3	L585 INNER/AIRWAYS	L585
-42	L474 L ENG OIL PRESS	L474
-31	M779 CONFIG	M779
-33	M779 PULL UP	M779
-40	M779 CABIN ALT	M779
-34	S16 GND PROX & G/S INHIB	S16
-32	L136 ALT ALERT	L136
-30	L603 FMC	L603
-28	L591 A/ T DISC	L591
-17	S547 VALVE	S547
D4513J-3	L605 BRAKE SOURCE	L605
-2	M779 FIRE	M779

286T0013-0AA, -0AC, -0AD, -0AE, -0AG, -0AJ, -0AL, -0AN, -601

Test Procedure
 Table 103 (Sheet 1)

31-11-61

TESTING & TROUBLE SHOOTING

01.1

Page 115

Jul 01/05

Test Procedure	Required Results	Component Tested
D5107J-11 -1 -13	L119 AUTO BRAKES L19 AUTO PILOT L475 R ENG OIL PRESS	L119 L19 L475
D4285J-29 AND D5107J-4	M779 OVSPD	M779
D4513J-1 AND D5107J-2	M779 A/P DISC	M779
	<u>Illuminated (Bright *[1])</u>	
D4285J-8	L890 WINDSHEAR S16 GND PROX G/S INHIB L716 SPEED BRAKES	L890 S16 L716
	<u>Illuminated (Dim *[2])</u>	
	M779 PULL UP M779 CABIN ALT	M779
	<u>Illuminated (Bright *[1])</u>	
D5107J-7	L119 AUTO BRAKES L19 AUTO PILOT L591 A/T DISC L603 FMC L136 ALT ALERT	L119 L19 L591 L603 L136

286T0013-0AA, -0AC, -0AD, -0AE, -0AG, -0AJ, -0AL, -0AN, -601
 Test Procedure
 Table 103 (Sheet 2)

31-11-61

TESTING & TROUBLE SHOOTING
 01.1 Page 116
 Jul 01/05


BOEING
 COMPONENT
 MAINTENANCE MANUAL

Test Procedure	Required Results	Component Tested
D4513J-15	<u>Illuminated (Dim *[2])</u>	M779
	M779 CONFIG	
	M779 A/P DISC	
	M779 OVSPD	
D4513J-15	<u>Illuminated (Bright *[1])</u>	L605 S547 L585 L586 L587 L474 L475
	L605 BRAKE SOURCE	
	S547 VALVE	
	L585 INNER/AIRWAYS	
	L586 MIDDLE	
	L587 OUTER	
	L474 L ENG OIL PRESS	
	L475 R ENG OIL PRESS	
D4513J-15	<u>Illuminated (Dim *[2])</u>	M779
	M779 CONFIG	
	M779 A/P DISC	
	M779 PULL UP	
	M779 OVSPD	
	M779 CABIN ALT	
	M779 FIRE	
D4285J-7 and depress switch S547.	S547 ON illuminates	S547

286T0013-0AA, -0AC, -0AD, -0AE, -0AG, -0AJ, -0AL, -0AN, -601
 Test Procedure
 Table 103 (Sheet 3)

31-11-61

TESTING & TROUBLE SHOOTING
 01.1 Page 117
 Jul 01/05

Test Procedure	Required Results	Component Tested
Disconnect 28v dc from pins: D4285J-4,-5 D4513J-14,-16 D5107J-9		
Disconnect 5Vac from D4285J-6		
Measure resistance between pins: D4285J-15 and -12 D4285J-10 and -22 D4285J-13 and -14	CON CON CON	S547
Release switch S547.	S547 ON extinguishes	S547
Measure resistance between pins: D4285J-15 and -12 D4285J-10 and -22 D4285J-13 and -14	OPEN OPEN OPEN	S547
Depress switch S16.		
Measure resistance between pins D4285J-35 and -36.	OPEN	S16
Release switch S16.		
Measure resistance between pins D4285J-35 and -36.	CON	S16
Depress switch S10170.		

286T0013-0AA, -0AC, -0AD, -0AE, -0AG, -0AJ, -0AL, -0AN, -601

Test Procedure
Table 103 (Sheet 4)

31-11-61

TESTING & TROUBLE SHOOTING

01.1

Page 118

Jul 01/05


BOEING
 COMPONENT
 MAINTENANCE MANUAL

Test Procedure	Required Results	Component Tested
Measure resistance between pins D4285J-25 and -26. Release switch S10170.	CON	S10170
Measure resistance between pins D4285J-25 and -26. Depress switch S10230.	OPEN	S10170
Measure resistance between pins D4285J-25 and -27. Release switch S10230.	CON	S10230
Measure resistance between pins D4285J-25 and -27. Apply 28v dc to pins D4285J-47 and D4513J-11. Apply ground to pins D4285J-49 and D4513J-13. Expose TS281 to bright room light.	OPEN	S10230
Measure voltage between pins: D4285J-48(+) and -49(-) D4513J-12(+) and -13(-) Cover TS281 to approximate total darkness.	27-29v dc 27-29v dc	TS281

286T0013-0AA, -0AC, -0AD, -0AE, -0AG, -0AJ, -0AL, -0AN, -601

Test Procedure
Table 103 (Sheet 5)

31-11-61

TESTING & TROUBLE SHOOTING
01.1 Page 119
Jul 01/05

Test Procedure	Required Results	Component Tested
<p>Measure voltage between pins: D4285J-48(+) and -49(-) D4513J-12(+) and -13(-)</p> <p>Remove cover from TS281.</p> <p>Remove 28v dc from pins D4285J-47 and D4513J-11.</p> <p>Remove ground from pins D4285J-49 and D4513J-13.</p> <p>Apply 28v dc to pins: D4285J-1,-2,-3,-8,-17,-18,-23, -28 thru -34,-40,-42 D4513J-1,-2,-3,-15 D5107J-1,-2,-4,-7,-11,-13</p> <p>Apply ground to pins: D4285J-4,-5 D4513J-14,-16 D5107J-9</p> <p>Remove power, ground and disconnect test connectors</p>	<p>27-29v dc 27-29v dc</p> <p>No indicators illuminated.</p>	<p>TS281</p> <p>L19,L119,L136, L474,L475,L585, L586,L587,L591, L603,L605,L716, L890,M779,S16, S547</p>

*[1] Bright – Both lamps illuminated

*[2] Dim – One lamp of dual lamp indicator illuminated

286T0013-0AA, -0AC, -0AD, -0AE, -0AG, -0AJ, -0AL, -0AN, -601
Test Procedure
Table 103 (Sheet 6)

31-11-61

TESTING & TROUBLE SHOOTING
01.1 Page 120
Jul 01/05


BOEING
 COMPONENT
 MAINTENANCE MANUAL

Test Procedure	Required Results	Component Tested
Apply 28v dc to pins: D4285J-4,-5,-54 *[3] D4513J-14,-16 D5107J-9 Apply 5Vac to pin D4285J-6 Apply ground to pins listed, one at a time, unless otherwise noted.		
<u>All assemblies</u>	<u>Illuminated (Bright *[1])</u>	
D4285J-23	L890 WINDSHEAR	L890
-18	L716 SPEED BRAKES	L716
-1	L587 OUTER	L587
-2	L586 MIDDLE	L586
-3	L585 INNER/AIRWAYS	L585
-42	L474 L ENG OIL PRESS	L474
-31	M779 CONFIG	M779
-33	M779 PULL UP	M779
-40	M779 CABIN ALT	M779
-34	S16 GND PROX & GS INHIB	S16
-32	L136 ALT ALERT	L136
-30	L603 FMC	L603
-28	L591 A/T DISC	L591
-17	S547 VALVE	S547
-45 *[3]	L9056 FAIL	L9056
-55 *[3]	L9056 FAIL	L9056

286T0013-0AB, -0BA, -701
 Test Procedure
 Table 104 (Sheet 1)

31-11-61

TESTING & TROUBLE SHOOTING
 01.1 Page 121
 Jul 01/05

Test Procedure	Required Results	Component Tested
D4513J-3 -2	L605 BRAKE SOURCE M779 FIRE	L605 M779
D5107J-11 -1 -13	L119 AUTO BRAKES L19 AUTO PILOT L475 R ENG OIL PRESS	L119 L19 L475
D4285J-29 AND D5107J-4	M779 OVSPD	M779
D4513J-1 AND D5107J-2	M779 A/P DISC <u>Illuminated (Bright *[1])</u>	M779
D4285J-8	L890 WINDSHEAR S16 GND PROX G/S INHIB L716 SPEED BRAKES <u>Illuminated (Dim *[2])</u> M779 PULL UP M779 CABIN ALT <u>Illuminated (Bright *[1])</u>	L890 S16 L716 M779
D5107J-7	L119 AUTO BRAKES L19 AUTO PILOT L591 A/T DISC L603 FMC L136 ALT ALERT	L119 L19 L591 L603 L136

286T0013-0AB, -0BA, -701
 Test Procedure
 Table 104 (Sheet 2)

31-11-61

TESTING & TROUBLE SHOOTING
 01.1 Page 122
 Jul 01/05


BOEING
 COMPONENT
 MAINTENANCE MANUAL

Test Procedure	Required Results	Component Tested
D4513J-15	<u>Illuminated (Dim *[2])</u>	M779
	M779 CONFIG	
	M779 A/P DISC	
	M779 OVSPD	
D4513J-15	<u>Illuminated (Bright *[1])</u>	L605 S547 L585 L586 L587 L474 L475
	L605 BRAKE SOURCE	
	S547 VALVE	
	L585 INNER/AIRWAYS	
	L586 MIDDLE	
	L587 OUTER	
	L474 L ENG OIL PRESS	
	L475 R ENG OIL PRESS	
D4513J-15	<u>Illuminated (Dim *[2])</u>	M779
	M779 CONFIG	
	M779 A/P DISC	
	M779 PULL UP	
	M779 OVSPD	
	M779 CABIN ALT	
	M779 FIRE	
D4285J-7 and depress switch S547.	S547 ON illuminates	S547

286T0013-0AB, -0BA, -701
 Test Procedure
 Table 104 (Sheet 3)

31-11-61

TESTING & TROUBLE SHOOTING
 01.1 Page 123
 Jul 01/05

Test Procedure	Required Results	Component Tested
Depress L9056 *[3]	L9056 OVRD illuminates	L9056
Disconnect 28v dc from pins: D4285J-4,-5,-6,-54 D4513J-14,-16 D5107J-9		
Disconnect 5Vac from D4285J-6		
Measure resistance between pins: D4285J-15 and -12	CON	S547
D4285J-10 and -22	CON	
D4285J-13 and -14	CON	
D4285J-43 and -44 *[3]	CON	L9056
Release switch S547.	S547 ON extinguishes	S547
Release L9056 *[3]	L9056 OVRD extinguishes	L9056
Measure resistance between pins: D4285J-15 and -12	OPEN	S547
D4285J-10 and -22	OPEN	
D4285J-13 and -14	OPEN	
D4285J-43 and -44	OPEN	L9056
Depress switch S16.		
Measure resistance between pins D4285J-35 and -36.	OPEN	S16
Release switch S16.		

286T0013-0AB, -0BA, -701
 Test Procedure
 Table 104 (Sheet 4)

31-11-61

TESTING & TROUBLE SHOOTING
 01.1 Page 124
 Jul 01/05


BOEING
 COMPONENT
 MAINTENANCE MANUAL

Test Procedure	Required Results	Component Tested
Measure resistance between pins D4285J-35 and -36. Depress switch S10170.	CON	S16
Measure resistance between pins D4285J-25 and -26. Release switch S10170.	CON	S10170
Measure resistance between pins D4285J-25 and -26. Depress switch S10230.	OPEN	S10170
Measure resistance between pins D4285J-25 and -27. Release switch S10230.	CON	S10230
Measure resistance between pins D4285J-25 and -27. Apply 28v dc to pins D4285J-47 and D4513J-11. Apply ground to pins D4285J-49 and D4513J-13. Expose TS281 to bright room light.	OPEN	S10230
Measure voltage between pins: D4285J-48(+) and -49(-) D4513J-12(+) and -13(-)	27-29v dc 27-29v dc	TS281

286T0013-0AB, -0BA, -701
 Test Procedure
 Table 104 (Sheet 5)

31-11-61

TESTING & TROUBLE SHOOTING
 01.1 Page 125
 Jul 01/05


BOEING
 COMPONENT
 MAINTENANCE MANUAL

Test Procedure	Required Results	Component Tested
Apply 28v dc to pins: D4285J-4,-5 D4513J-14,-16 D5107J-9 Apply 5Vac to pin D4285J-6 Apply ground to pins listed, one at a time, unless otherwise noted.		
<u>All assemblies</u>	<u>Illuminated (Bright *[1])</u>	
D4285J-23	L890 WINDSHEAR	L890
-18	L716 SPEED BRAKES	L716
-1	L587 OUTER	L587
-2	L586 MIDDLE	L586
-3	L585 INNER/AIRWAYS	L585
-42	L474 L ENG OIL PRESS	L474
-31	M779 CONFIG	M779
-33	M779 PULL UP	M779
-40	M779 CABIN ALT	M779
-34	S16 GND PROX & G/S INHIB	S16
-32	L136 ALT ALERT	L136
-30	L603 FMC	L603
-28	L591 A/T DISC	L591
-17	S547 VALVE	S547

286T0013-0AF
 Test Procedure
 Table 105 (Sheet 1)

31-11-61

TESTING & TROUBLE SHOOTING
 01.1 Page 127
 Jul 01/05

Test Procedure	Required Results	Component Tested
D4513J-3 -2	L605 BRAKE SOURCE M779 FIRE	L605 M779
D5107J-11 -1 -13	L119 AUTO BRAKES L19 AUTO PILOT L475 R ENG OIL PRESS	L119 L19 L475
D4285J-29 AND D5107J-4	M779 OVSPD	M779
D4513J-1 AND D5107J-2	M779 A/P DISC	M779
	<u>Illuminated (Bright *[1])</u>	
D4285J-8	L890 WINDSHEAR L587 OUTER L586 MIDDLE L585 INNER/AIRWAYS S16 GND PROX G/S INHIB L716 SPEED BRAKES	L890 L587 L586 L585 S16 L716
	<u>Illuminated (Dim *[2])</u>	
	M779 PULL UP M779 CABIN ALT	M779

286T0013-0AF
 Test Procedure
 Table 105 (Sheet 2)

31-11-61

TESTING & TROUBLE SHOOTING
 01.1 Page 128
 Jul 01/05


BOEING
 COMPONENT
 MAINTENANCE MANUAL

Test Procedure	Required Results	Component Tested
D5107J-7	<u>Illuminated (Bright *[1])</u>	
	L119 AUTO BRAKES L19 AUTO PILOT L591 A/T DISC L603 FMC L136 ALT ALERT	L119 L19 L591 L603 L136
D4513J-15	<u>Illuminated (Dim *[2])</u>	
	M779 CONFIG M779 A/P DISC M779 OVSPD M779 FIRE	M779
D4513J-15	<u>Illuminated (Bright *[1])</u>	
	L605 BRAKE SOURCE S547 VALVE L474 L ENG OIL PRSS L475 R ENG OIL PRESS	L605 S547 L474 L475

286T0013-0AF
 Test Procedure
 Table 105 (Sheet 3)

31-11-61

TESTING & TROUBLE SHOOTING
 01.1 Page 129
 Jul 01/05

Test Procedure	Required Results	Component Tested
	<u>ILLUMINATED (Dim *[2])</u>	
	M779 CONFIG M779 A/P DISC M779 PULL UP M779 OVSPD M779 CABIN ALT M779 FIRE	M779
D4285J-7 and depress switch S547. Disconnect 28v dc from pins: D4285J-4,-5 D4513J-14,-16 D5107J-9 Disconnect 5Vac from D4285J-6 Measure resistance between pins: D4285J-15 and -12 D4285J-10 and -22 D4285J-13 and -14	S547 ON illuminates	S547
Release switch S547.	S547 ON extinguishes	S547
Measure resistance between pins: D4285J-15 and -12 D4285J-10 and -22 D4285J-13 and -14	CON CON CON	S547
Depress switch S16.	OPEN OPEN OPEN	S547

286T0013-0AF
 Test Procedure
 Table 105 (Sheet 4)

31-11-61

TESTING & TROUBLE SHOOTING
 01.1 Page 130
 Jul 01/05


BOEING
 COMPONENT
 MAINTENANCE MANUAL

Test Procedure	Required Results	Component Tested
Measure resistance between pins D4285J-35 and -36. Release switch S16.	OPEN	S16
Measure resistance between pins D4285J-35 and -36. Depress switch S10170.	CON	S16
Measure resistance between pins D4285J-25 and -26. Release switch S10170.	CON	S10170
Measure resistance between pins D4285J-25 and -26. Depress switch S10230.	OPEN	S10170
Measure resistance between pins D4285J-25 and -27. Release switch S10230.	CON	S10230
Measure resistance between pins D4285J-25 and -27. Apply 28v dc to pins D4285J-47 and D4513J0-11. Apply ground to pins D4285J-49 and D4513J-13. Expose TS281 to bright room light.	OPEN	S10230

286T0013-0AF
 Test Procedure
 Table 105 (Sheet 5)

31-11-61

TESTING & TROUBLE SHOOTING
 01.1 Page 131
 Jul 01/05

Test Procedure	Required Results	Component Tested
Measure voltage between pins: D4285J-48(+) and -49(-) D4513J-12(+) and -13(-)	27-29v dc 27-29v dc	TS281
Cover TS281 to approximate total darkness.		
Measure voltage between pins: D4285J-48(+) and -49 (-) D4513J-12(+) and -13(-)	27-29v dc 27-29v dc	TS281
Remove cover from TS281.		
Remove 28v dc from pins D4285J-47 and D4513J-11.		
Remove ground from pins D4285J-49 and D4513J-13.		
Apply 28v dc to pins: D4285J-1,-2,-3,-8,-17,-18,-23,-28 thru -34,-40,-42 D4513J-1,-2,-3,-15 D5107J-1,-2,-4,-7,-11,-13		
Apply ground to pins: D4285J-4,-5 D4513J-14,-16 D5107J-9	No indicators illuminated.	L19,L119,L136, L474,L475,L585, L586,L587,L591, L603,L605,L716, L890,M779,S16, S547
Remove power, ground and disconnect test connectors.		

*[1] Bright - Both lamps illuminated

*[2] Dim - One lamp of dual lamp indicator illuminated

286T0013-0AF
 Test Procedure
 Table 105 (Sheet 6)

31-11-61

TESTING & TROUBLE SHOOTING

01.1 Page 132

Jul 01/05


BOEING
 COMPONENT
 MAINTENANCE MANUAL

Test Procedure	Required Results	Component Tested
Apply 28v dc to pins: D4285J-4,-5 D4513J-14,-16 D5107J-9 Apply 5Vac to pin D4285J-6 Apply ground to pins listed, one at a time, unless otherwise noted.		
<u>All assemblies</u>	<u>Illuminated (Bright *[1])</u>	
D4285J-23	L890 WINDSHEAR	L890
-18	L716 SPEED BRAKES	L716
-1	L587 OUTER	L587
-2	L586 MIDDLE	L586
-3	L585 INNER/AIRWAYS	L585
-42	L474 L ENG OIL PRESS	L474
-31	M779 CONFIG	M779
-33	M779 PULL UP	M779
-40	M779 CABIN ALT	M779
-34	S16 GND PROX & G/S INHIB	S16
-32	L136 ALT ALERT	L136
-30	L603 FMC	L603
-28	L591 A/T DISC	L591
-17	S547 VALVE	S547

286T0013-0AH
 Test Procedure
 Table 106 (Sheet 1)

31-11-61

TESTING & TROUBLE SHOOTING
 01.1 Page 133
 Jul 01/05

Test Procedure	Required Results	Component Tested
D4513J-3 -2	L605 BRAKE SOURCE M779 FIRE	L605 M779
D5107J-11 -1 -13	L119 AUTO BRAKES L19 AUTO PILOT L475 R ENG OIL PRESS	L119 L19 L475
D4285J-29 AND D5107J-4	M779 OVSPD	M779
D4513J-1 AND D5107J-2	M779 A/P DISC <u>Illuminated (Bright *[1])</u>	M779
D4285J-8	L890 WINDSHEAR S16 GND PROX G/S INHIB L716 SPEED BRAKES <u>Illuminated (Dim *[2])</u>	L890 S16 L716
	M779 PULL UP M779 CABIN ALT <u>Illuminated (Bright *[1])</u>	M779
D5107J-7	L119 AUTO BRAKES L591 A/T DISC L603 FMC L136 ALT ALERT	L119 L591 L603 L136

286T0013-0AH
 Test Procedure
 Table 106 (Sheet 2)

31-11-61

TESTING & TROUBLE SHOOTING
 01.1 Page 134
 Jul 01/05


BOEING
 COMPONENT
 MAINTENANCE MANUAL

Test Procedure	Required Results	Component Tested
D4513J-15	<u>Illuminated (Dim *[2])</u>	M779
	M779 CONFIG	
	M779 A/P DISC	
	M779 OVSPD	
	M779 FIRE	L605 S547 L585 L586 L587 L474 L475 L19
	<u>Illuminated (Bright *[1])</u>	
	L605 BRAKE SOURCE	
	S547 VALVE	
	L585 INNER/AIRWAYS	L585 L586 L587 L474 L475 L19
	L586 MIDDLE	
L587 OUTER		
L474 L ENG OIL PRESS		
L475 R ENG OIL PRESS	L474 L475 L19	
L19 AUTO PILOT		
<u>Illuminated (Dim *[2])</u>		
M779 CONFIG		
M779 A/P DISC	M779	
M779 PULL UP		
M779 OVSPD		
M779 CABIN ALT		
M779 FIRE	L474 L475 L19	
<u>Illuminated (Dim *[2])</u>		
M779 CONFIG		
M779 A/P DISC		
M779 PULL UP	M779	
M779 OVSPD		
M779 CABIN ALT		
M779 FIRE		
D4285J-7 and depress switch S547.	S547 ON illuminates	s547

286T0013-0AH
 Test Procedure
 Table 106 (Sheet 3)

31-11-61

TESTING & TROUBLE SHOOTING
 01.1 Page 135
 Jul 01/05

Test Procedure	Required Results	Component Tested
Disconnect 28v dc from pins: D4285J-4,-5 D4513J-14,-16 D5107J-9		
Disconnect 5Vac from D4285J-6		
Measure resistance between pins: D4285J-15 and -12 D4285J-10 and -22 D4285J-13 and -14	CON CON CON	S547
Release switch S547.	S547 ON extinguishes	S547
Measure resistance between pins: D4285J-15 and -12 D4285J-10 and -22 D4285J-13 and -14	OPEN OPEN OPEN	S547
Depress switch S16.		
Measure resistance between pins D4285J-35 and -36.	OPEN	S16
Release switch S16.		
Measure resistance between pins D4285J-35 and -36.	CON	S16
Depress switch S10170.		

286T0013-0AH
 Test Procedure
 Table 106 (Sheet 4)

31-11-61

TESTING & TROUBLE SHOOTING
 01.1 Page 136
 Jul 01/05


BOEING
 COMPONENT
 MAINTENANCE MANUAL

Test Procedure	Required Results	Component Tested
Measure resistance between pins D4285J-25 and -26. Release switch S10170.	CON	S10170
Measure resistance between pins D4285J-25 and -26. Depress switch S10230.	OPEN	S10170
Measure resistance between pins D4285J-25 and -27. Depress switch S10230.	CON	S10230
Measure resistance between pins D4285J-25 and -27. Apply 28v dc to pins D4285J-47 and D4513J-11. Apply ground to pins D4285J-49 and D4513J-13. Expose TS281 to bright room light.	OPEN	S10230
Measure voltage between pins: D4285J-48(+) and -49(-) D4513J-12(+) and -13(-)	27-29v dc 27-29v dc	TS281

286T0013-0AH
Test Procedure
Table 106 (Sheet 5)

31-11-61

 TESTING & TROUBLE SHOOTING
 01.1 Page 137
 Jul 01/05

Test Procedure	Required Results	Component Tested
Cover TS281 to approximate total darkness. Measure voltage between pins: D4285J-48(+) and -49(-) D4513J-12(+) and -13(-) Remove cover from TS281. Remove 28v dc from pins D4285J-47 and D4513J-11. Remove ground from pins D4285J-49 and D4513J-13. Apply 28v dc to pins: D4285J-1,-2,-3,-8,-17,-18,-23,-28 thru -34,-40,-42 D4513J-1,-2,-3,-15 D5107J-1,-2,-4,-7,-11,-13 Apply ground to pins: D4285J-4,-5 D4513J-14,-16 D5107J-9 Remove power, ground and disconnect test connectors.	27-29v dc 27-29v dc No indicators illuminated.	TS281 L19,L119,L136, L474,L475,L585, L586,L587,L591, L603,L605,L716, L890,M779,S16, S547

*[1] Bright - Both lamps illuminated

*[2] Dim - One lamp of dual lamp indicator illuminated

286T0013-0AH
 Test Procedure
 Table 106 (Sheet 6)


BOEING
 COMPONENT
 MAINTENANCE MANUAL

Test Procedure	Required Results	Component Tested
Apply 28v dc to pins: D4285J-4,-5,-54 D4513J-14,-16 D5107J-9 Apply 5Vac to pin D4285J-6 Apply ground to pins listed, one at a time, unless otherwise noted.		
<u>All assemblies</u>	<u>Illuminated (Bright *[1])</u>	
D4285J-23	L890 WINDSHEAR	L890
-18	L716 SPEED BRAKES	L716
-1	L587 OUTER	L587
-2	L586 MIDDLE	L586
-3	L585 INNER/AIRWAYS	L585
-42	L474 L ENG OIL PRESS	L474
-31	M779 CONFIG	M779
-33	M779 PULL UP	M779
-40	M779 CABIN ALT	M779
-34	S16 GND PROX & GS INHIB	S16
-30	L603 FMC	L603
-28	L591 A/T DISC	L591
-17	S547 VALVE	S547
-45	L9056 FAIL	L9056
-55	L9056 FAIL	L9056

286T0013-0AP
 Test Procedure
 Table 107 (Sheet 1)

31-11-61

TESTING & TROUBLE SHOOTING
 01.1 Page 139
 Jul 01/05

Test Procedure	Required Results	Component Tested
D4513J-3 -2	L605 BRAKE SOURCE M779 FIRE	L605 M779
D5107J-11 -1 -13	L119 AUTO BRAKES L19 AUTO PILOT L475 R ENG OIL PRESS	L119 L19 L475
D4285J-29 AND D5107J-4	M779 OVSPD	M779
D4513J-1 AND D5107J-2	M779 A/P DISC <u>Illuminated (Bright *[1])</u>	M779
D4285J-8	L890 WINDSHEAR S16 GND PROX G/S INHIB L716 SPEED BRAKES <u>Illuminated (Dim *[2])</u> M779 PULL UP M779 CABIN ALT <u>Illuminated (Bright *[1])</u>	L890 S16 L716 M779
D5107J-7	L119 AUTO BRAKES L19 AUTO PILOT L591 A/T DISC L603 FMC L681 BLANK	L119 L19 L591 L603 L681

286T0013-0AP
 Test Procedure
 Table 107 (Sheet 2)

31-11-61

TESTING & TROUBLE SHOOTING
 01.1 Page 140
 Jul 01/05


BOEING
 COMPONENT
 MAINTENANCE MANUAL

Test Procedure	Required Results	Component Tested
<p>D4513J-15</p>	<p><u>Illuminated (Dim *[2])</u></p> <p>M779 CONFIG M779 A/P DISC M779 OVSPD M779 FIRE</p> <p><u>Illuminated (Bright *[1])</u></p> <p>L605 BRAKE SOURCE S547 VALVE L585 INNER/AIRWAYS L586 MIDDLE L587 OUTER L474 L ENG OIL PRESS L475 R ENG OIL PRESS</p> <p><u>Illuminated (Dim *[2])</u></p> <p>M779 CONFIG M779 A/P DISC M779 PULL UP M779 OVSPD M779 CABIN ALT M779 FIRE</p>	<p>M779</p> <p>L605 S547 L585 L586 L587 L474 L475</p> <p>M779</p>
<p>D4285J-7 and depress switch S547.</p>	<p>S547 ON illuminates</p>	<p>S547</p>

286T0013-0AP
 Test Procedure
 Table 107 (Sheet 3)

Test Procedure	Required Results	Component Tested
Depress L9056	L9056 OVRD illuminates	L9056
Disconnect 28v dc from pins: D4285J-4,-5,-6,-54 D4513J-14,-16 D5107J-9		
Disconnect 5Vac from D4285J-6		
Measure resistance between pins: D4285J-15 and -12	CON	S547
D4285J-10 and -22	CON	
D4285J-13 and -14	CON	
D4285J-43 and -44	CON	L9056
Release switch S547.	S547 ON extinguishes	S547
Release L9056	L9056 OVRD extinguishes	L9056
Measure resistance between pins: D4285J-15 and -12	OPEN	S547
D4285J-10 and -22	OPEN	
D4285J-13 and -14	OPEN	
D4285J-43 and -44	OPEN	L9056
Depress switch S16.		
Measure resistance between pins D4285J-35 and -36.	OPEN	S16
Release switch S16.		

286T0013-0AP
 Test Procedure
 Table 107 (Sheet 4)

31-11-61

TESTING & TROUBLE SHOOTING
 01.1 Page 142
 Jul 01/05


BOEING
 COMPONENT
 MAINTENANCE MANUAL

Test Procedure	Required Results	Component Tested
Measure resistance between pins D4285J-35 and -36. Depress switch S10170.	CON	S16
Measure resistance between pins D4285J-25 and -26. Release switch S10170.	CON	S10170
Measure resistance between pins D4285J-25 and -26. Depress switch S10230.	OPEN	S10170
Measure resistance between pins D4285J-25 and -27. Depress switch S10230.	CON	S10230
Measure resistance between pins D4285J-25 and -27. Apply 28v dc to pins D4285J-47 and D4513J-11. Apply ground to pins D4285J-49 and D4513J-13. Expose TS281 to bright room light.	OPEN	S10230
Measure voltage between pins: D4285J-48(+) and -49(-) D4513J-12(+) and -13(-)	27-29v dc 27-29v dc	TS281

286T0013-0AP
 Test Procedure
 Table 107 (Sheet 5)

31-11-61

TESTING & TROUBLE SHOOTING
 01.1 Page 143
 Jul 01/05

Test Procedure	Required Results	Component Tested
<p>Cover TS281 to approximate total darkness.</p> <p>Measure voltage between pins: D4285J-48(+) and -49(-) D4513J-12(+) and -13(-)</p> <p>Remove cover from TS281.</p> <p>Remove 28v dc from pins D4285J-47 and D4513J-11.</p> <p>Remove ground from pins D4285J-49 and D4513J-13.</p> <p>Apply 28v dc to pins: D4285J-1,-2,-3,-8,-17,-18,-23,-28 thru -34,-40,-42,-45,-55 D4513J-1,-2,-3,-15 D5107J-1,-2,-4,-7,-11,-13</p> <p>Apply ground to pins: D4285J-4,-5,-54 D4513J-14,-16 D5107J-9</p> <p>Remove power, ground and disconnect test connectors.</p>	<p>27-29v dc 27-29v dc</p> <p>No indicators illuminated.</p>	<p>TS281</p> <p>L19,L119,L136, L474,L475,L585, L586,L587,L591, L603,L605,L716, L890,M779,S16, S547,L9056</p>

*[1] Bright - Both lamps illuminated

*[2] Dim - One lamp of dual lamp indicator illuminated

286T0013-0AP
Test Procedure
Table 107 (Sheet 6)

31-11-61

TESTING & TROUBLE SHOOTING
01.1 Page 144
Jul 01/05


BOEING
 COMPONENT
 MAINTENANCE MANUAL

Test Procedure	Required Results	Component Tested
Apply 28v dc to pins: D4285J-4,-5 D4513J-14,-16 D5107J-9 Apply 5Vac to pin D4285J-6 Apply ground to pins listed, one at a time, unless otherwise noted.		
<u>All assemblies</u>	<u>Illuminated (Bright *[1])</u>	
D4285J-23	L890 WINDSHEAR	L890
-18	L716 SPEED BRAKES	L716
-1	L587 OUTER	L587
-2	L586 MIDDLE	L586
-3	L585 INNER/AIRWAYS	L585
-42	L474 L ENG OIL PRESS	L474
-31	M779 CONFIG	M779
-33	M779 PULL UP	M779
-40	M779 CABIN ALT	M779
-34	S16 GND PROX & GS INHIB	S16
-32	L136 ALT ALERT	L136
-30	L603 FMC	L603
-28	L591 A/T DISC	L591
-17	S547 VALVE	S547

286T0013-0AS
 Test Procedure
 Table 108 (Sheet 1)

31-11-61

TESTING & TROUBLE SHOOTING
 01.1 Page 145
 Jul 01/05

Test Procedure	Required Results	Component Tested
D4513J-3 -2	L605 BRAKE SOURCE M779 FIRE	L605 M779
D5107J-11 -1 -13	L119 AUTO BRAKES L19 AUTO PILOT L475 R ENG OIL PRESS	L119 L19 L475
D4285J-29 AND D5107J-4	M779 OVSPD	M779
D4513J-1 AND D5107J-2	M779 A/P DISC <u>Illuminated (Bright *[1])</u>	M779
D4285J-8	L890 WINDSHEAR S16 GND PROX G/S INHIB L716 SPEED BRAKES <u>Illuminated (Dim *[2])</u> M779 PULL UP M779 CABIN ALT <u>Illuminated (Bright *[1])</u>	L890 S16 L716 M779
D5107J-7	L119 AUTO BRAKES L19 AUTO PILOT L591 A/T DISC L603 FMC L136 ALT ALERT	L119 L19 L591 L603 L136

286T0013-0AS
 Test Procedure
 Table 108 (Sheet 2)

31-11-61

TESTING & TROUBLE SHOOTING
 01.1 Page 146
 Jul 01/05


BOEING
 COMPONENT
 MAINTENANCE MANUAL

Test Procedure	Required Results	Component Tested	
D4513J-15	<u>Illuminated (Dim *[2])</u>	M779	
	M779 CONFIG		
	M779 A/P DISC		
	M779 OVSPD		
D4513J-15	<u>Illuminated (Bright *[1])</u>	L605 S547 L585 L586 L587 L474 L475	
	L605 BRAKE SOURCE		
	S547 VALVE		
	L585 INNER/AIRWAYS		
	L586 MIDDLE		
	L587 OUTER		
	L474 L ENG OIL PRESS		
	L475 R ENG OIL PRESS		
	<u>Illuminated (Dim *[2])</u>		M779
	M779 CONFIG		
M779 A/P DISC			
M779 PULL UP			
M779 OVSPD			
D4285J-7 and depress switch S547.	M779 CABIN ALT	S547	
	M779 FIRE		
	S547 ON illuminates		

286T0013-0AS
 Test Procedure
 Table 108 (Sheet 3)

31-11-61

TESTING & TROUBLE SHOOTING
 01.1 Page 147
 Jul 01/05

Test Procedure	Required Results	Component Tested
Disconnect 28v dc from pins: D4285J-4,-5 D4513J-14,-16 D5107J-9		
Disconnect 5Vac from D4285J-6		
Measure resistance between pins: D4285J-15 and -12 D4285J-10 and -22 D4285J-13 and -14	CON CON CON	S547
Release switch S547.	S547 ON extinguishes	S547
Measure resistance between pins: D4285J-15 and -12 D4285J-10 and -22 D4285J-13 and -14	OPEN OPEN OPEN	S547
Depress switch S16.		
Measure resistance between pins D4285J-35 and -36.	OPEN	S16
Release switch S16.		

286T0013-0AS
 Test Procedure
 Table 108 (Sheet 4)

31-11-61

TESTING & TROUBLE SHOOTING
 01.1 Page 148
 Jul 01/05


BOEING
 COMPONENT
 MAINTENANCE MANUAL

Test Procedure	Required Results	Component Tested
Measure resistance between pins D4285J-35 and -36. Depress switch S10170.	CON	S16
Measure resistance between pins D4285J-25 and -26. Release switch S10170.	CON	S10170
Measure resistance between pins D4285J-25 and -26. Depress switch S10230.	OPEN	S10170
Measure resistance between pins D4285J-25 and -27. Release switch S10230.	CON	S10230
Measure resistance between pins D4285J-25 and -27. Depress switch S918	OPEN	S10230
Measure resistance between pins D4285J-43 and -44 Release switch S918	CON	S918

286T0013-0AP
Test Procedure
Table 107 (Sheet 5)

31-11-61

 TESTING & TROUBLE SHOOTING
 01.1 Page 149
 Jul 01/05

Test Procedure	Required Results	Component Tested
Measure resistance between pins D4285J-43 and -44	OPEN	S918
Apply 28v dc to pins D4285J-47 and D4513J-11.		
Apply ground to pins D4285J-49 and D4513J-13.		
Expose TS281 to bright room light.		
Measure voltage between pins: D4285J-48(+) and -49(-) D4513J-12(+) and -13(-)	27-29v dc 27-29v dc	TS281
Cover TS281 to approximate total darkness.		
Measure voltage between pins: D4285J-48(+) and -49(-) D4513J-12(+) and -13(-)	27-29v dc 27-29v dc	TS281
Remove cover from TS281.		
Remove 28v dc from pins D4285J-47 and D4513J-11.		
Remove ground from pins D4285J-49 and D4513J-13.		

286T0013-0AS
 Test Procedure
 Table 108 (Sheet 6)

31-11-61

TESTING & TROUBLE SHOOTING
 01.1 Page 150
 Jul 01/05


BOEING
 COMPONENT
 MAINTENANCE MANUAL

Test Procedure	Required Results	Component Tested
Apply 28v dc to pins: D4285J-1,-2,-3,-8,-17,-18,-23, -28 thru -34,-40,-42 D4513J-1,-2,-3,-15 D5107J-1,-2,-4,-7,-11,-13 Apply ground to pins: D4285J-4,-5 D4513J-14,-16 D5107J-9 Remove power, ground and disconnect test connectors.	No indicators illuminated.	L19,L119,L136, L474,L475,L585, L586,L587,L591, L603,L605,L716, L890,M779,S16, S547

*[1] Bright - Both lamps illuminated

*[2] Dim - One lamp of dual lamp indicator illuminated

286T0013-0AS
 Test Procedure
 Table 108 (Sheet 7)

31-11-61

TESTING & TROUBLE SHOOTING

01.1

Page 151

Jul 01/05

Test Procedure	Required Results	Component Tested
Apply 28v dc to pins: D4285J-4,-5 D4513J-14,-16 D5107J-9 Apply 5Vac to pin D4285J-6 and D4513J-5. Apply ground to pins listed, one at a time, unless otherwise noted.		
<u>All assemblies</u>	<u>Illuminated (Bright * [1])</u>	
D4285J-23 -18 -1 -2 -3 -42 -31 -33 -40 -34 -30 -28 -17	L890 WINDSHEAR L716 SPEED BRAKES L587 OUTER L586 MIDDLE L585 INNER/AIRWAYS L474 L ENG OIL PRESS M779 CONFIG M779 PULL UP M779 CABIN ALT S16 GND PROX & G/S INHIB L603 FMC L591 A/T DISC S547 VALVE	L890 L716 L587 L586 L585 L474 M779 M779 M779 M779 S16 L603 L591 S547

286T0013-0AU
 Test Procedure
 Table 109 (Sheet 1)

31-11-61


BOEING
 COMPONENT
 MAINTENANCE MANUAL

Test Procedure	Required Results	Component Tested
D4513J-3 -2	L605 BRAKE SOURCE M779 FIRE	L605 M779
D5107J-11 -1 -13	L119 AUTO BRAKES L19 AUTO PILOT L475 R ENG OIL PRESS	L119 L19 L475
D4285J-29 AND D5107J-4	M779 OVSPD	M779
D4513J-1 AND D5107J-2	M779 A/P DISC <u>Illuminated (Bright *[1])</u>	M779
D4285J-8	L890 WINDSHEAR S16 GND PROX G/S INHIB L716 SPEED BRAKES <u>Illuminated (Dim *[2])</u>	L890 S16 L716
	M779 PULL UP M779 CABIN ALT <u>Illuminated (Bright *[1])</u>	M779
D5107J-7	L119 AUTO BRAKES L19 AUTO PILOT L591 A/T DISC L603 FMC L681 BLANK	L119 L19 L591 L603 L681

286T0013-0AU
Test Procedure
Table 109 (Sheet 2)

31-11-61

 TESTING & TROUBLE SHOOTING
 01.1 Page 153
 Jul 01/05

Test Procedure	Required Results	Component Tested
D4513J-15	<u>Illuminated (Dim *[2])</u> M779 CONFIG M779 A/P DISC M779 OVSPD M779 FIRE	M779
	<u>Illuminated (Bright *[1])</u> L605 BRAKE SOURCE S547 VALVE L585 INNER/AIRWAYS L586 MIDDLE L587 OUTER L474 L ENG OIL PRESS L475 R ENG OIL PRESS	L605 S547 L585 L586 L587 L474 L475
D4285J-7 and depress switch S547.	<u>Illuminated (Dim *[2])</u> M779 CONFIG M779 A/P DISC M779 PULL UP M779 OVSPD M779 CABIN ALT M779 FIRE	M779
	S547 ON illuminates	S547

286T0013-0AU
 Test Procedure
 Table 109 (Sheet 3)

31-11-61

TESTING & TROUBLE SHOOTING
 01.1 Page 154
 Jul 01/05


BOEING
 COMPONENT
 MAINTENANCE MANUAL

Test Procedure	Required Results	Component Tested
D4513J-6 and depress switch S962.	S962 illuminates	S962
Disconnect 28v dc from pins: D4285J-4,-5 D4513J-14,-16 D5107J-9		
Disconnect 5Vac from D4285J-6 and D4513J-5.		
Measure resistance between pins: D4285J-15 and -12	CON	S547
D4285J-10 and -22	CON	
D4285J-13 and -14	CON	
D4285J-43 and -44	CON	S962
Release switch S547.	S547 ON extinguishes	S547
Release switch S962.	S962 extinguishes	S962
Measure resistance between pins: D4285J-15 and -12	OPEN	S547
D4285J-10 and -22	OPEN	
D4285J-13 and -14	OPEN	
D4285J-43 and -44	OPEN	S962
Depress switch S16.		
Measure resistance between pins D4285J-35 and -36.	OPEN	S16
Release switch S16.		

286T0013-0AU
 Test Procedure
 Table 109 (Sheet 4)

31-11-61

TESTING & TROUBLE SHOOTING
 01.1 Page 155
 Jul 01/05

Test Procedure	Required Results	Component Tested
Measure resistance between pins D4285J-35 and -36. Depress switch S10170.	CON	S16
Measure resistance between pins D4285J-25 and -26. Release switch S10170.	CON	S10170
Measure resistance between pins D4285J-25 and -26. Depress switch S10230.	OPEN	S10170
Measure resistance between pins D4285J-25 and -27. Release switch S10230.	CON	S10230
Measure resistance between pins D4285J-25 and -27. Apply 28v dc to pins D4285J-47 and D4513J-11. Apply ground to pins D4285J-49 and D4513J-13. Expose TS281 to bright room light.	OPEN	S10230

286T0013-0AU
 Test Procedure
 Table 109 (Sheet 5)

31-11-61

TESTING & TROUBLE SHOOTING
 01.1 Page 156
 Jul 01/05



Test Procedure	Required Results	Component Tested
Measure voltage between pins: D4285J-48(+) and -49(-) D4513J-12(+) and -13(-)	27-29v dc 27-29v dc	TS281
Cover TS281 to approximate total darkness.		
Measure voltage between pins: D4285J-48(+) and -49(-) D4513J-12(+) and -13(-)	27-29v dc 27-29v dc	TS281
Remove cover from TS281.		
Remove 28v dc from pins D4285J-47 and D4513J-11.		
Remove ground from pins D4285J-49 and D4513J-13.		
Apply 28v dc to pins: D4285J-1,-2,-3,-8,-17,-18,-23,-28 thru -34,-40,-42 D4513J-1,-2,-3,-15 D5107J-1,-2,-4,-7,-11,-13		
Apply ground to pins: D4285J-4,-5 D4513J-14,-16 D5107J-9	No indicators illuminated.	L19,L119,L136, L474,L475,L585, L586,L587,L591, L603,L605,L716, L890,M779,S16, S547
Remove power, ground and disconnect test connectors.		

*[1] Bright - Both lamps illuminated

*[2] Dim - One lamp of dual lamp indicator illuminated

286T0013-0AU
 Test Procedure
 Table 109 (Sheet 6)

31-11-61

TESTING & TROUBLE SHOOTING
 01.1 Page 157
 Jul 01/05

Test Procedure	Required Results	Component Tested
Apply 28v dc to pins: D4285J-4,-5,-50 *[4],-51 *[4], -54, *[5] D4513J-14,-16 D5107J-9 D4285J-9 *[3] D5107J-6 *[3] Apply 5Vac to pin D4285J-6. Apply ground to pins listed, one at a time, unless otherwise noted. Apply 5Vac to pin D4285J-6.		
<u>All assemblies</u> D4285J-23 -18 -1 -2 -3 -42 -31 -33 -40 -34 -32 -30 -28 -17 -45 *[5] -55 *[5]	<u>Illuminated (Bright *[1])</u> L890 WINDSHEAR *[7] L716 SPEED BRAKES L587 OUTER L586 MIDDLE L585 INNER/AIRWAYS L474 L ENG OIL PRESS M779 CONFIG M779 PULL UP M779 CABIN ALT S16 GND PROX & GS INHIB L136 ALT ALERT *[6] L603 FMC L591 A/T DISC S547 VALVE L9056 FAIL L9056 FAIL	L890 L716 L587 L586 L585 L474 M779 M779 M779 M779 S16 L136 L603 L591 S547 L9056 L9056

286T0013-101
 Test Procedure
 Table 110 (Sheet 1)

31-11-61


BOEING
 COMPONENT
 MAINTENANCE MANUAL

Test Procedure	Required Results	Component Tested
D4513J-3 -2	L605 BRAKE SOURCE M779 FIRE	L605 M779
D5107J-11 -1 -13	L119 AUTO BRAKES L19 AUTO PILOT L475 R ENG OIL PRESS	L119 L19 L475
D4285J-29 AND D5107J-4	M779 OVSPD	M779
D4513J-1 AND D5107J-2	M779 A/P DISC <u>Illuminated (Bright *[1])</u>	M779
D4285J-8	L890 WINDSHEAR *[7] L587 OUTER *[11] L586 MIDDLE *[11] S16 GND PROX G/S INHIB L716 SPEED BRAKES <u>Illuminated Dim *[2])</u> M779 PULL UP M779 CABIN ALT	L890 L587 L586 S16 L716 M779

286T0013-101
Test Procedure
Table 110 (Sheet 2)

31-11-61

 TESTING & TROUBLE SHOOTING
 01.1 Page 159
 Jul 01/05

Test Procedure	Required Results	Component Tested
D4285J-52 *[13]	<u>Illuminated (Bright *[1])</u>	
	L890 WINDSHEAR S16 GND PROX G/S INHIB L716 SPEED BRAKES	L890 S16 L716
	<u>Illuminated (Dim *[2])</u>	
D4285J-53 *[13]	M779 PULL UP M779 CABIN ALT	M779
	<u>Illuminated (Bright *[1])</u>	
	L890 WINDSHEAR S16 GND PROX G/S INHIB L716 SPEED BRAKES	L890 S16 L716
D5107J-7	<u>Illuminated (Dim *[2])</u>	
	M779 PULL UP M779 CABIN ALT	M779
	<u>Illuminated Bright *[1])</u>	
	L119 AUTO BRAKES L19 AUTO PILOT *[12] L475 R ENG OIL PRESS*[14] L591 A/T DISC L603 FMC L136 ALT ALERT *[6]	L119 L19 L475 L591 L603 L136

286T0013-101
 Test Procedure
 Table 110 (Sheet 3)

31-11-61

TESTING & TROUBLE SHOOTING
 01.1 Page 160
 Jul 01/05


BOEING
 COMPONENT
 MAINTENANCE MANUAL

Test Procedure	Required Results	Component Tested
D4513J-15	<u>Illuminated (Dim *[2])</u>	
	M779 CONFIG	M779
	M779 A/P DISC	
	M779 OVSPD	
	M779 FIRE	
	<u>Illuminated (Bright *[1])</u>	
	L605 BRAKE SOURCE	L605
	S547 VALVE	S547
	L585 INNER/AIRWAYS *[9]	L585
	L586 MIDDLE *[9]	L586
L587 OUTER *[9]	L587	
L474 L ENG OIL PRESS*[10]	L474	
L475 R ENG OIL PRESS *[8]	L475	
D4285J-7 and depress switch S547.	<u>Illuminated (Dim *[2])</u>	
	M779 CONFIG	M779
	M779 A/P DISC	
	M779 PULL UP	
	M779 OVSPD	
	M779 CABIN ALT	
	M779 FIRE	
Depress L9056 *[15]	S547 ON illuminates	S547
	L9056 OVRD illuminates	L9056

286T0013-101
 Test Procedure
 Table 110 (Sheet 4)

31-11-61

 TESTING & TROUBLE SHOOTING
 01.1 Page 161
 Jul 01/05

Test Procedure	Required Results	Component Tested
Disconnect 28v dc from pins: D4285J-4,-5,-50,-51,-54 D4513J-14,-16 D5107J-9 D5107J-6		
Disconnect 5Vac from D4285J-6.		
Measure resistance between pins: D4285J-15 and -12 D4285J-10 and -22 D4285J-13 and -14 *[15] D4285J-43 and -44	CON CON CON CON	S547 S9056
Release switch S547.	S547 ON extinguishes	S547
Release L9056 *[15]	L9056 extinguishes	L9056
Measure resistance between pins: D4285J-15 and -12 D4285J-10 and -22 D4285J-13 and -14 *[15] D4285J-43 and -44	OPEN OPEN OPEN OPEN	S547 L9056
Depress switch S16.		
Measure resistance between pins D4285J-35 and -36.	OPEN	S16
Release switch S16.		

286T0013-101
 Test Procedure
 Table 110 (Sheet 5)

31-11-61

TESTING & TROUBLE SHOOTING
 01.1 Page 162
 Jul 01/05


BOEING
 COMPONENT
 MAINTENANCE MANUAL

Test Procedure	Required Results	Component Tested
Measure resistance between pins D4285J-35 and -36. Depress switch S10170.	CON	S16
Measure resistance between pins D4285J-25 and -26. Release switch S10170.	CON	S10170
Measure resistance between pins D4285J-25 and -26. Depress switch S10230.	OPEN	S10170
Measure resistance between pins D4285J-25 and -27. Release switch S10230.	CON	S10230
Measure resistance between pins D4285J-25 and -27. Depress switch S918 *[16]	OPEN	S10230
*[16] Measure resistance between pins D4285J-43 and -44. Release switch S918 *[16]	CON	S918
*[16] Measure resistance between pins D4285J-43 and -44.	OPEN	S918

286T0013-101
 Test Procedure
 Table 110 (Sheet 6)

31-11-61

TESTING & TROUBLE SHOOTING
 01.1 Page 163
 Jul 01/05

Test Procedure	Required Results	Component Tested
Apply 28v dc to pins D4285J-47 and D4513J-11.		
Apply ground to pins D4285J-49 and D4513J-13.		
Expose TS281 to bright room light.		
Measure voltage between pins: D4285J-48(+) and -49(-) D4513J-12(+) and -13(-)	27-29v dc 27-29v dc	TS281
Cover TS281 to approximate total darkness.		
Measure voltage between pins: D4285J-48(+) and -49(-) D4513J-12(+) and -13(-)	27-29v dc 27-29v dc	TS281
Remove cover from TS281.		
Remove 28v dc from pins D4285J-47 and D4513J-11.		
Remove ground from pins D4285J-49 and D4513J-13.		
Apply 28v dc to pins: D4285J-1,-2,-3,-8,-17,-18,-23, -28 thru -34,-40,-42,-45, -55 D4513J-1,-2,-3,-15 D5107J-1,-2,-4,-7,-11,-13		

286T0013-101
 Test Procedure
 Table 110 (Sheet 7)

31-11-61


BOEING
 COMPONENT
 MAINTENANCE MANUAL

Test Procedure	Required Results	Component Tested
Apply ground to pins: D4285J-4,-5,-9,-50,-51,-54 D4513J-14,-16 D5107J-9,-6 Remove power, ground and disconnect test connectors.	No indicators illuminated.	L19,L119,L136, L474,L475,L585, L586,L587,L591, L603,L605,L716, L890,M779,S16, S547

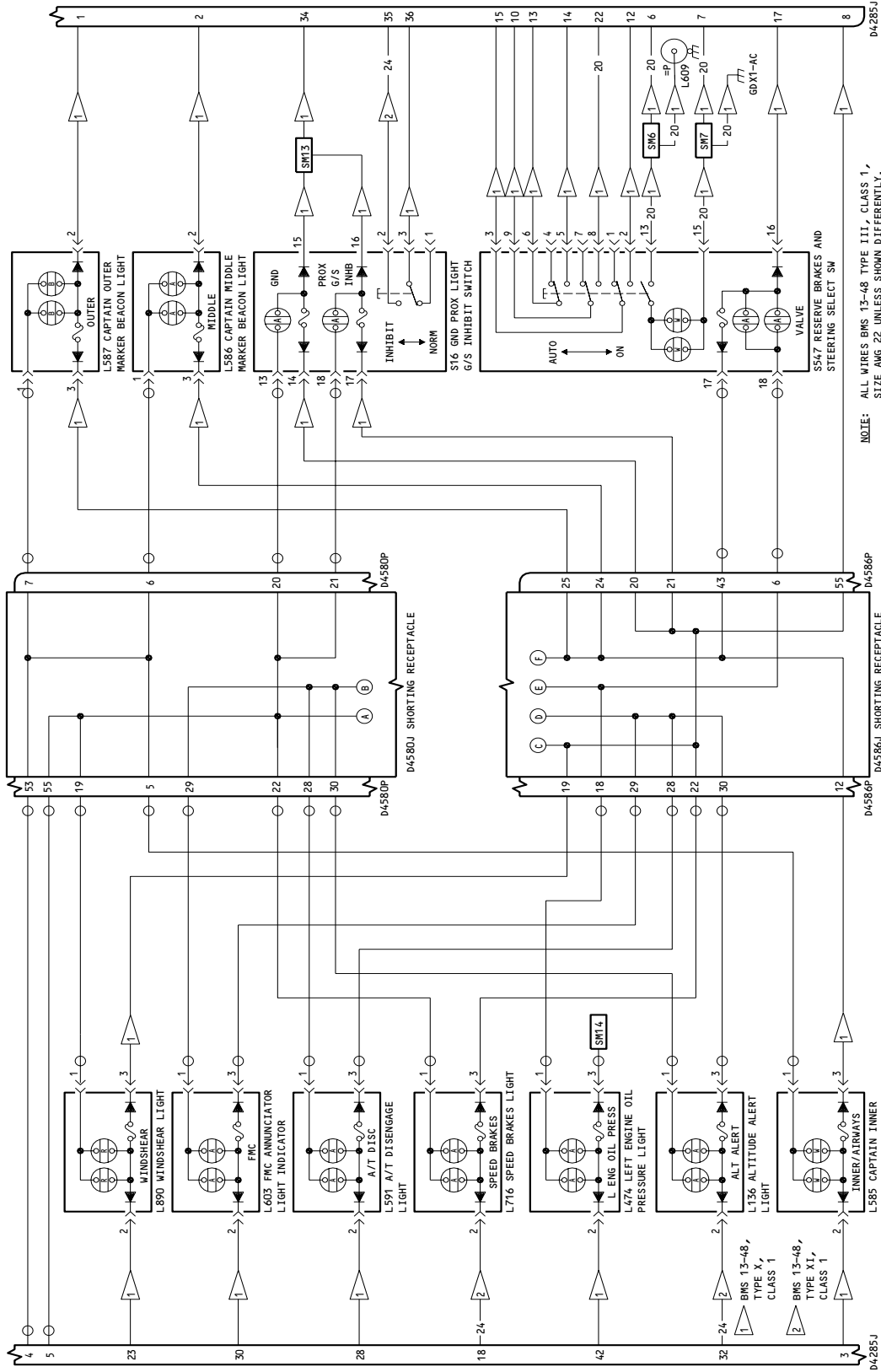
286T0013-101
 Test Procedure
 Table 110 (Sheet 8)

- *[1] Bright - Both lamps illuminated
- *[2] Dim - One lamp of dual lamp indicator illuminated
- *[3] VB421-VB440, VB451-VD999, VK031-VK045 ONLY
- *[4] VN225 ONLY
- *[5] VN001-VN041 ONLY
- *[6] Blank on VN001-VN050, VS196-VS199
- *[7] Blank on VB421-VB440, VB451-VD999
- *[8] ALL EXCEPT VB421-VB440, VB451-VD999, VK031-VK035
- *[9] ALL EXCEPT VB412-VB440, VB445-VD999, VK031-VK080, VK113-VK130,
VK144, VK145, VK149-VK160, VK165-VK170, VK172-VK180, VR401,
VR421, VR426, VR471
- *[10] ALL EXCEPT VB421-VB440, VB451-VD999, VK031-VK045
- *[11] VB412-VB440, VB445-VD999, VK031-VK080, VK113-VK130, VK144,
VK145, VK149-VK160, VK165-VK170, VK172-VK180, VR401, VR421,
VR426, VR471
- *[12] ALL EXCEPT VN096-VN110, VS186, VS187
- *[13] VN225 ONLY
- *[14] VB421-VB440, VB451-VD999, VK031-VK035 ONLY
- *[15] VN001-VN041 ONLY
- *[16] VL751-VL790 ONLY

31-11-61

TESTING & TROUBLE SHOOTING
 01.1 Page 165
 Jul 01/05

COMPONENT
MAINTENANCE MANUAL

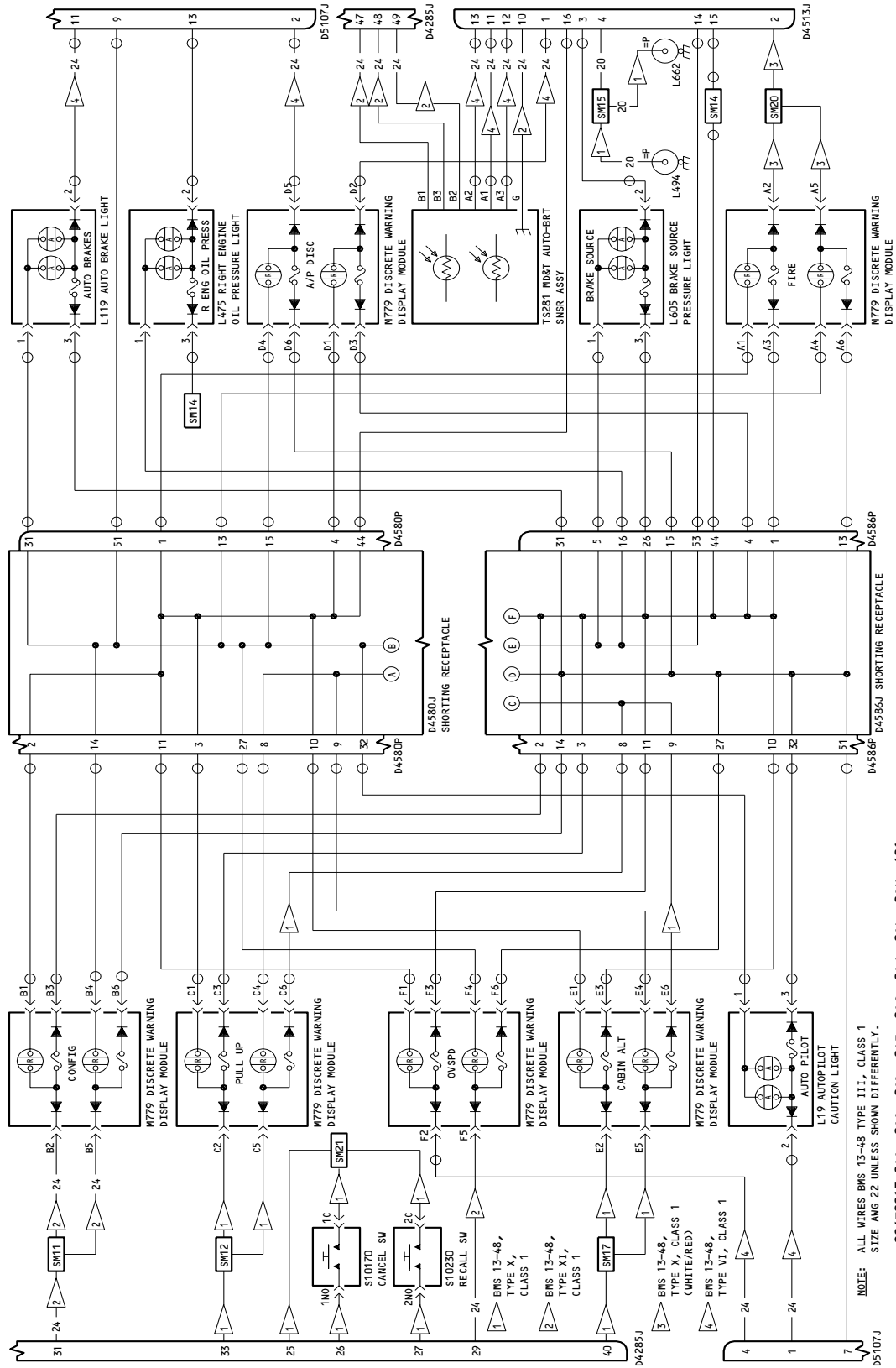


NOTE: ALL WIRES BMS 13-48 TYPE III, CLASS 1, SIZE ANG 22 UNLESS SHOWN DIFFERENTLY.

286T0013-00A,-0AC,-0AD,-0AE,-0AG,-0AJ,-0AL,-0AN,-001
Schematic Diagram
Figure 102 (Sheet 1)

31-11-61

BOEING COMPONENT MAINTENANCE MANUAL

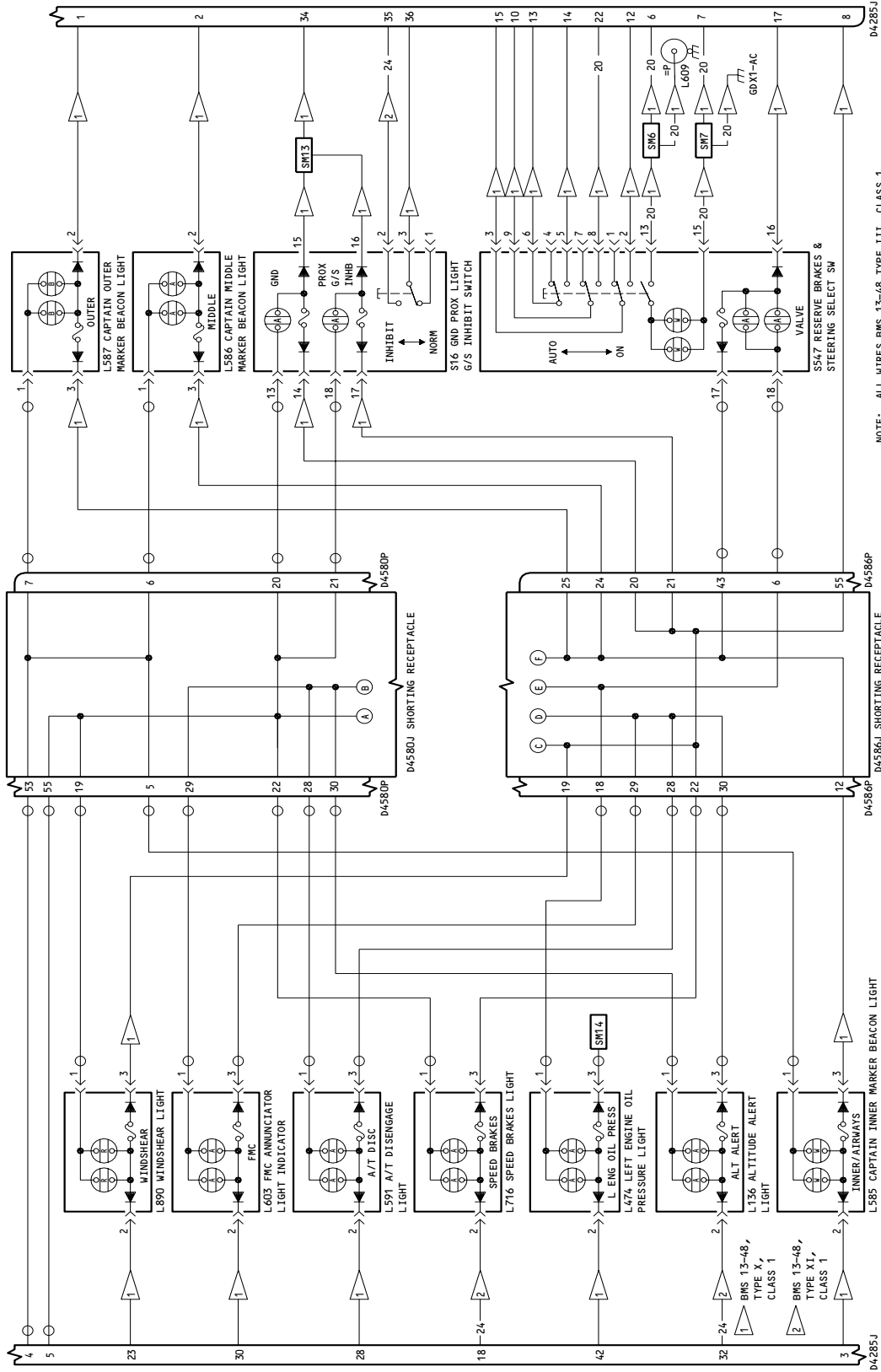


NOTE: ALL WIRES BMS 13-48 TYPE III, CLASS 1
 SIZE AWG 22 UNLESS SHOWN DIFFERENTLY.

286T0013-OAA,-DAC,-DAE,-DAG,-DAJ,-DAL,-OAN,-601
 Schematic Diagram
 Figure 102 (Sheet 2)

31-11-61

COMPONENT
MAINTENANCE MANUAL

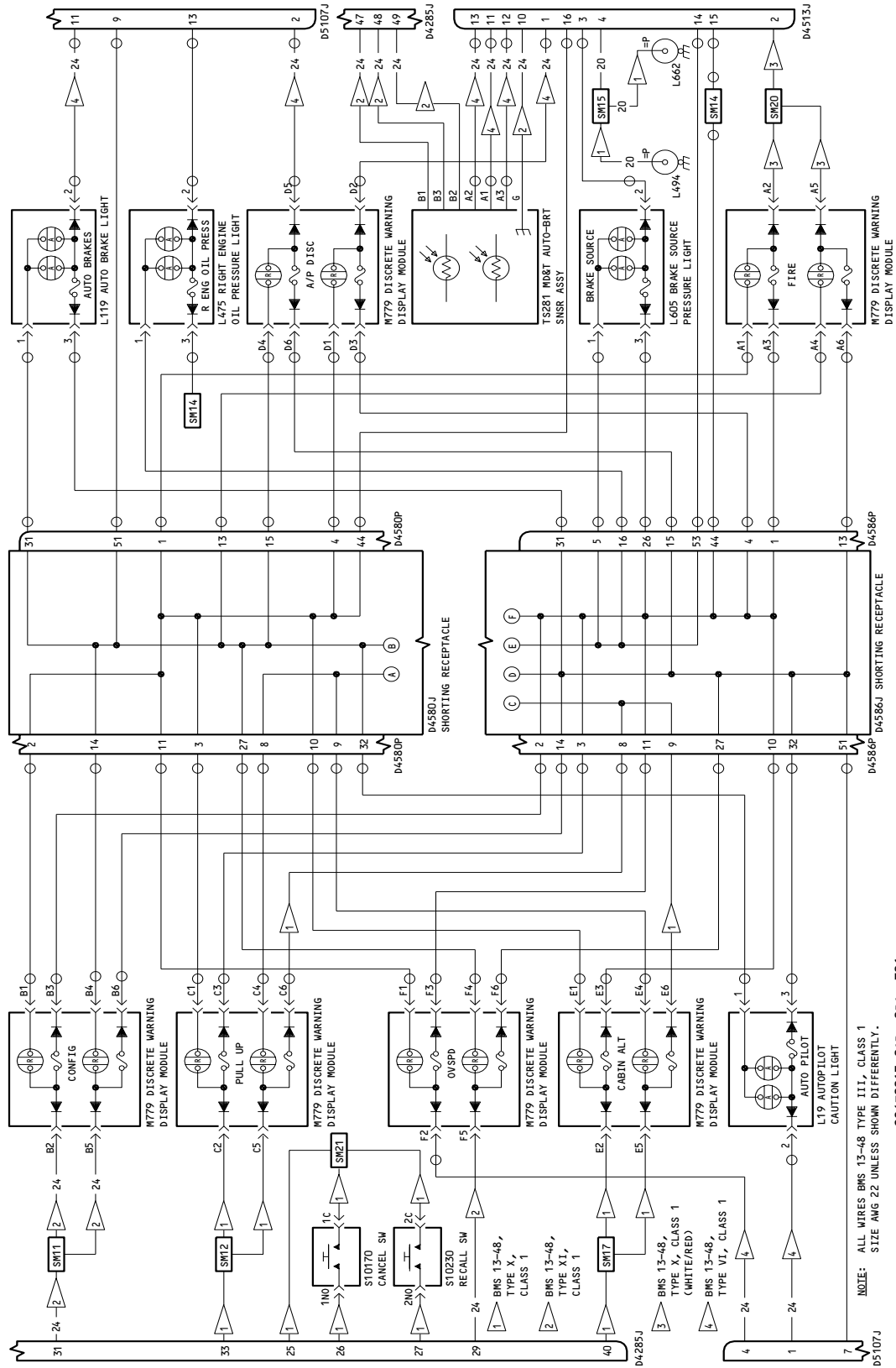


NOTE: ALL WIRES BMS 13-48 TYPE III, CLASS 1, SIZE ANG 22 UNLESS SHOWN DIFFERENTLY.

286T0013-OBA,-OBA,-701
Schematic Diagram
Figure 103 (Sheet 1)

31-11-61

BOEING COMPONENT MAINTENANCE MANUAL



286T0013-0AB,-0BA,-701
Schematic Diagram
Figure 103 (Sheet 2)

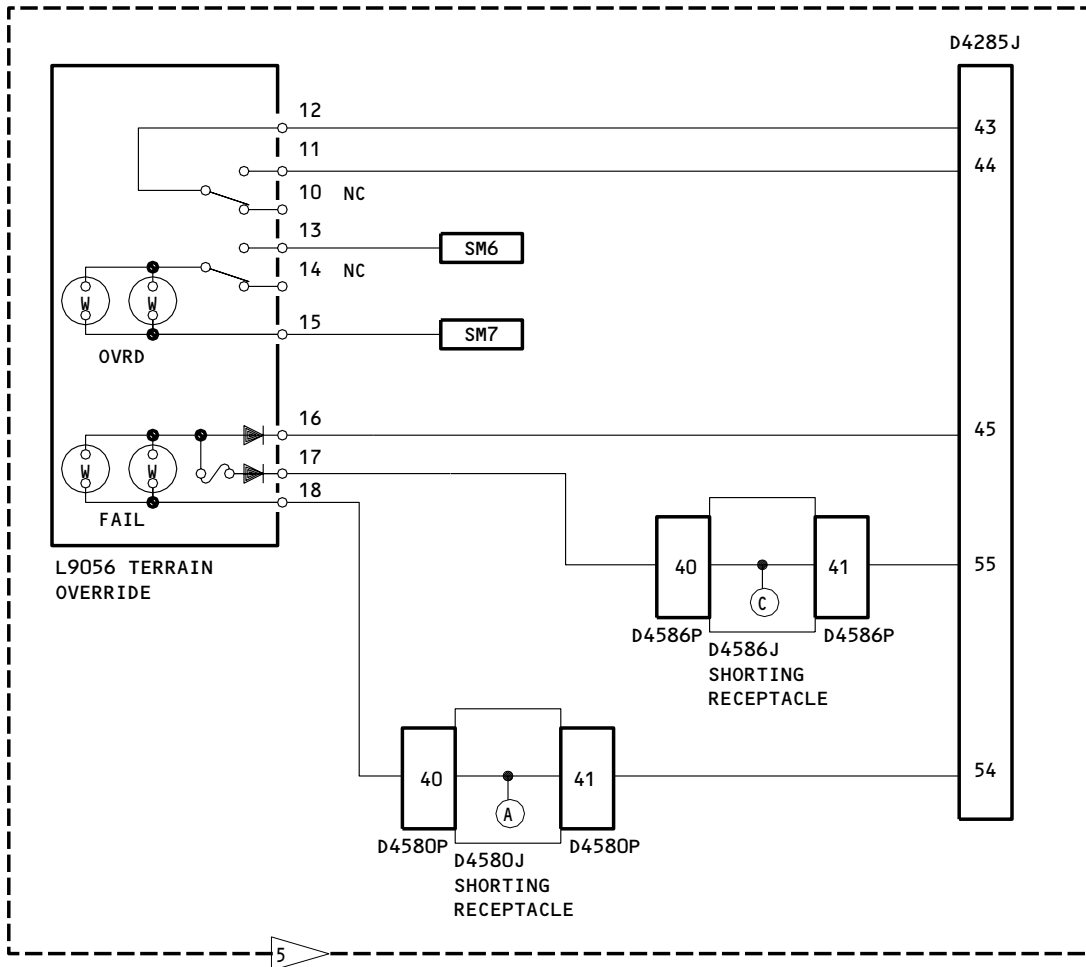
31-11-61

TESTING & TROUBLE SHOOTING

01.1

Page 169

Jul 01/05



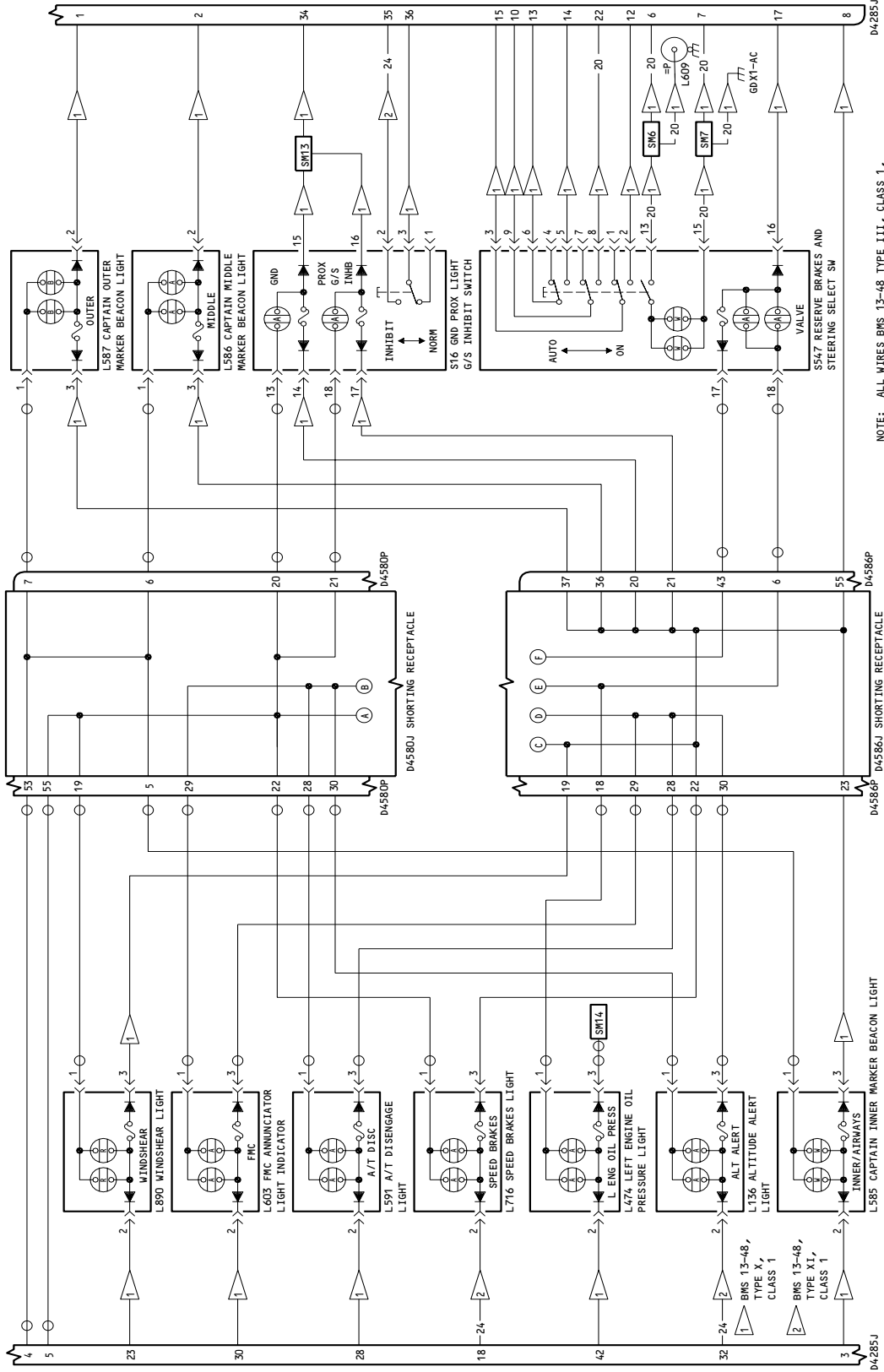
NOTE: ALL WIRES BMS 13-48, TYPE X, CLASS 1, AWG 22.

5 FOR VR201-VR211, VW701-VW721 ONLY

286T0013-OAB,-OBA,-701
 Schematic Diagram
 Figure 103 (Sheet 3)

31-11-61

BOEING COMPONENT MAINTENANCE MANUAL

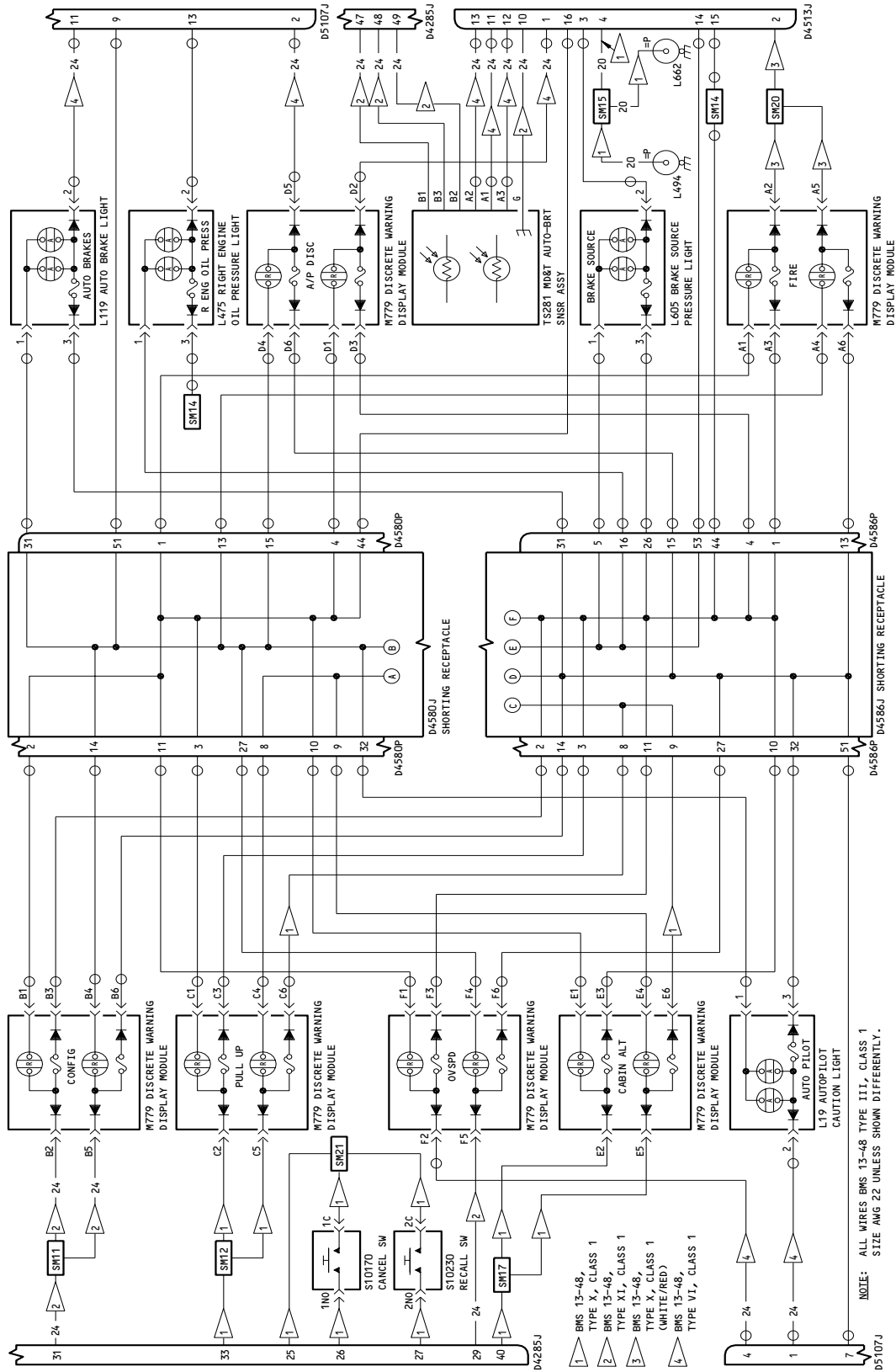


NOTE: ALL WIRES BMS 13-48 TYPE III, CLASS 1, SIZE ANG 22 UNLESS SHOWN DIFFERENTLY.

286T0013-0AF
Schematic Diagram
Figure 104 (Sheet 1)

31-11-61

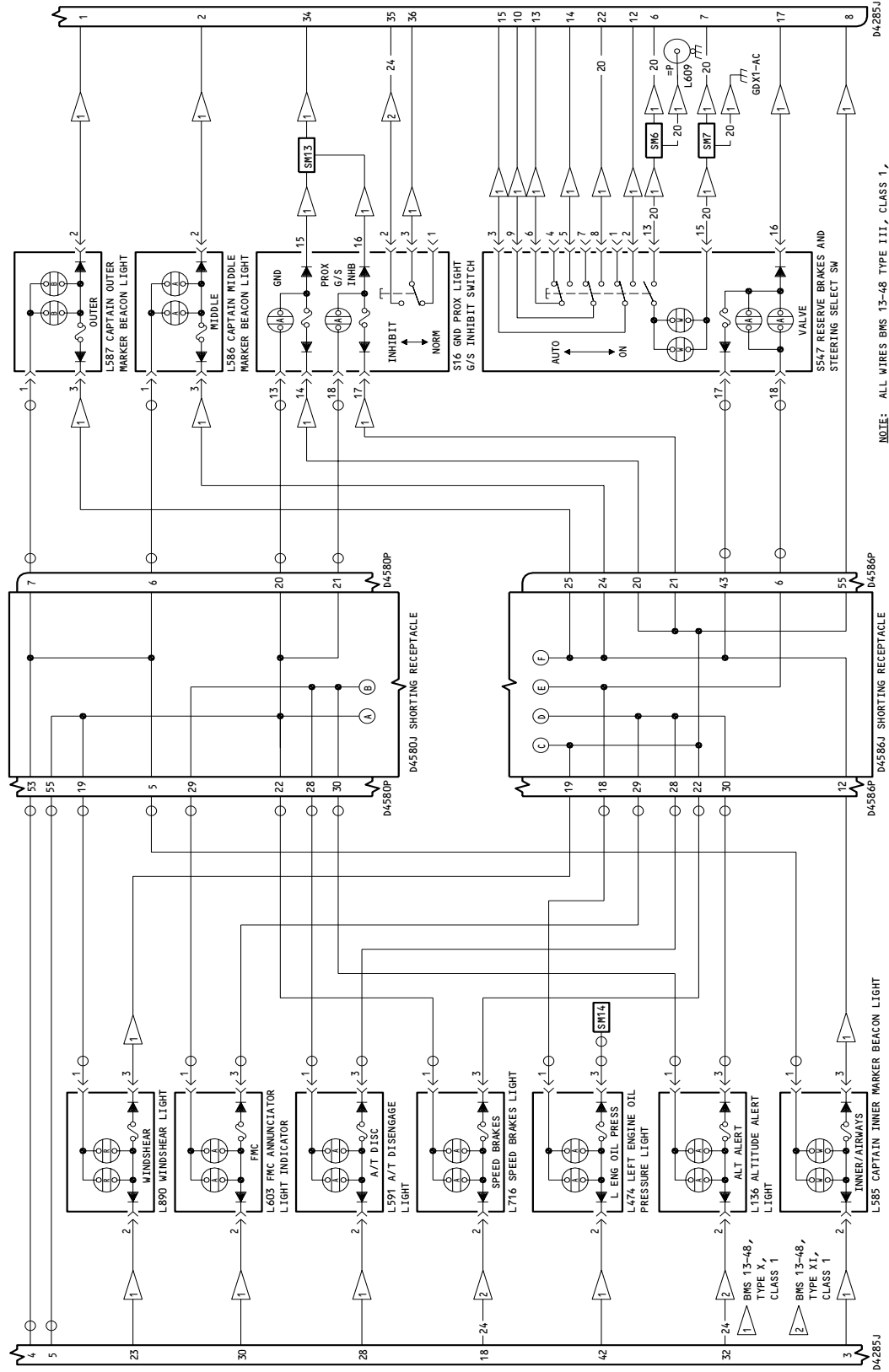
TESTING & TROUBLE SHOOTING
01.1 Page 171
Jul 01/05



286T0013-0AF
 Schematic Diagram
 Figure 104 (Sheet 2)

31-11-61

BOEING COMPONENT MAINTENANCE MANUAL



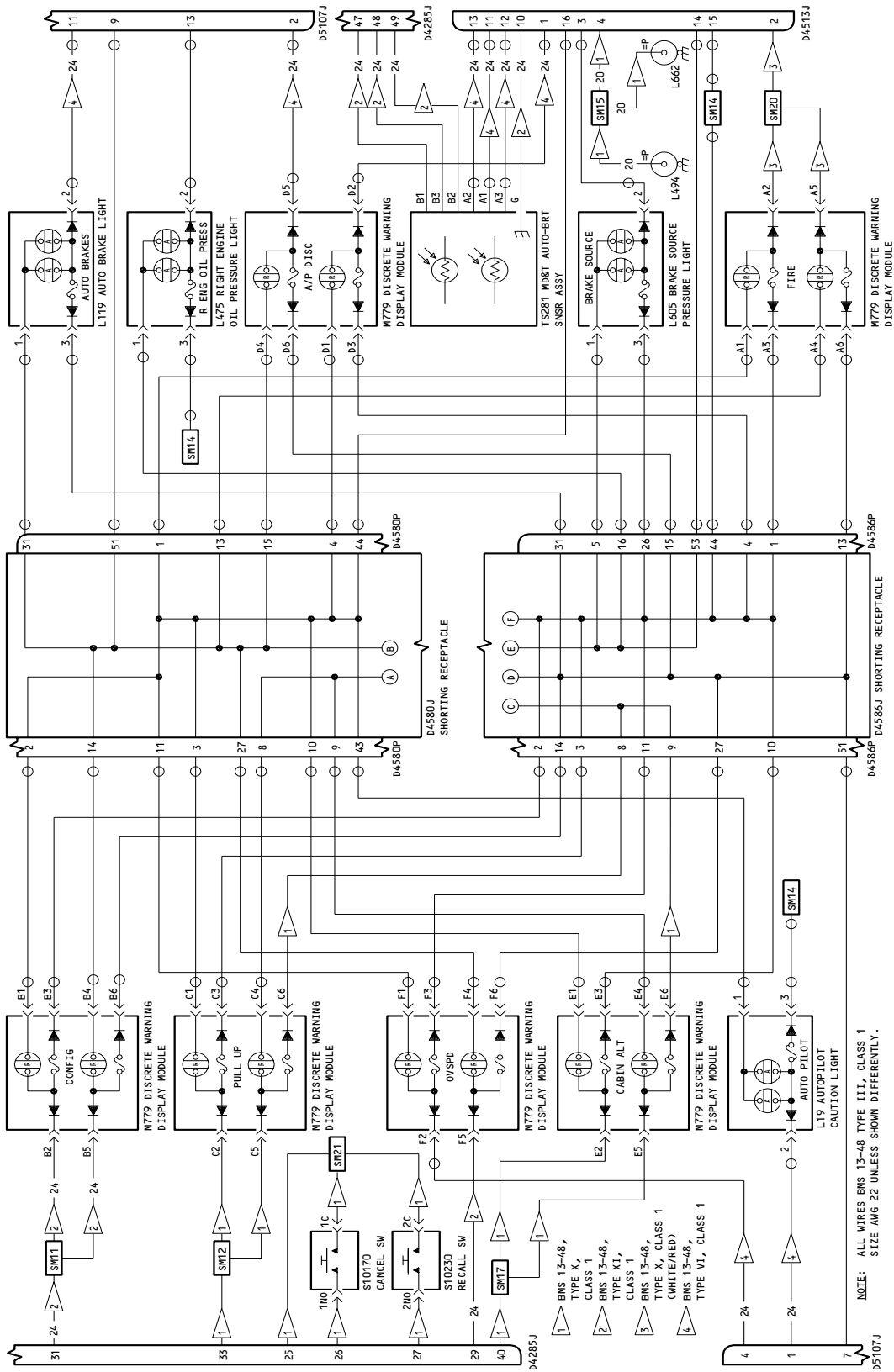
NOTE: ALL WIRES BMS 13-48 TYPE III, CLASS 1, SIZE ANG 22 UNLESS SHOWN DIFFERENTLY.

286T0013-0AH
Schematic Diagram
Figure 105 (Sheet 1)

31-11-61

TESTING & TROUBLE SHOOTING
01.1 Page 173
Jul 01/05

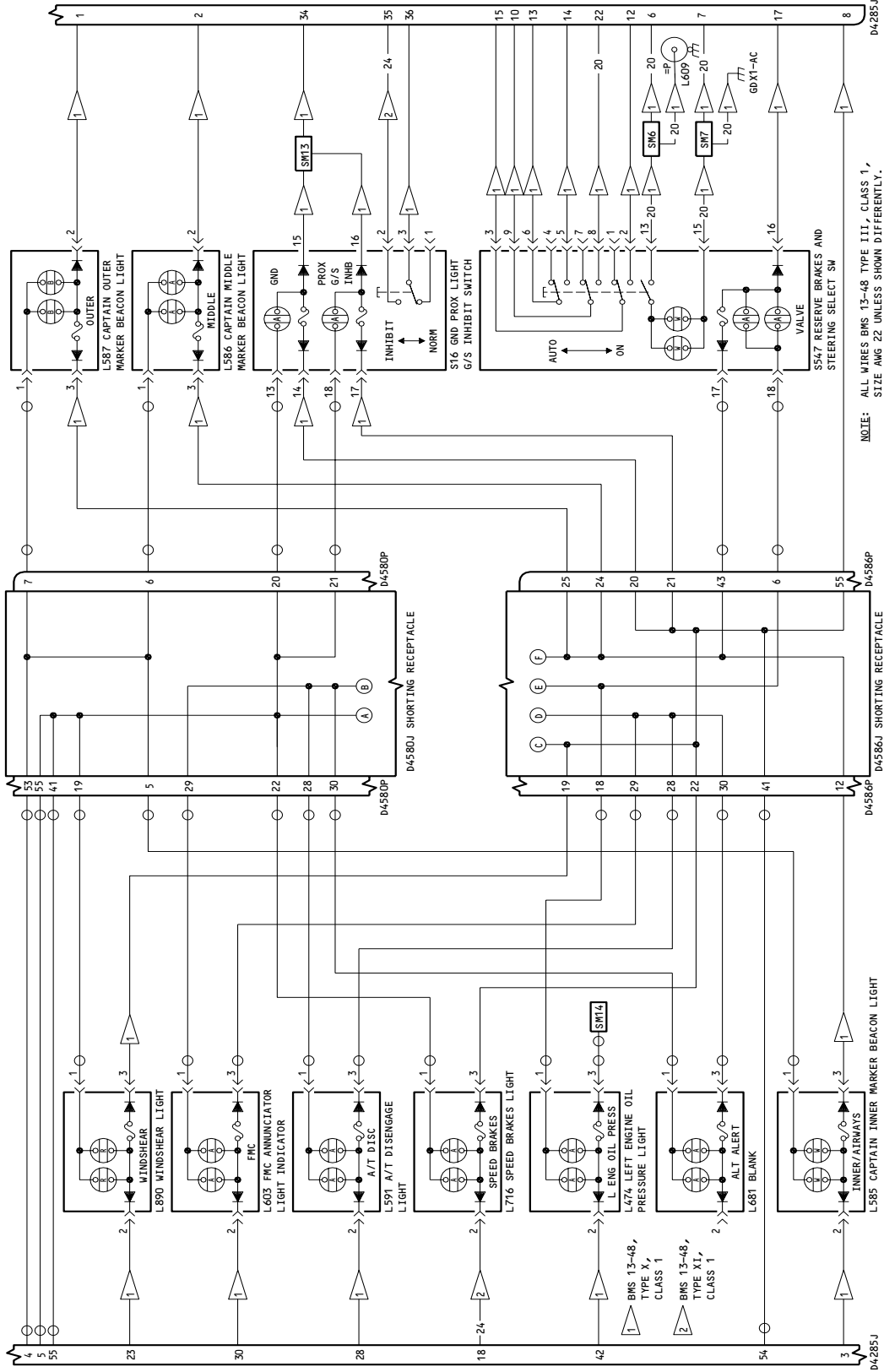
**COMPONENT
MAINTENANCE MANUAL**



NOTE: ALL WIRES BMS 13-48 TYPE III, CLASS 1
SIZE AWG 22 UNLESS SHOWN DIFFERENTLY.

286T0013-0AH
Schematic Diagram
Figure 105 (Sheet 2)

BOEING COMPONENT MAINTENANCE MANUAL



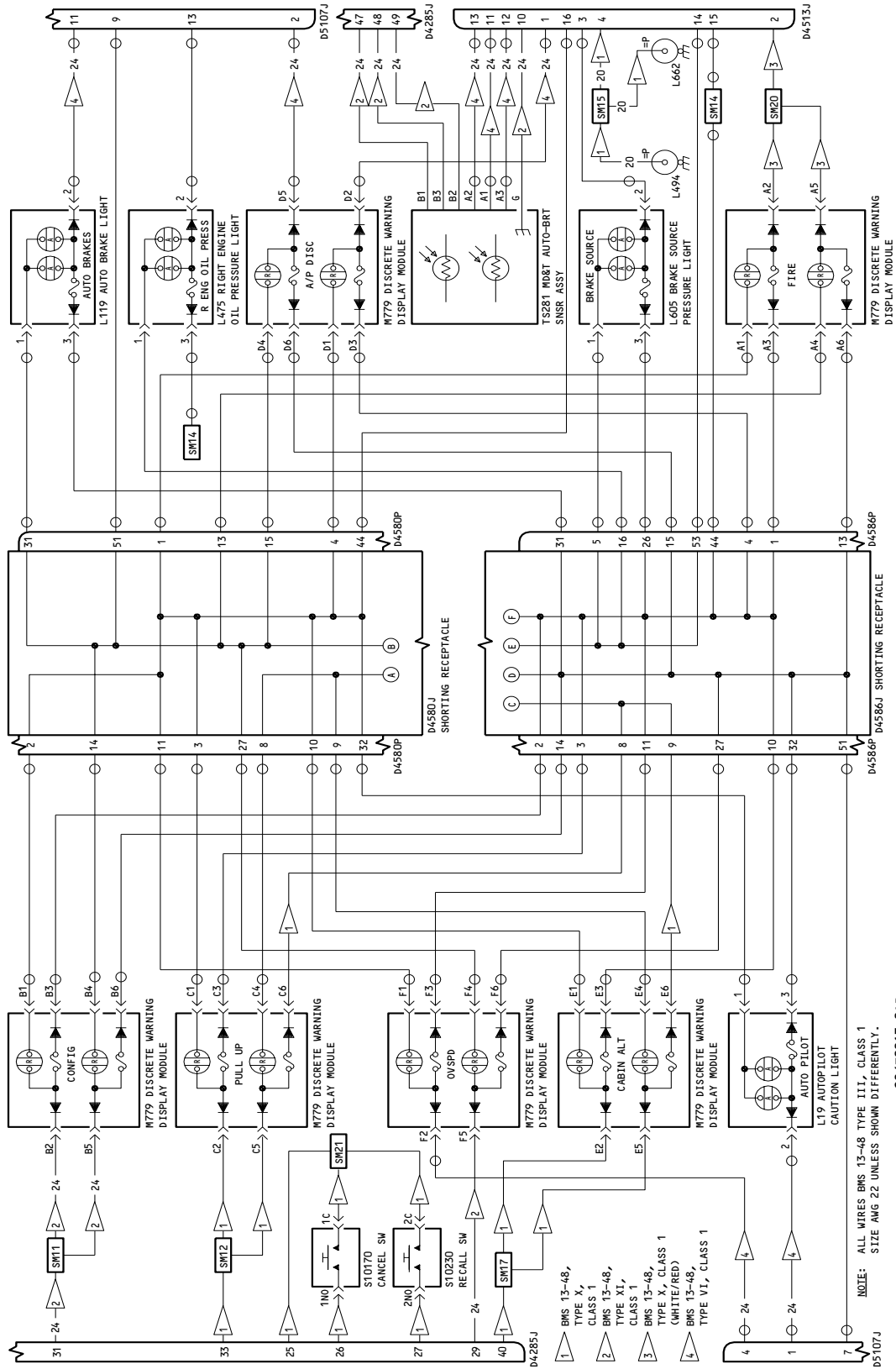
NOTE: ALL WIRES BMS 13-48 TYPE III, CLASS 1, SIZE ANG 22 UNLESS SHOWN DIFFERENTLY.

286T0013-0AP
Schematic Diagram
Figure 106 (Sheet 1)

31-11-61

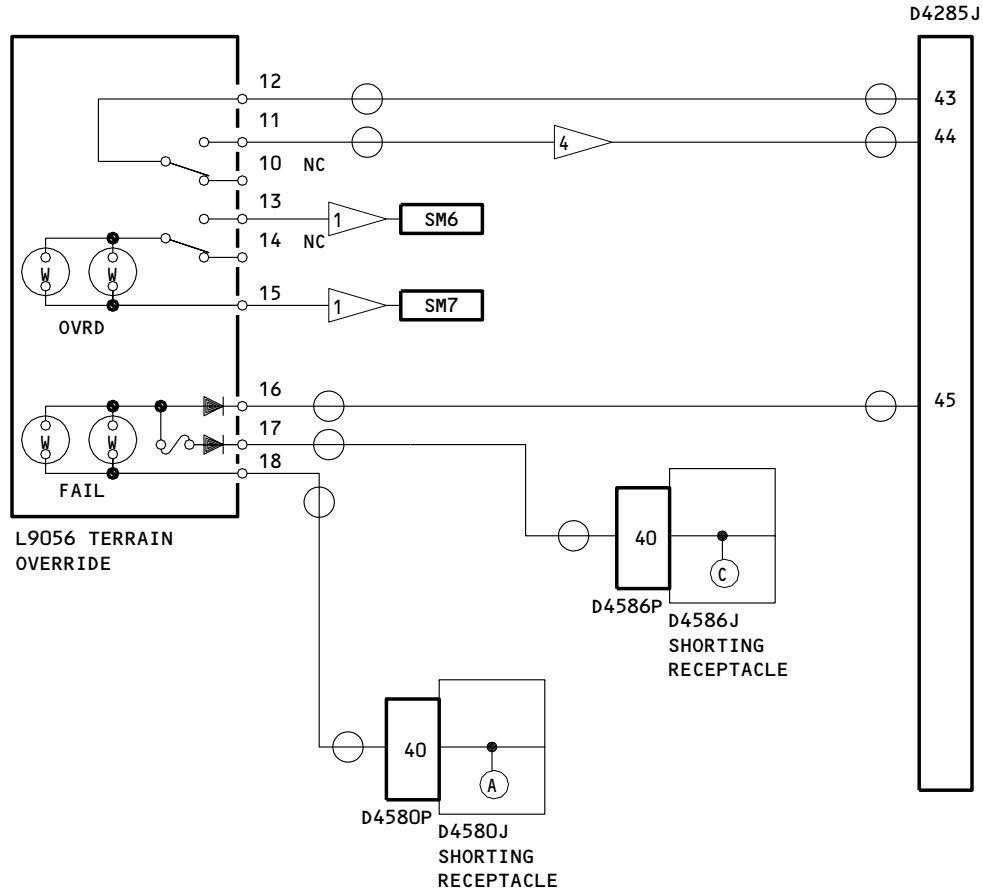
TESTING & TROUBLE SHOOTING
01.1 Page 175
Jul 01/05

COMPONENT
MAINTENANCE MANUAL



286T0013-0AP
Schematic Diagram
Figure 106 (Sheet 2)

31-11-61

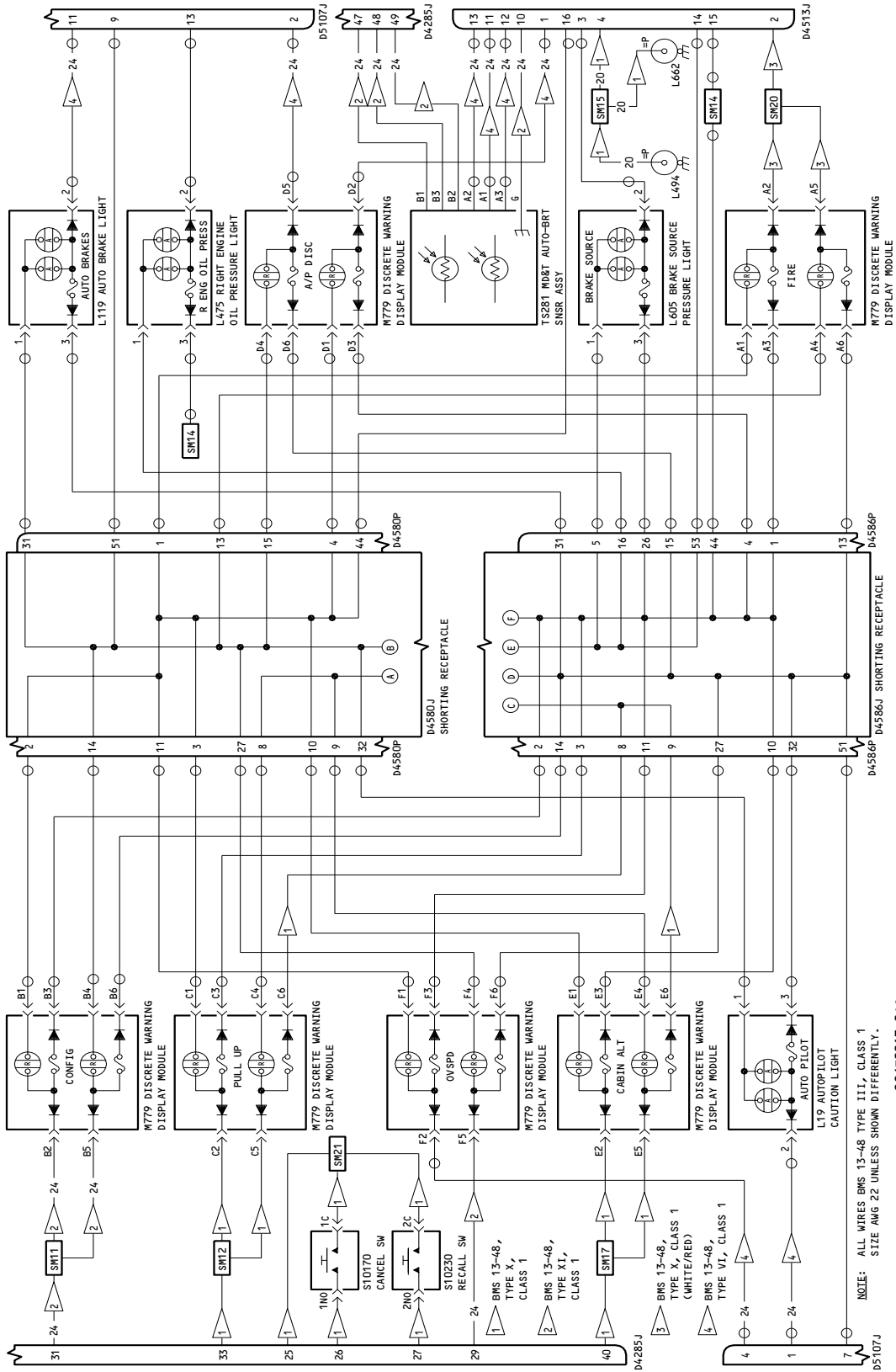


NOTE: ALL WIRES BMS 13-48, TYPE III, CLASS 1,
 AWG 22 UNLESS SHOWN DIFFERENTLY.

- BMS 13-48, TYPE X, CLASS 1
- BMS 13-48, TYPE VI, CLASS 1

286T0013-OAP
 Schematic Diagram
 Figure 106 (Sheet 3)

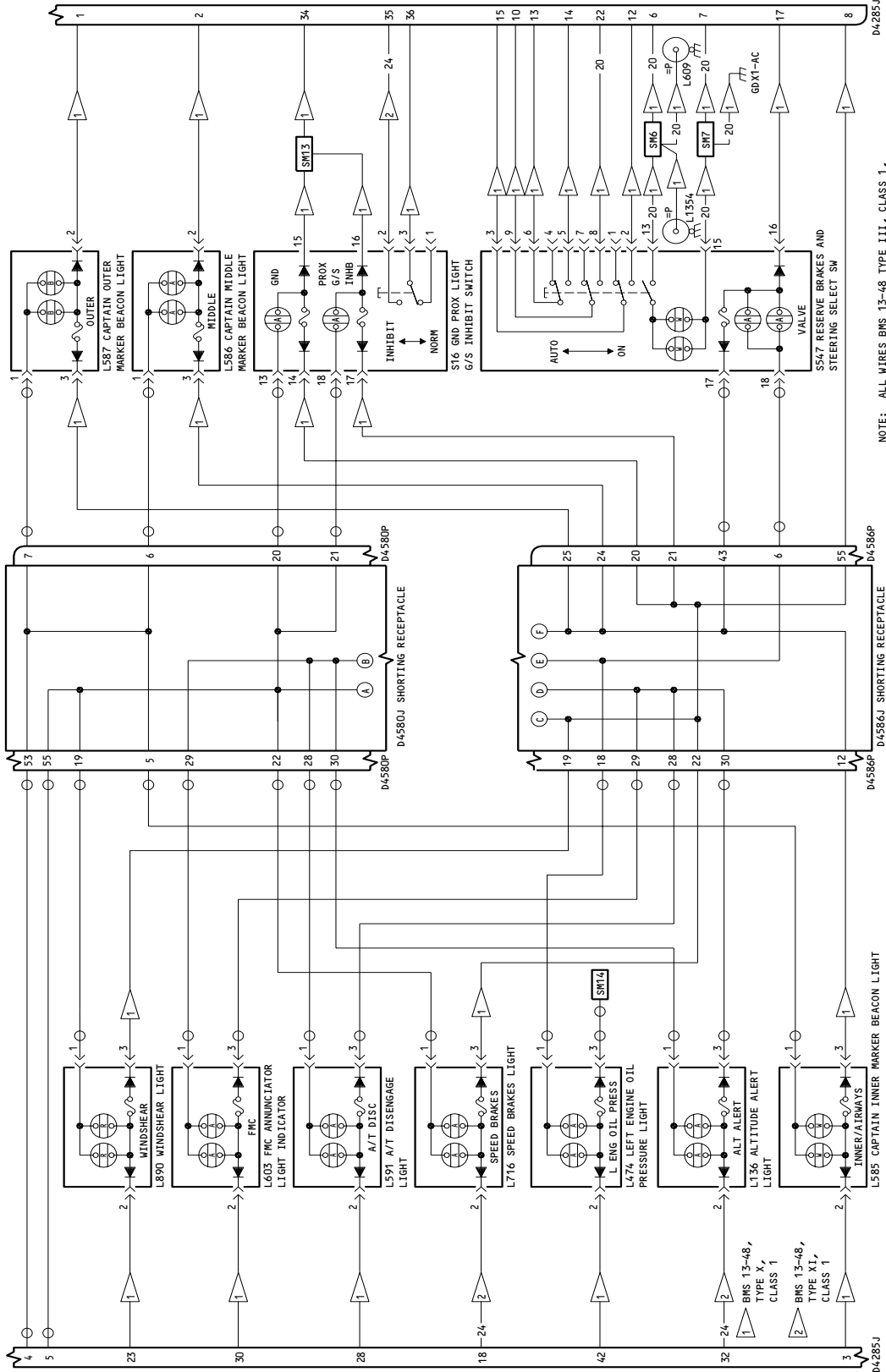
31-11-61



286T0013-0AS
Schematic Diagram
Figure 107 (Sheet 1)

31-11-61

BOEING COMPONENT MAINTENANCE MANUAL

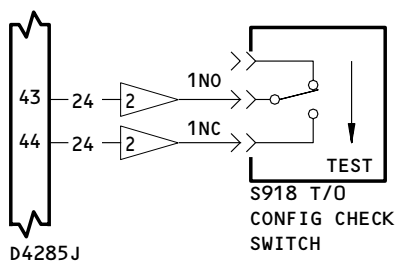


NOTE: ALL WIRES BMS 13-48 TYPE III, CLASS 1, SIZE ANG 22 UNLESS SHOWN DIFFERENTLY.

286T0013-0AS
Schematic Diagram
Figure 107 (Sheet 2)

31-11-61

TESTING & TROUBLE SHOOTING
01.1 Page 179
Jul 01/05



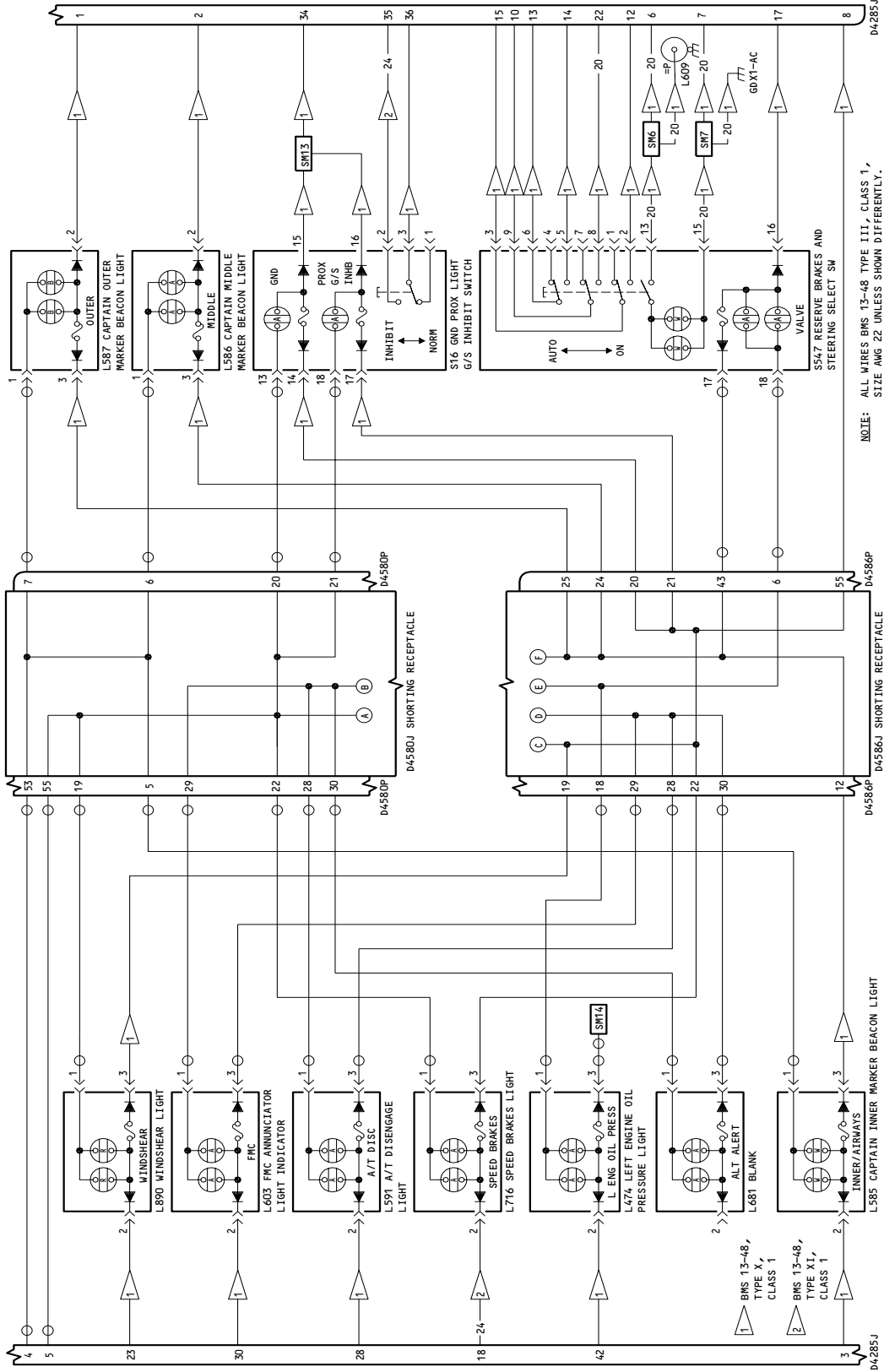
2 BMS 13-48, TYPE XI, CLASS 1

286T0013-OAS
Schematic Diagram
Figure 107 (Sheet 3)

31-11-61

TESTING & TROUBLE SHOOTING
01.1 Page 180
Jul 01/05

BOEING COMPONENT MAINTENANCE MANUAL

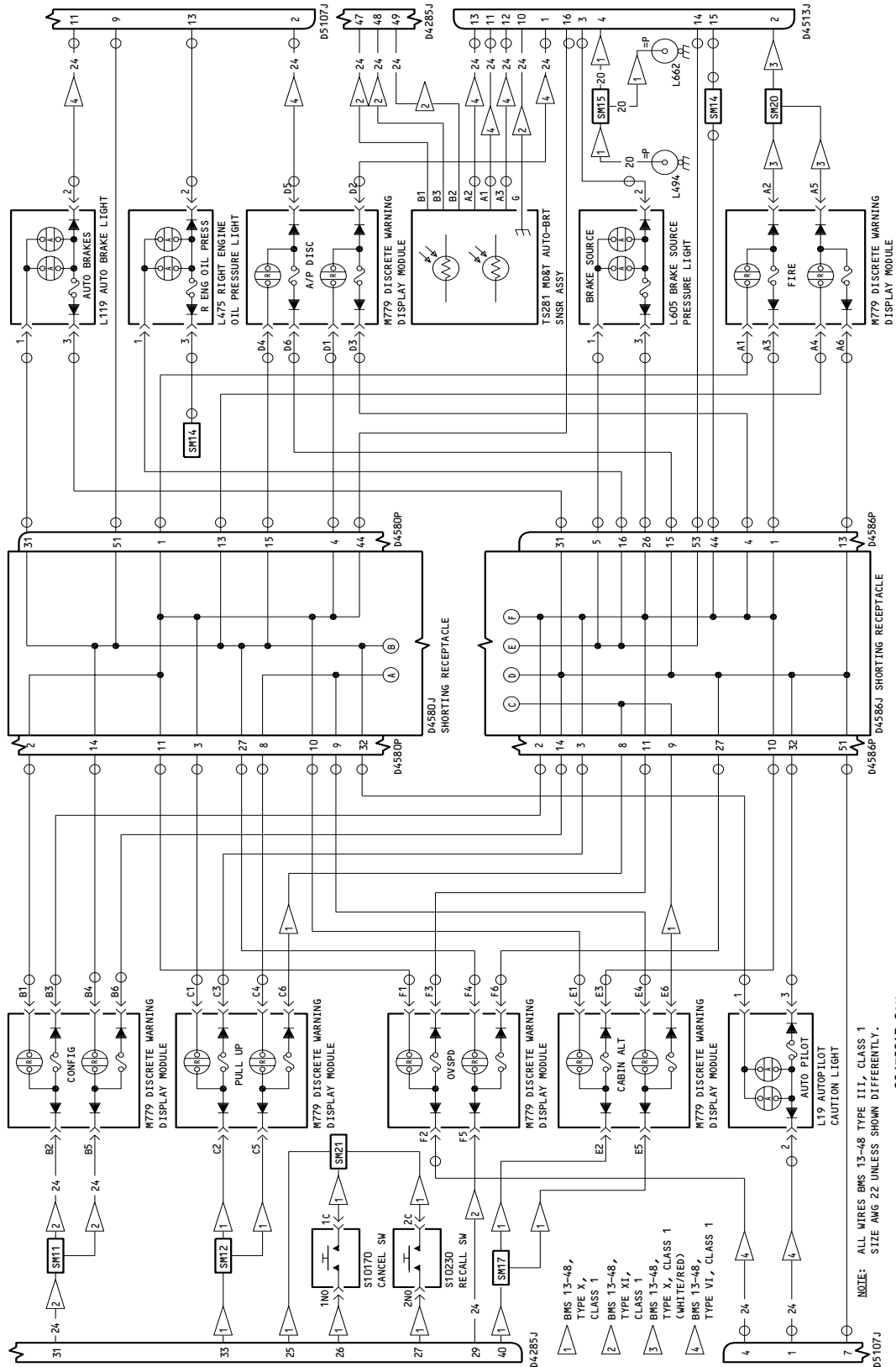


NOTE: ALL WIRES BMS 13-48 TYPE III, CLASS 1, SIZE ANG 22 UNLESS SHOWN DIFFERENTLY.

286T0013-0AU
Schematic Diagram
Figure 108 (Sheet 1)

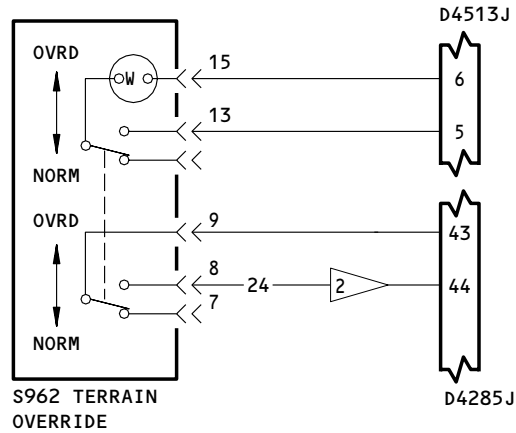
31-11-61

TESTING & TROUBLE SHOOTING
01.1 Page 180A
Jul 01/05

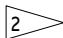


286T0013-04U
 Schematic Diagram
 Figure 108 (Sheet 2)

31-11-61



NOTE: ALL WIRES BMS 13-48, TYPE X, CLASS 1, AWG 20 UNLESS SHOWN DIFFERENTLY.

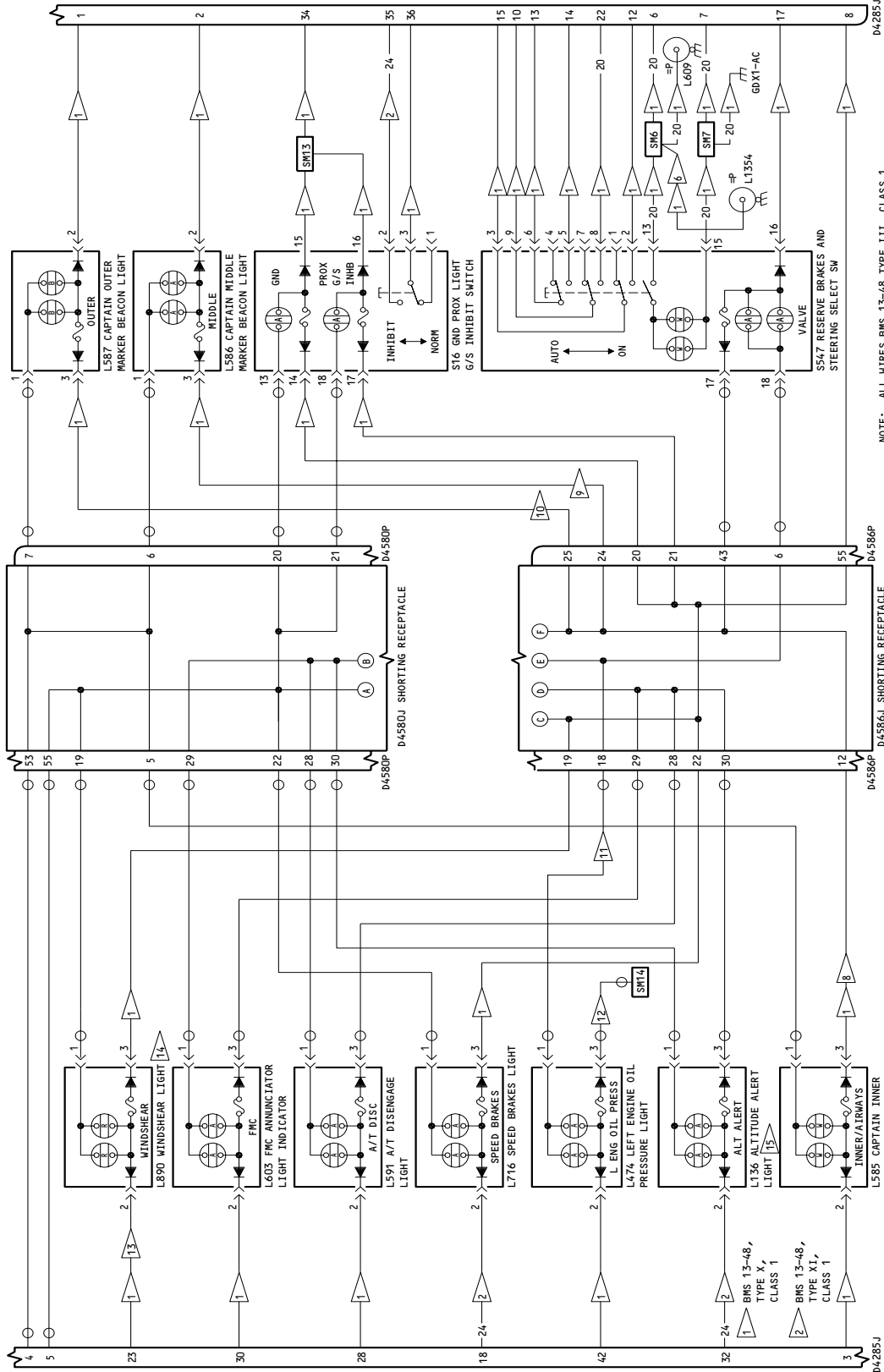
 BMS 13-48, TYPE XI, CLASS 1

286T0013-0AU
 Schematic Diagram
 Figure 108 (Sheet 3)

31-11-61

TESTING & TROUBLE SHOOTING
 01.1 Page 180C
 Jul 01/05

COMPONENT
MAINTENANCE MANUAL

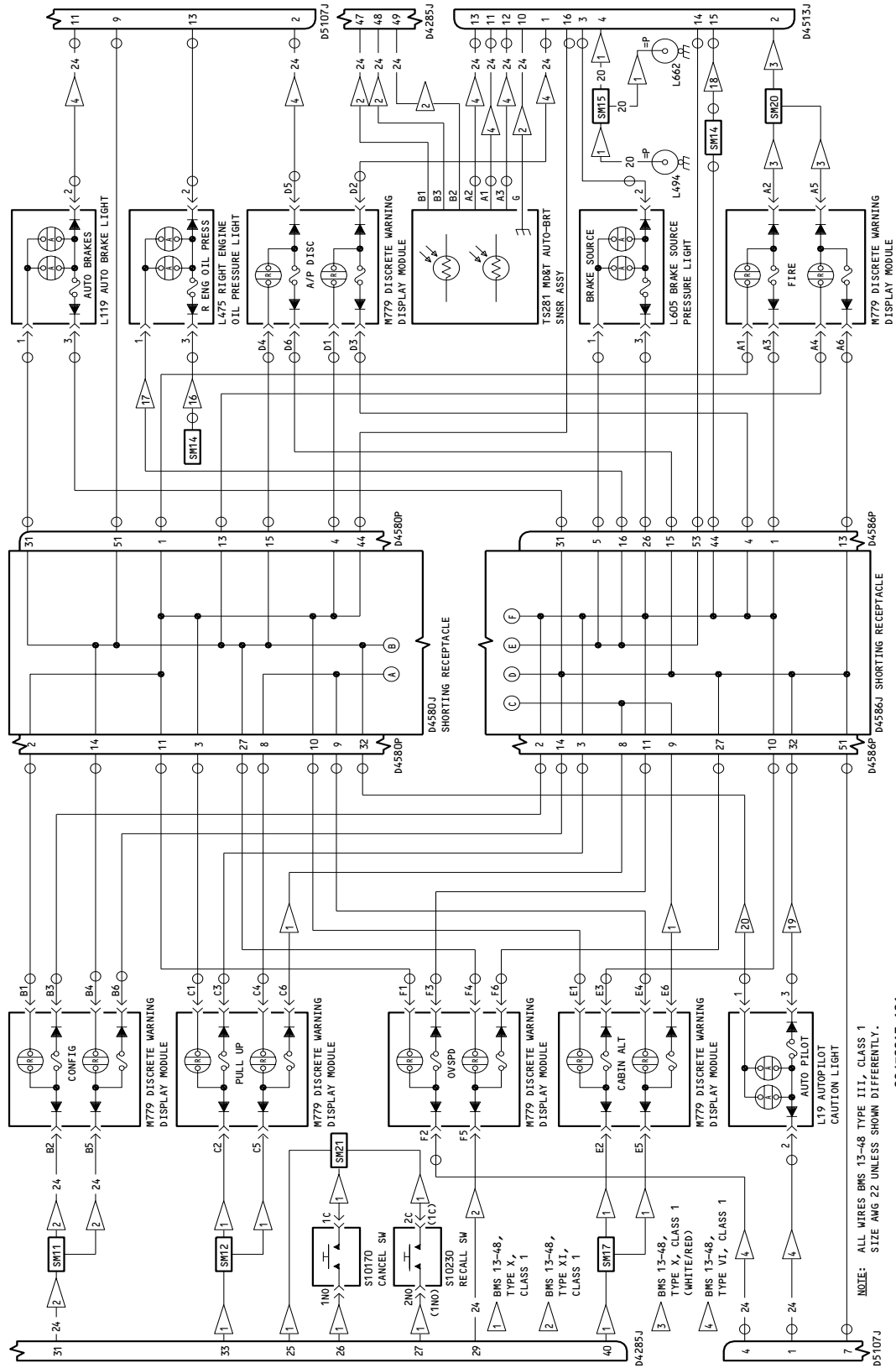


NOTE: ALL WIRES BMS 13-48 TYPE III, CLASS 1, SIZE ANG 22 UNLESS SHOWN DIFFERENTLY.

286T0013-101
Schematic Diagram
Figure 109 (Sheet 1)

31-11-61

BOEING COMPONENT MAINTENANCE MANUAL

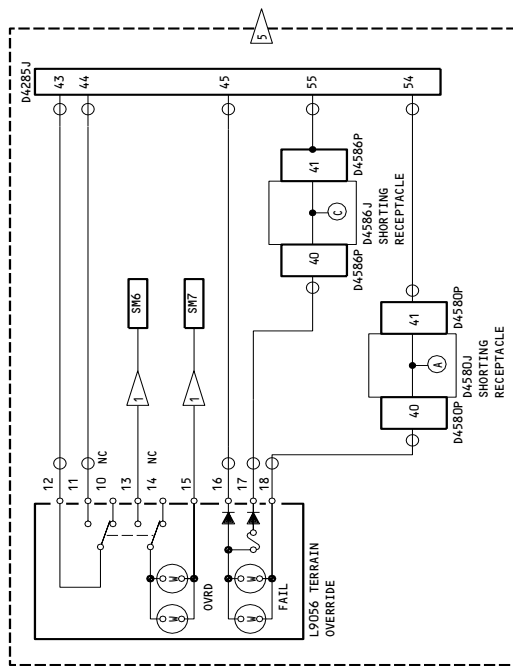
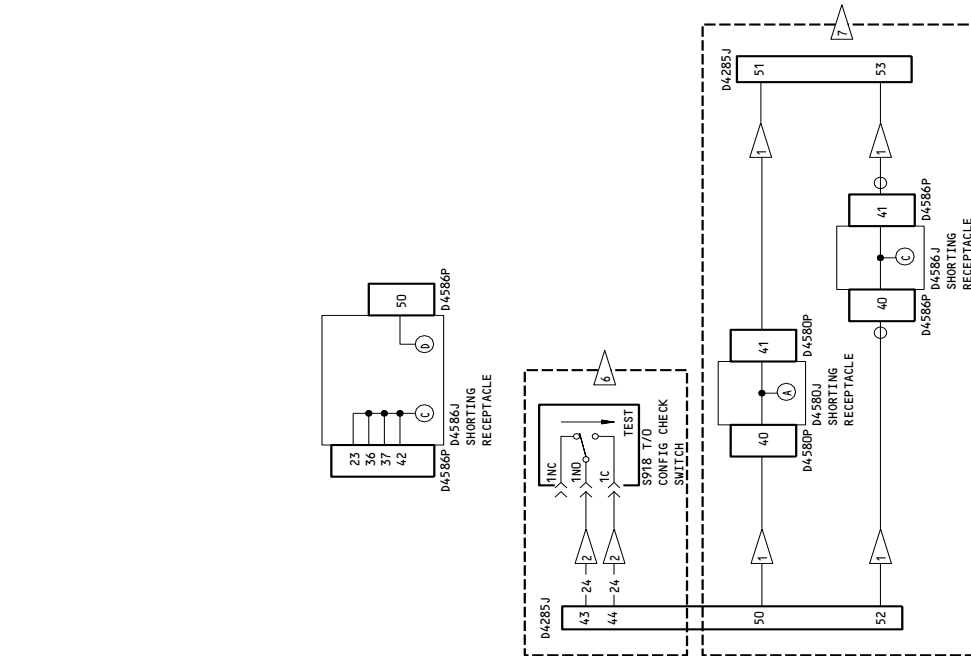


NOTE: ALL WIRES BMS 13-48 TYPE III, CLASS 1
 SIZE AMG 22 UNLESS SHOWN DIFFERENTLY.

286T0013-101
 Schematic Diagram
 Figure 109 (Sheet 2)

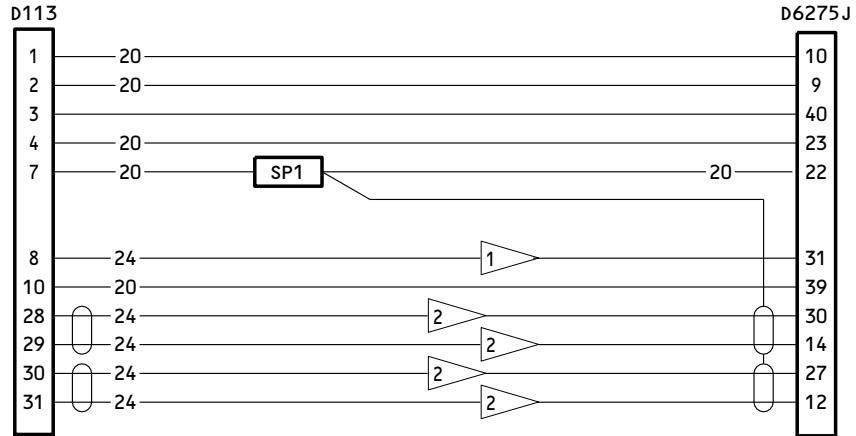
90L594

31-11-61

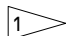
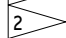


- NOTES:** ALL WIRES BMS 13-48, TYPE III, CLASS 1, AWG 22 UNLESS SHOWN DIFFERENTLY.
- 1 BMS 13-48, TYPE X, CLASS 1
 - 2 BMS 13-48, TYPE X1, CLASS 1
 - 3 WND01-WND41 ONLY
 - 6 VL751-VL790 ONLY
 - 7 WZ25 ONLY
 - 8 FOR VB421-VB440,VB445-VD999,KC031-WK080, WK113-WK130,WK144,WK145,WK149-WK160, WK165-WK170,WK172-WK180,WR401,WR421,VF426,WR471. L585-3 CONNECT TO D4586P-23
 - 9 FOR VB421-VB440,VB445-VD999,KC031-WK080, WK113-WK130,WK144,WK145,WK149-WK160, WK165-WK170,WK172-WK180,WR401,WR421,VF426,WR471. L586-3 CONNECT TO D4586P-36
 - 10 FOR VB421-VB440,VB445-VD999,KC031-WK080, WK113-WK130,WK144,WK145,WK149-WK160, WK165-WK170,WK172-WK180,WR401,WR421,VF426,WR471. L587-3 CONNECT TO D4586P-37
 - 11 FOR VB421-VB440,VB441-VD999,KC031-WK045. USE WIRE BMS 13-48, TYPE X, CLASS 1, L474-1 CONNECT TO D4285J-9
 - 12 FOR VB421-VB440,VB441-VD999,KC031-WK045. USE WIRE BMS 13-48, TYPE X, CLASS 1, L474-3 CONNECT TO D4586P-42
 - 13 FOR VB421-VB440,VB451-VD999. CAP AND STOW L890-2
 - 14 FOR VB421-VB440,VB451-VD999. L601 (BLANK)
 - 15 FOR WND01-WND50,AS196-V199. L681 (BLANK)
 - 16 FOR VB421-VB440,VB451-VD999,KC031-WK035. L475-3 CONNECT TO D4586P-50
 - 17 FOR VB421-VB440,VB451-VD999,KC031-WK035. L475-1 CONNECT TO D5107J-6
 - 18 FOR VB421-VB440,VB451-VD999,KC031-WK035. D4513J-15 CONNECT TO D4586P-44
 - 19 FOR WND96-WN110,VS186,VS187. L19-3 CONNECT TO SR14
 - 20 FOR WND96-WN110,VS186,VS187. L19-1 CONNECT TO D4580P-43

286T0013-101
Schematic Diagram
Figure 109 (Sheet 3)



NOTE: ALL WIRES BMS 13-48, TYPE X, CLASS 1,
 AWG 22, UNLESS SHOWN DIFFERENTLY

-  BMS 13-48, TYPE XI, CLASS 1
-  BMS 13-48, TYPE VI, CLASS 2

286T0015-101
 Schematic Diagram
 Figure 110

31-11-61

TESTING & TROUBLE SHOOTING
 01.1 Page 180G
 Jul 01/05

REPAIR – GENERAL

1. All repairs may be accomplished with the standard industry practices and the procedures contained in SOPM 20-11-05 except as listed below.
 - A. When replacing sensor assembly (115A, 115B, Fig. 1; 123, Fig. 2; 55, Fig. 3; 95, Fig. 4; 95, Fig. 5; 70, Fig. 6; 45, Fig. 7; 60, Fig. 8), install so that letter A on terminal block is positioned toward top of panel.
 - B. When replacing anti-slip surfacing (235, Fig. 1; 260, Fig. 2; 230, Fig. 3; 250, Fig. 4; 255, Fig. 5; 260, Fig. 6; 240, Fig. 7; 270, Fig. 8), bond butt joint, after application, per SOPM 20-50-12, using type 44 or 72 (opt) adhesive.
 - C. When replacing the decal (470, Fig. 1; 510, Fig. 2; 395, Fig. 3; 425, 427, Fig. 4; 430, Fig. 5; 450, 452, Fig. 6; 400, Fig. 7; 420, Fig. 8), install per SOPM 20-50-05 after the installation of connector D4285J and D4513J.

31-11-61

REPAIR-GENERAL

01.1

Page 601

Jul 01/05

ILLUSTRATED PARTS LIST

1. This section lists and illustrates replaceable or repairable component parts. The Illustrated Parts Catalog contains a complete explanation of the Boeing part numbering system.

2. Indentures show parts relationships as follows:

Assembly

Detail Parts for Assembly

Subassembly

Attaching Parts for Subassembly

Detail Parts for Subassembly

Detail Installation Parts (Included only if installation parts may be returned to shop as part of assembly)

3. One use code letter (A, B, C, etc.) is assigned in the EFF CODE column for each variation of top assembly. All listed parts are used on all top assemblies except when limitations are shown by use code letter opposite individual part entries.

4. Letter suffixes (alpha-variants) are added to item numbers for optional parts, Service Bulletin modification parts, configuration differences (Except left- and right-hand parts), product improvement parts, and parts added between two sequential item numbers. The alpha-variant is not shown on illustrations when appearance and location of all variants of the part is the same.

5. Service Bulletin modifications are shown by the notations PRE SB XXXX and POST SB XXXX.

A. When a new top assembly part number is assigned by Service Bulletin, the notations appear at the top assembly level only. The configuration differences at detail part level are then shown by use code letter.

B. When the top assembly part number is not changed by the Service Bulletin, the notations appear at the detail part level.

6. Parts Interchangeability

Optional
(OPT)

The parts are optional to and interchangeable with other parts having the same item number.

Supersedes, Superseded By
(SUPSDS, SUPSD BY)

The part supersedes and is not interchangeable with the original part.

Replaces, Replaced By
(REPLS, REPLD BY)

The part replaces and is interchangeable with, or is an alternate to, the original part.

31-11-61

ILLUSTRATED PARTS LIST

01

Page 1001

Jan 01/89

7. The following table may be used to find the interchangeability information for the S231T290 series flight deck pushbutton switches. The corresponding vendor part number is shown in parentheses along with the cage code. The last two digits denoted by 'XX' should match between the old part and interchangeable part numbers. The old part number may be used as a replacement unless noted differently:

<u>Old Part Number</u>	<u>Interchangeable Part Number</u>
S231T290-10XX *[1] (433-673-1001-10XX (V81590))	S231T290-42XX (4336731004-42XX (V81590))
S231T290-11XX *[1] (433-673-1001-11XX (V81590))	S231T290-43XX (4336731004-43XX (V81590))
S231T290-20XX (851-30768-20XX (V96182))	S231T290-42XX (4336731004-42XX (V81590))
S231T290-30XX (851-30768-30XX (V96182))	S231T290-42XX (4336731004-42XX (V81590))
S231T290-31XX (851-30768-31XX (V96182))	S231T290-43XX (4336731004-43XX (V81590))
S231T290-40XX *[1] (433-673-1004-40XX (V81590))	S231T290-42XX (4336731004-42XX (V81590))
S231T290-41XX *[1] (433-673-1004-41XX (V81590))	S231T290-43XX (4336731004-43XX (V81590))

*[1] The old part number may be used as a replacement where the old part number contains configuration "D" master module. See repair section for additional information.

31-11-61

ILLUSTRATED PARTS LIST
 01.1 Page 1002
 Jul 01/05


BOEING
 COMPONENT
 MAINTENANCE MANUAL
VENDORS

04169 WESTERN SKY INDUSTRIES A DIVISION OF ATLAS CORPORATION
 1280 SAN LUIS OBISPO STREET
 HAYWARD, CALIFORNIA 94544-7916
 FORMERLY WESTERN SKY IND VB0008

05236 JONATHAN MANUFACTURING CORP
 1101 SOUTH ACACIA AVENUE
 FULLERTON, CALIFORNIA 92631-5312

05617 IDD AEROSPACE CORP
 18225 NORTHEAST 76TH STREET PO BOX 97056
 REDMOND, WASHINGTON 98073-9756
 FORMERLY FARWEST ELEC INC; FORMERLY IN BELLEVUE, WA;
 FORMERLY BELL IND FARWEST MFG DIV; FORMERLY BELL IND
 ILLUMINATED DISPLAYS DIV

11815 CHERRY AEROSPACE FASTENERS DIV OF TEXTRON
 1224 EAST WARNER AVENUE PO BOX 2157
 SANTA ANA, CALIFORNIA 92707-0157
 FORMERLY IN LOS ANGELES, CALIF, FORMERLY CHERRY FASTENERS
 TOWNSEND DIV OF TEXTRON INC V71087

12324 DUPREE INC STAKE FASTENER CO
 14395 RAMONA PO BOX 1797
 CHINO, CALIFORNIA 91708
 FORMERLY DUPREE MFG CO IN SOUTH EL MONTE, CALIFORNIA
 FORMERLY STAKE FASTENER CO DIV OF DUPREE INC

13556 LABINAL COMPONENTS AND SYS CINCH MILITARY AEROSPACE DIV
 8821 SCIENCE CENTER DRIVE
 MINNEAPOLIS, MINNESOTA 55428-3619
 FORMERLY TRW CINCH MFG CO, FORMERLY IN NEW HOPE, MINNESOTA
 FORMERLY CINCH CYLINDRICAL DIV OF LABINAL COMP & SYS

31-11-61

 ILLUSTRATED PARTS LIST
 01.1 Page 1003
 Jul 01/05

VENDORS

15084 DUPREE INC AEROSPACE KNOB CO DIV
14395 RAMONA PO BOX 1797
CHINO, CALIFORNIA 91708-1797
FORMERLY AEROSPACE KNOB CO DIV OF DUPREE INC
FORMERLY IN SOUTH EL MONTE, CALIFORNIA

15653 ALOCA GLOBAL FASTEMERS INC DIV KAYNARE PRODUCTS
800 S STATE COLLEGE BLVD
FULLERTON, CALIFORNIA 92831-3001
FORMERLY VK6405 MICRODOT AEROSP LTD; FORMERLY KAYNAR TECH
FORMERLY FAIRCHILD FASTENERS KAYNAR DIV

28277 DEXTER-WILSON CORP
4133 STONE WAY NORTH
SEATTLE, WASHINGTON 98103-8013
FORMERLY H K WILSON V0137B
FORMERLY DEXTER CORP

5M902 ALCOA GLOBAL FASTENERS INC, DIV OF VOI-SHAN PRODUCTS
3000 W LOMITA BLVD
TORRANCE, CALIFORNIA 90505-5103
FORMERLY FAIRCHILD INC INC FAIRCHILD AEROSPACE FASTENERS DIV

51896 SPECTRA LUX CORP
12335 134TH COURT NE
REDMOND, WASHINGTON 98052
FORMERLY IN KIRKLAND, WA

52828 REPUBLIC FASTENER MFG CORP
1300 RANCHO CONEJO BLVD
NEWBURY PARK, CALIFORNIA 91320-1405
FORMERLY IN SYLMAR, CALIFORNIA

60119 MONADNOCK CO THE
18301 ARENTH AVENUE
ROWLAND HEIGHTS, CALIFORNIA 91748-1288
FORMERLY UNITED CARR FASTENER CORP VB0051 VB0056 VB0076
FORMERLY TRW ELECTRONIC COMPONENTS CINCH-MONADNOCK DIV
FORMERLY CINCH-MONADNOCK DIV OF TRW INC V76530
FORMERLY IN CITY OF INDUSTRY, CALIFORNIA

62554 SIMMONDS MECAERO FASTENERS INC
1734 SEQUOIA AVENUE
ORANGE, CALIFORNIA 92668

71087 BOOTS ACFT NUT DIV TOWNSEND CO SEE TEXTRON INC CHERRY
FASTENER TOWNSEND DIV V11815

31-11-61

ILLUSTRATED PARTS LIST
01.1 Page 1004
Jul 01/05


BOEING
 COMPONENT
 MAINTENANCE MANUAL
VENDORS

71286 ALCOA GLOBAL FASTENERSS INC
 3014 W LOMITAA BLVD
 TORRANCE, CALIFORNIA 90505
 FORMERLY REXNORD INC SPECIALITY FASTENER DIV IN HASBROUCK
 HEIGHTS, NEW JERSEY

72962 HARVARD INDUSTRIES INC
 3 WERNER WAY SUITE 210
 LEBANON, NEW JERSEY 08833
 FORMERLY ESNA V7A079
 FORMERLY ELASTIC STOP NUT IN UNION, NJ

80539 SPS TECHNOLOGIES INC DIV AERPSOACE - SANTA ANA
 2701 SOUTH HARBOR BOULEVARD
 SANTA ANA, CALIFORNIA 92704-5803
 FORMERLY NUTT-SHEL DIV OF SPC WESTERN CO V80539
 AND STANDARD PRESSED STEEL WESTERN DIV V17279

81205 BOEING CO THE
 7755 EAST MARGINAL WAY PO BOX 3707
 SEATTLE, WASHINGTON 98124

81590 KORRY ELECTRONIC INC SUB OF CRITON CORP
 901 DEXTER AVENUE NORTH
 SEATTLE, WASHINGTON 98109-3515
 FORMERLY KORRY, BORIS VB0021 AND KORRY MFG CO

91812 ESTERLINE MASON
 13955 BALVOA ROAD
 SYLMAR, CALIFORNIA 91342
 FORMERLY JANCO CORPORATION

91836 KINGS ELECTRONICS CO INC
 1685 OVERVIEW DR
 ROCK HILL, SOUTH CAROLINA 29730-7469
 FORMERLY IN TUCKAHOE, NY

91929 HONEYWELL INC MICRO SWITCH DIV
 11 WEST SPRING STREET
 FREEPORT, ILLINOIS 61032
 FORMERLY MICRO SWITCH A DIV OF HONEYWELL
 FORMERLY V74059 AND V40228

92215 FAIRCHILD IND INC FAIRCHILD AEROSPACE FASTENER DIV
 3010 W LOMITA BLVD
 TORRANCE, CALIFORNIA 90505-5102
 FORMERLY VOI-SHAN IN CULVER CITY, CALIF

31-11-61

 ILLUSTRATED PARTS LIST
 01.1 Page 1005
 Jul 01/05

VENDORS

96182 EATON CORP AEROSPACE AND COMMERCIAL CONTROLS DIV MSC PROD
1640 MONROVIA
COSTA MESA, CALIFORNIA 92627-4405
FORMERLY MASTER SPECIALITIES CO IN GARDENA, CALIFORNIA

31-11-61

ILLUSTRATED PARTS LIST
01.1 Page 1006
Jul 01/05


BOEING
 COMPONENT
 MAINTENANCE MANUAL

REFERENCE DESIGNATOR INDEX (SEE SCHEMATIC DIAGRAM)		
REFERENCE DESIGNATOR	PART NUMBER	FIG-ITEM
H1-H6	SF10G6CBA5D	2-240
H1-H6	SF12G6CBB5D	240A
H7	SF12G6CBA5D	242
H7	SF12G6CBB5D	242A
H8	SF12G6CBA5D	242
H8	SF12G6CBB5D	242A
L19	BCREF11666	1-75C
L19	BCREF11666	2-80A
L19	BCREF11666	3-110
L19	BCREF11666	4-160
L19	BCREF11666	5-165
L19	BCREF11666	6-110
L19	BCREF11666	7-85
L19	BCREF11666	8-90
L19	BCREF6229	1-75
L19	BCREF8565	75A
L19	BCREF8565	75B
L19	BCREF8565	2-80
L119	BCREF11648	1-95C
L119	BCREF11648	2-100A
L119	BCREF11648	3-175
L119	BCREF11648	4-195
L119	BCREF11648	5-200
L119	BCREF11648	6-135
L119	BCREF11648	7-120
L119	BCREF11648	8-125
L119	BCREF6209	1-95
L119	BCREF8526	95A
L119	BCREF8526	95B
L119	BCREF8526	2-100
L136	BCREF11649	1-65C
L136	BCREF11649	2-70A
L136	BCREF11649	4-150
L136	BCREF11649	5-155
L136	BCREF11649	6-90
L136	BCREF11649	7-70
L136	BCREF11649	8-75
L136	BCREF6227	1-65
L136	BCREF8563	65A
L136	BCREF8563	2-70
L474	BCREF11669	1-90C
L474	BCREF11669	3-165
L474	BCREF11669	4-185A
L474	BCREF11669	7-110
L474	BCREF11669	8-115

31-11-61

ILLUSTRATED PARTS LIST

01.1

Page 1007

Jul 01/05

REFERENCE DESIGNATOR INDEX (SEE SCHEMATIC DIAGRAM)

REFERENCE DESIGNATOR	PART NUMBER	FIG-ITEM
L474	BCREF11670	2-95A
L474	BCREF6264	1-90
L474	BCREF8584	90A
L474	BCREF8584	90B
L474	BCREF8584	2-95
L475	BCREF11669	90A
L475	BCREF11670	1-85C
L475	BCREF11670	3-170
L475	BCREF11670	4-190
L475	BCREF11670	5-195
L475	BCREF11670	6-130
L475	BCREF11670	7-115
L475	BCREF11670	8-120
L475	BCREF6263	1-85
L475	BCREF8583	85A
L475	BCREF8583	85B
L475	BCREF8583	2-90
L494	K4931	4-90C
L494	800-000121-1	90A
L494	800-000121-1	90B
L494	800-000121-1	6-55
L494	800-000121-1	57
L494	800-000121-1	7-55
L494	800-000121-1	8-40
L494	800000121-1	1-150
L494	800000121-1	2-155
L494	800000121-1	3-140
L494	800000121-1	5-90
L585	BCREF11638	1-35C
L585	BCREF11638	2-35A
L585	BCREF11638	3-125
L585	BCREF11638	4-120
L585	BCREF11638	5-125
L585	BCREF11638	6-40
L585	BCREF11638	42
L585	BCREF11638	7-30
L585	BCREF11638	8-45
L585	BCREF6217	1-35
L585	BCREF8535	35A
L585	BCREF8535	35B
L585	BCREF8535	2-35
L586	BCREF11644	1-40C
L586	BCREF11644	2-40A
L586	BCREF11644	3-130
L586	BCREF11644	4-125

31-11-61

 ILLUSTRATED PARTS LIST
 01.1 Page 1008
 Jul 01/05


BOEING
 COMPONENT
 MAINTENANCE MANUAL

REFERENCE DESIGNATOR INDEX (SEE SCHEMATIC DIAGRAM)		
REFERENCE DESIGNATOR	PART NUMBER	FIG-ITEM
L586	BCREF11644	5-130
L586	BCREF11644	6-45
L586	BCREF11644	47
L586	BCREF11644	7-35
L586	BCREF11644	8-50
L586	BCREF6218	1-40
L586	BCREF8537	40A
L586	BCREF8537	40B
L586	BCREF8537	2-40
L587	BCREF11647	1-45C
L587	BCREF11647	2-45A
L587	BCREF11647	3-135
L587	BCREF11647	4-130
L587	BCREF11647	5-135
L587	BCREF11647	6-50
L587	BCREF11647	52
L587	BCREF11647	7-40
L587	BCREF11647	8-55
L587	BCREF6219	1-45
L587	BCREF8538	45A
L587	BCREF8538	45B
L587	BCREF8538	2-45
L591	BCREF11665	1-70C
L591	BCREF11665	2-75A
L591	BCREF11665	3-105
L591	BCREF11665	4-155
L591	BCREF11665	5-160
L591	BCREF11665	6-100
L591	BCREF11665	7-75
L591	BCREF11665	8-80

31-11-61

 ILLUSTRATED PARTS LIST
 01.1 Page 1009
 Jul 01/05

REFERENCE DESIGNATOR INDEX (SEE SCHEMATIC DIAGRAM)

REFERENCE DESIGNATOR	PART NUMBER	FIG-ITEM
L591	BCREF6228	1-70
L591	BCREF8564	70A
L591	BCREF8564	70B
L591	BCREF8564	2-75
L601	BCREF6226	1-55
L601	BCREF8555	55A
L601	BCREF9430	55B
L603	BCREF11667	80C
L603	BCREF11667	2-85A
L603	BCREF11667	3-115
L603	BCREF11667	4-165
L603	BCREF11667	5-170
L603	BCREF11667	6-115
L603	BCREF11667	7-90
L603	BCREF11667	8-95
L603	BCREF6230	1-80
L603	BCREF8566	80A
L603	BCREF8566	80B
L603	BCREF8566	2-85
L605	BCREF11668	1-50C
L605	BCREF11668	2-55A
L605	BCREF11668	3-150
L605	BCREF11668	4-180
L605	BCREF11668	5-185
L605	BCREF11668	6-65
L605	BCREF11668	67
L605	BCREF11668	7-105
L605	BCREF11668	8-110
L605	BCREF6232	1-50
L605	BCREF8578	50A

31-11-61

ILLUSTRATED PARTS LIST

01.1 Page 1010

Jul 01/05


BOEING
 COMPONENT
 MAINTENANCE MANUAL

REFERENCE DESIGNATOR INDEX (SEE SCHEMATIC DIAGRAM)		
REFERENCE DESIGNATOR	PART NUMBER	FIG-ITEM
L605	BCREF8578	50B
L605	BCREF8578	2-50
L605	BCREF8578	55
L609	K4931	4-90C
L609	800-000121-1	90A
L609	800-000121-1	90B
L609	800-000121-1	6-55
L609	800-000121-1	57
L609	800-000121-1	7-55
L609	800-000121-1	8-40
L609	800000121-1	1-150
L609	800000121-1	2-160
L609	800000121-1	165
L609	800000121-1	3-140
L609	800000121-1	5-90
L662	K4931	4-90C
L662	800-000121-1	90A
L662	800-000121-1	90B
L662	800-000121-1	6-55
L662	800-000121-1	57
L662	800-000121-1	7-55
L662	800-000121-1	8-40
L662	800000121-1	1-150
L662	800000121-1	2-155
L662	800000121-1	3-140
L662	800000121-1	5-90
L681	BCREF8553	3-100
L681	BCREF8553	6-95
L691	BCREF8553	1-65D
L691	BCREF8555	65B
L716	BCREF11671	60C
L716	BCREF11671	2-65A
L716	BCREF11671	3-95
L716	BCREF11671	4-145
L716	BCREF11671	5-150
L716	BCREF11671	6-85
L716	BCREF11671	7-65
L716	BCREF11671	8-70
L716	BCREF7112	1-60
L716	BCREF8600	60A
L716	BCREF8600	60B
L716	BCREF8600	2-65
L890	BCREF11672	1-55C
L890	BCREF11672	2-60A
L890	BCREF11672	3-90

31-11-61

 ILLUSTRATED PARTS LIST
 01.1 Page 1011
 Jul 01/05

REFERENCE DESIGNATOR INDEX (SEE SCHEMATIC DIAGRAM)

REFERENCE DESIGNATOR	PART NUMBER	FIG-ITEM
L890	BCREF11672	4-140
L890	BCREF11672	5-145
L890	BCREF11672	6-80
L890	BCREF11672	7-60
L890	BCREF11672	8-65
L890	BCREF9430	1-55D
L890	BCREF9430	2-60
L1354	800-000121-1	8-40
M779	BCREF12066	1-100B
M779	BCREF12066	2-105B
M779	BCREF12066	3-85
M779	BCREF12066	4-135
M779	BCREF12066	5-140
M779	BCREF12066	6-105
M779	BCREF12066	7-80
M779	BCREF12066	8-85
M779	BCREF9079	1-100
M779	BCREF9079	2-105
S16	BCREFA0531	1-110B
S16	BCREFA0531	110D
S16	BCREFA0531	2-120
S16	BCREFA0531	120B
S16	BCREFA0531	3-120
S16	BCREFA0531	4-170
S16	BCREFA0531	5-175
S16	BCREFA0531	6-120
S16	BCREFA0531	7-95
S16	BCREFA0531	8-100
S16	BCREF7680	1-110
S16	S231T290-5070	110C
S16	S231T290-5070	2-120A
S16	4336731004-4270	4-170C
S16	4336731004-4270	6-122
S16	851-30768-3070	1-110A
S24	AC30-0003-3	155
S24	AC30-0003-3	2-170
S24	AC30-0003-3	3-25
S24	AC30-0003-3	4-50
S24	AC30-0003-3	5-50
S24	AC30-0003-3	6-160
S24	AC30-0003-3	7-145
S24	AC30-0003-3	8-150
S10170	2PB11H58	1-160
S10170	2PB11H58	2-175
S10170	2PB11H58	3-50

31-11-61

ILLUSTRATED PARTS LIST

01.1

Page 1012

Jul 01/05


BOEING
 COMPONENT
 MAINTENANCE MANUAL

REFERENCE DESIGNATOR INDEX (SEE SCHEMATIC DIAGRAM)		
REFERENCE DESIGNATOR	PART NUMBER	FIG-ITEM
S10170	2PB11H58	4-85
S10170	2PB11H58	5-85
S10170	2PB11H58	6-75
S10170	2PB11H58	7-50
S10170	2PB11H58	8-35
S10230	2PB11H58	1-160
S10230	2PB11H58	2-175
S10230	2PB11H58	3-50
S10230	2PB11H58	4-85
S10230	2PB11H58	5-85
S10230	2PB11H58	6-75
S10230	2PB11H58	7-50
S10230	2PB11H58	8-35
S474	BCREF11669	6-125
S547	BCREFA0810	1-47
S547	BCREFA0810	47B
S547	BCREFA0810	2-110
S547	BCREFA0810	115
S547	BCREFA0810	115B
S547	BCREFA0810	3-145
S547	BCREFA0810	4-175
S547	BCREFA0810	5-180
S547	BCREFA0810	6-60
S547	BCREFA0810	7-100
S547	BCREFA0810	8-105
S547	BCREF7746	1-47C
S547	S231T290-5075	47A
S547	S231T290-5075	2-110A
S547	S231T290-5075	115A
S547	4336731004-4275	4-175B

31-11-61

 ILLUSTRATED PARTS LIST
 01.1 Page 1013
 Jul 01/05

REFERENCE DESIGNATOR INDEX (SEE SCHEMATIC DIAGRAM)

REFERENCE DESIGNATOR	PART NUMBER	FIG-ITEM
S547	4336731004-4275	6-62A
S547	851-30768-3075	1-47D
S918	2PB11H58	8-35
S00918	2PB11H58	2-177
S961	BCREF11669	5-190A
S961	BCREF13443	3-160A
S962	4336731004-4257	6-68A
TS281	285T0112-4	1-115
TS281	285T0112-6	115A
TS281	285T0112-6	115B
TS281	285T0112-6	2-123
TS281	285T0112-6	3-55
TS281	285T0112-6	4-95
TS281	285T0112-6	5-95
TS281	285T0112-6	6-70
TS281	285T0112-6	7-45
TS281	285T0112-6	8-60

31-11-61

ILLUSTRATED PARTS LIST

01.1 Page 1014

Jul 01/05


BOEING
 COMPONENT
 MAINTENANCE MANUAL

PART NUMBER	AIRLINE PART NO.	FIG.	ITEM	TTL REQ
AC30-0003-3		1	155	1
		2	170	1
		3	25	1
		4	50	1
		5	50	1
		6	160	1
		7	145	1
		8	150	1
AN960C8L		1	325	8
		2	350	8
BACI12AEF1-20P		4	198	1
		6	213	1
BACN1TL3-3		8	330	4
BACN1TL3-6		8	335	2
BACN10JC08		1	330	8
BACN10JC3		1	370	1
		2	415A	1
BACN10JN08		8	320	2
BACN10NW1		1	20	4
		2	20	4
		3	40	4
		4	65	4
		4	67	4
		5	65	4
		6	195	4
		6	197	4
		7	175	4
		8	185	4
		8	185	4
BACN10TL3-10		1	360A	2
		2	400A	2
		3	295	2
		4	320	2
		5	325	2
		6	310	2
		7	255	2
		8	290	2

31-11-61

 ILLUSTRATED PARTS LIST
 01.1 Page 1015
 Jul 01/05

PART NUMBER	AIRLINE PART NO.	FIG.	ITEM	TTL REQ
BACN10TL3-24		2	385	1
		6	300	1
BACN10TL3-3		1	262	4
		1	285	4
		1	360	2
		2	310	4
		2	343	4
		2	400	2
		3	275	4
BACN10TL3-3		4	295	4
		5	300	4
		6	375	4
		7	335	4
BACN10TL3-6		1	263	2
		1	280	2
		2	305	2
		2	342	2
		3	280	2
		4	300	2
		5	305	2
		6	380	2
		7	340	2
BACN10TL3-8		4	322	1
		6	312	1
BACN10YR08CD		1	330A	8
		2	355A	8
		3	265	8
		4	285	8
		5	290	8
		6	345	8
BACN10YR3CD		1	370A	1
		2	414	1
		3	345	1
		4	365	1
		5	370	1
		6	285	1
		7	285	1
		8	240	1

31-11-61

 ILLUSTRATED PARTS LIST
 01.1 Page 1016
 Jul 01/05


BOEING
 COMPONENT
 MAINTENANCE MANUAL

PART NUMBER	AIRLINE PART NO.	FIG.	ITEM	TTL REQ
BACN10Y08CD		7	310	8
		8	350	8
BACR15BA3AD		1	261	12
		1	275	4
		1	355A	4
		1	450	6
		2	300	4
		2	341	12
		2	380A	2
		2	395A	4
		2	502	6
		3	270	12
		3	290	4
		3	315	6
		4	290	12
		4	315	4
BACR15BA3AD		4	317	2
		4	335	6
		5	295	12
		5	320	4
		5	340	6
		6	297	2
		6	307	4
		6	308	2
		6	360	12
		6	365	6
		7	315	18
		8	292	4
		8	315	22
BACR15BA6AD		1	227	3
		2	252	3
		3	205	3
		4	225	3
		5	230	3
		6	235	3
		7	215	3
		8	245	3

31-11-61

ILLUSTRATED PARTS LIST

01.1

Page 1017

Jul 01/05

PART NUMBER	AIRLINE PART NO.	FIG.	ITEM	TTL REQ
BACR15BB3AD		1	270	8
		1	355	4
		2	295	8
BACR15BB5AD		2	395	4
		4	387	2
		6	417	2
BACR15CE5AD		1	300	4
		2	325	4
		2	480	4
		3	360	4
		4	380	4
		4	382	4
		5	385	4
		6	410	4
		6	412	4
		7	365	4
		8	380	4
BACR15FT5AD		1	260	9
		1	290	2
		1	390A	2
		1	400	4
		2	285	9
		2	315	2
		2	470	2
		2	470	2
BACR15FT5AD		3	365	2
		4	385	2
		5	390	2
		6	415	2
		7	370	2
		8	385	2
		8	385	2
BACS12ER06K5		1	145A	3
		2	219	3
		3	10	3
		4	35	3
		5	35	3
		6	150	3
		7	135	3
		8	140	3

31-11-61

 ILLUSTRATED PARTS LIST
 01.1 Page 1018
 Jul 01/05


BOEING
 COMPONENT
 MAINTENANCE MANUAL

PART NUMBER	AIRLINE PART NO.	FIG.	ITEM	TTL REQ
BACS12ER06K6		1	146	6
		2	216A	6
		3	5	6
		4	30	6
		5	30	6
		6	140	6
		7	125	6
		8	130	6
BACS12ER08K10		1	320A	8
		2	345A	8
		3	255	8
		4	275	8
		5	280	8
		6	335	8
		7	300	8
		8	340	8
BACS12ER3K12		1	365A	1
		2	411	1
		3	330	1
		4	350	1
		5	355	1
		6	270	1
		7	270	1
		8	225	1
BACS12ER3K16		1	225A	2
		2	250A	2
		3	210	2
		4	230	2
		5	235	2
		6	240	2
		7	220	2
		8	250	2
BACS12ER3K16		4	57	4
BACS12HJ04K14		6	187	4
BACS12HJ3K5		4	260A	2
		6	320A	2
BACS12HJ3K8		4	196	1
		4	265A	2
		4	307	1
		6	211	1
		6	304	1
		6	325A	2

31-11-61

 ILLUSTRATED PARTS LIST
 01.1 Page 1019
 Jul 01/05

PART NUMBER	AIRLINE PART NO.	FIG.	ITEM	TTL REQ	
BACS21EE35RB		2	230B	1	
		2	232A	1	
		4	210	2	
		5	215	2	
		6	220	2	
		7	200	2	
		8	210	2	
	BACS21EE36RB		2	225B	1
		4	205	1	
		5	210	1	
		6	225	1	
		7	205	1	
		8	215	1	
BACS21EE37RB			4	207	1
			5	212	1
		6	227	1	
		7	207	1	
		8	217	1	
	BACS21Y35RB		1	205A	2
			2	230A	2
			3	190	2
BACS21Y36RB		1	200A	1	
		1	205	2	
		1	206	1	
		2	225A	1	
		2	230	2	
		2	232	1	
		3	185	2	
	BACS21Y37RB		1	200	1
		2	225	1	
BACS53B1EA2		1	365	1	
		2	410	1	
BACW10X2S		1	210A	4	
		2	235A	4	

31-11-61

 ILLUSTRATED PARTS LIST
 01.1 Page 1020
 Jul 01/05


BOEING
 COMPONENT
 MAINTENANCE MANUAL

PART NUMBER	AIRLINE PART NO.	FIG.	ITEM	TTL REQ	
BACW10X2S		3	195	4	
		4	215	4	
		5	220	4	
		6	230	4	
		7	210	4	
		8	220	4	
	BACW10X4		1	210	4
			2	235	4
BAC27TFDE0439			1	470	2
		2	510	2	
		3	395	2	
		4	425	2	
		4	427	2	
		5	430	2	
		6	450	2	
		6	452	2	
		7	400	1	
		8	420	2	
	BCREFA0531		1	110B	1
			2	120	1
			3	120	1
			4	170	1
		5	175	1	
		6	120	1	
		7	95	1	
		8	100	1	
BCREFA0810		1	47	1	
		2	110	1	
		2	115	1	
		3	145	1	
		4	175	1	
		5	180	1	
		6	60	1	
		7	100	1	
	8	105	1		

31-11-61

ILLUSTRATED PARTS LIST

01.1

Page 1021

Jul 01/05

PART NUMBER	AIRLINE PART NO.	FIG.	ITEM	TTL REQ
BCREF11638		1	35C	1
		2	35A	1
		3	125	1
		4	120	1
		5	125	1
		6	40	1
BCREF11638		6	42	1
		7	30	1
		8	45	1
BCREF11644		1	40C	1
		2	40A	1
		3	130	1
		4	125	1
		5	130	1
		6	45	1
		6	47	1
		7	35	1
BCREF11647		8	50	1
		1	45C	1
		2	45A	1
		3	135	1
		4	130	1
		5	135	1
		6	50	1
		6	52	1
BCREF11648		7	40	1
		8	55	1
		1	95C	1
		2	100A	1
		3	175	1
		4	195	1
		5	200	1
		6	135	1
	7	120	1	
	8	125	1	

31-11-61

 ILLUSTRATED PARTS LIST
 01.1 Page 1022
 Jul 01/05


BOEING
 COMPONENT
 MAINTENANCE MANUAL

PART NUMBER	AIRLINE PART NO.	FIG.	ITEM	TTL REQ
BCREF11649		1	65C	1
		2	70A	1
		4	150	1
		5	155	1
		6	90	1
		7	70	1
		8	75	1
	BCREF11665		1	70C
		2	75A	1
		3	105	1
		4	155	1
		5	160	1
		6	100	1
		7	75	1
		8	80	1
BCREF11666 BCREF11666		1	75C	1
		2	80A	1
		3	110	1
		4	160	1
		5	165	1
		6	110	1
		7	85	1
		8	90	1
BCREF11667		1	80C	1
		2	85A	1
		3	115	1
		4	165	1
		5	170	1
		6	115	1
		7	90	1
		8	95	1
BCREF11668		1	50C	1
		2	55A	1
		3	150	1
		4	180	1
		5	185	1
		6	65	1
		6	67	1
		7	105	1
	8	110	1	

31-11-61

 ILLUSTRATED PARTS LIST
 01.1 Page 1023
 Jul 01/05

PART NUMBER	AIRLINE PART NO.	FIG.	ITEM	TTL REQ
BCREF11669		1	90C	1
		2	90A	1
		3	165	1
		4	185A	1
		5	190A	1
		6	125	1
		7	110	1
		8	115	1
BCREF11670		1	85C	1
		2	95A	1
		3	170	1
		4	190	1
		5	195	1
		6	130	1
		7	115	1
		8	120	1
BCREF11671		1	60C	1
		2	65A	1
		3	95	1
		4	145	1
		5	150	1
BCREF11671		6	85	1
		7	65	1
		8	70	1
BCREF11672		1	55C	1
		2	60A	1
		3	90	1
		4	140	1
		5	145	1
		6	80	1
		7	60	1
		8	65	1
BCREF12066		1	100B	1
		2	105B	1
		3	85	1
		4	135	1
		5	140	1
		6	105	1
		7	80	1
		8	85	1
BCREF13443		3	160A	1
BCREF6209		1	95	1
BCREF6217		1	35	1
BCREF6218		1	40	1
BCREF6219		1	45	1

31-11-61

 ILLUSTRATED PARTS LIST
 01.1 Page 1024
 Jul 01/05


BOEING
 COMPONENT
 MAINTENANCE MANUAL

PART NUMBER	AIRLINE PART NO.	FIG.	ITEM	TTL REQ
BCREF6226		1	55	1
BCREF6227		1	65	1
BCREF6228		1	70	1
BCREF6229		1	75	1
BCREF6230		1	80	1
BCREF6232		1	50	1
BCREF6263		1	85	1
BCREF6264		1	90	1
BCREF7112		1	60	1
BCREF7680		1	110	1
BCREF7746		1	47C	1
BCREF8526		1	95A	1
		2	100	1
BCREF8535		1	35A	1
		2	35	1
BCREF8537		1	40A	1
		2	40	1
BCREF8538		1	45A	1
		2	45	1
BCREF8553		1	65D	1
		3	100	1
		6	95	1
BCREF8555		1	55A	1
		1	65B	1
BCREF8563		1	65A	1
		2	70	1
BCREF8564		1	70A	1
		2	75	1
BCREF8565		1	75A	1
		2	80	1
BCREF8566		1	80A	1
		2	85	1
BCREF8578		1	50A	1
		2	50	1
		2	55	1

31-11-61

 ILLUSTRATED PARTS LIST
 01.1 Page 1025
 Jul 01/05

PART NUMBER	AIRLINE PART NO.	FIG.	ITEM	TTL REQ
BCREF8583		1	85A	1
		2	90	1
BCREF8584		1	90A	1
		2	95	1
BCREF8600		1	60A	1
		2	65	1
BCREF9079		1	100	1
		2	105	1
BCREF9430		1	55B	1
		2	60	1
BP248-127		4	5	1
		5	5	1
		6	5	1
		7	5	1
		8	5	1
		8	320	2
		1	330	8
		1	370	1
CN0942-057PN		2	415A	1
		1	30	2
		2	30	2
		3	47	2
		4	75	2
		5	75	2
		6	205	2
		7	185	2
H10-08BAC		8	195	2
		1	330	8
H10-3BAC		1	370	1
		2	415A	1
H52732-08CD		1	330A	8
		2	355A	8
		3	265	8
		4	285	8
		5	290	8
		6	345	8

31-11-61

 ILLUSTRATED PARTS LIST
 01.1 Page 1026
 Jul 01/05


BOEING
 COMPONENT
 MAINTENANCE MANUAL

PART NUMBER	AIRLINE PART NO.	FIG.	ITEM	TTL REQ
H52732-3CD		1	370A	1
		2	414	1
		3	345	1
		4	365	1
		5	370	1
		6	285	1
		7	285	1
		8	240	1
K19798-04		1	20	4
		2	20	4
		3	40	4
		4	65	4
		4	67	4
		5	65	4
		6	195	4
		6	197	4
K4931		7	175	4
		8	185	4
		4	90C	3
		8	320	2
		8	320	2
		2	415	1
		2	355	8
		1	430	8
MF1000-08BAC		2	443	8
		1	245	2
		2	270	2
MF53049-08		3	225	2
		4	245	2
		5	250	2
MS21042L08		6	255	2
		7	235	2
		8	265	2
MS21042L3				
MS21209C0825P				
MS21209F1-30				
MS21209F1-30				

31-11-61

 ILLUSTRATED PARTS LIST
 01.1 Page 1027
 Jul 01/05

PART NUMBER	AIRLINE PART NO.	FIG.	ITEM	TTL REQ
MS35650-305T		1	372	1
		2	413	1
		3	340	1
		4	360	1
		5	365	1
		6	280	1
		7	280	1
		8	235	1
NAS1149CN816R		1	325A	8
		2	350A	8
		3	260	8
		4	280	8
		5	285	8
		6	340	8
		7	305	8
		8	345	8
NAS1149D0332J		4	308	1
NAS1149D0363H		6	306	1
		4	355	1
NAS1149D0363J		5	360	1
		6	275	1
		7	275	1
		8	230	1
		1	367A	1
		2	412A	1
		3	335	1
		1	15	4
NAS42DD4-34		2	15	4
		3	35	4
		4	60	4
		4	62A	4
		5	60	4
		6	190	4
		7	170	4
NAS42DD4-34FC		4	62	4
		6	192	4
		8	180	4
NAS42DD6-88		2	375	1
NAS514P1032-16		6	295	1
		1	225	2
NAS514P1032-16		2	250	2
NAS514P632-18		1	145	3
		2	150	3
NAS514P832-10		1	320	8
		2	345	8

31-11-61

 ILLUSTRATED PARTS LIST
 01.1 Page 1028
 Jul 01/05


BOEING
 COMPONENT
 MAINTENANCE MANUAL

PART NUMBER	AIRLINE PART NO.	FIG.	ITEM	TTL REQ
NAS514P832-8		1	220	8
		2	245	8
NAS600-13P		1	10	4
		2	10	4
NAS600-14P		1	10D	4
		2	10D	4
NAS603-5P		1	250	2
		1	345	2
		2	275	2
		2	370	1
		2	390	2
NAS603-9P		1	252	2
		2	277	2
NAS8200A13		1	10A	4
		2	10A	4
		3	30	4
		7	165	4
NAS8200A14		1	10B	4
		2	10B	4
		4	55	4
		5	55	4
		6	185	4
		8	175	4
NAS8203A26		2	370A	1
		6	290	1
NAS8203A5		1	252A	2
		2	275A	2
		3	240	2
		4	260	2
		5	265	2
		6	320	2
		7	290	2
		8	300	2

31-11-61

 ILLUSTRATED PARTS LIST
 01.1 Page 1029
 Jul 01/05

PART NUMBER	AIRLINE PART NO.	FIG.	ITEM	TTL REQ
NAS8203A8		1	250B	2
		1	345B	2
		2	277B	2
		2	390B	2
NAS8203A8		3	245	2
		3	285	2
		4	265	2
		4	305	2
		5	270	2
		5	310	2
		6	305	2
		6	325	2
		7	250	2
		7	295	2
		8	285	2
		8	305	2
		8	320	2
		NS103218-82		1
NS202101-02		2	415A	1
NS202101-82		1	330	8
		2	355A	8
		3	265	8
		4	285	8
		5	290	8
		6	345	8
PLH53CD		1	370A	1
		2	414	1
		3	345	1
		4	365	1
		5	370	1
		6	285	1
		7	285	1
		8	240	1

31-11-61

 ILLUSTRATED PARTS LIST
 01.1 Page 1030
 Jul 01/05


BOEING
 COMPONENT
 MAINTENANCE MANUAL

PART NUMBER	AIRLINE PART NO.	FIG.	ITEM	TTL REQ	
RMA4812-160-40		1	20	4	
		2	20	4	
		3	40	4	
		4	65	4	
		4	67	4	
		5	65	4	
		6	195	4	
		6	197	4	
		7	175	4	
		8	185	4	
		8	320	2	
	RMF9201M82		1	370	1
	RMLH9075-3W		2	415A	1
RMLH9075-82W		1	330	8	
SF10G6CBA5D		1	215	6	
SF10G6CBA5D		2	240	6	
SF12G6CBA5D		2	242	2	
SF12G6CBB5D		1	215B	6	
		2	240A	6	
		2	242A	2	
		3	200	6	
		4	410	6	
		5	415	6	
		6	400	6	
		7	355	6	
		8	370	8	
S231T290-1070		1	110	1	
S231T290-1075		1	47C	1	
S231T290-3070		1	110A	1	
S231T290-3075		1	47D	1	
S231T290-4070		1	110B	1	
		2	120	1	
		3	120	1	
		4	170	1	
		5	175	1	
		6	120	1	
		7	95	1	
		8	100	1	

31-11-61

 ILLUSTRATED PARTS LIST
 01.1 Page 1031
 Jul 01/05

PART NUMBER	AIRLINE PART NO.	FIG.	ITEM	TTL REQ
S231T290-4075		1	47	1
		2	110	1
		2	115	1
		3	145	1
		4	175	1
		5	180	1
		6	60	1
		7	100	1
S231T290-4119		8	105	1
		3	160A	1
S231T290-4257		6	68A	1
S231T290-4270		4	170C	1
		6	122	1
S231T290-4275		4	175B	1
		6	62A	1
S231T290-5070		1	110C	1
		2	120A	1
S231T290-5075		1	47A	1
S231T290-5075		2	110A	1
		2	115A	1
S231T290-821		3	155	1
		6	69	1
S231T300-1010		1	95	1
S231T300-1054		1	35	1
S231T300-1070		1	40	1
S231T300-1082		1	45	1
S231T300-1153		1	55	1
S231T300-1224		1	65	1
S231T300-1225		1	70	1
S231T300-1226		1	75	1
S231T300-1227		1	80	1
S231T300-1257		1	50	1
S231T300-1264		1	85	1
S231T300-1265		1	90	1
S231T300-1300		1	60	1

31-11-61

 ILLUSTRATED PARTS LIST
 01.1 Page 1032
 Jul 01/05


BOEING
 COMPONENT
 MAINTENANCE MANUAL

PART NUMBER	AIRLINE PART NO.	FIG.	ITEM	TTL REQ
S231T300-2010		1	95A	1
		2	100	1
S231T300-2054		1	35A	1
		2	35	1
S231T300-2070		1	40A	1
		2	40	1
S231T300-2082		1	45A	1
		2	45	1
S231T300-2128		1	65D	1
		3	100	1
		6	95	1
S231T300-2153		1	55A	1
		1	65B	1
S231T300-2224		1	65A	1
		2	70	1
S231T300-2225		1	70A	1
		2	75	1
S231T300-2226		1	75A	1
		2	80	1
S231T300-2227		1	80A	1
		2	85	1
S231T300-2257		1	50A	1
		2	50	1
		2	55	1
S231T300-2264		1	85A	1
		2	90	1
S231T300-2265		1	90A	1
		2	95	1
S231T300-2300		1	60A	1
		2	65	1
S231T300-2308		1	55B	1
		2	60	1
S231T300-2339		1	95C	1
		2	100A	1
		3	175	1
		4	195	1
		5	200	1
		6	135	1
		7	120	1
		8	125	1

31-11-61

 ILLUSTRATED PARTS LIST
 01.1 Page 1033
 Jul 01/05

PART NUMBER	AIRLINE PART NO.	FIG.	ITEM	TTL REQ
S231T300-2340		1	35C	1
		2	35A	1
		3	125	1
		4	120	1
		5	125	1
		6	40	1
		6	42	1
		7	30	1
S231T300-2341		8	45	1
		1	40C	1
		2	40A	1
		3	130	1
		4	125	1
		5	130	1
		6	45	1
		6	47	1
S231T300-2342		7	35	1
		8	50	1
		1	45C	1
		2	45A	1
		3	135	1
		4	130	1
		5	135	1
		6	50	1
S231T300-2342		6	52	1
		7	40	1
		8	55	1
		1	65C	1
		2	70A	1
		4	150	1
		5	155	1
		6	90	1
S231T300-2343		7	70	1
		8	75	1

31-11-61

 ILLUSTRATED PARTS LIST
 01.1 Page 1034
 Jul 01/05


BOEING
 COMPONENT
 MAINTENANCE MANUAL

PART NUMBER	AIRLINE PART NO.	FIG.	ITEM	TTL REQ
S231T300-2344		1	70C	1
		2	75A	1
		3	105	1
		4	155	1
		5	160	1
		6	100	1
		7	75	1
		8	80	1
S231T300-2345		1	75C	1
		2	80A	1
		3	110	1
		4	160	1
		5	165	1
		6	110	1
		7	85	1
		8	90	1
S231T300-2346		1	80C	1
		2	85A	1
		3	115	1
		4	165	1
		5	170	1
		6	115	1
		7	90	1
		8	95	1
S231T300-2353		1	50C	1
		2	55A	1
		3	150	1
		4	180	1
		5	185	1
		6	65	1
		7	105	1

31-11-61

ILLUSTRATED PARTS LIST

01.1

Page 1035

Jul 01/05

PART NUMBER	AIRLINE PART NO.	FIG.	ITEM	TTL REQ
S231T300-2353 S231T300-2354		8	110	1
		1	90C	1
		2	90A	1
		3	165	1
		4	185A	1
		5	190A	1
		6	125	1
		7	110	1
S231T300-2355		8	115	1
		1	85C	1
		2	95A	1
		3	170	1
		4	190	1
		5	195	1
		6	130	1
		7	115	1
S231T300-2359		8	120	1
		1	60C	1
		2	65A	1
		3	95	1
		4	145	1
		5	150	1
		6	85	1
		7	65	1
S231T300-2361		8	70	1
		1	55C	1
		2	60A	1
		3	90	1
		4	140	1
		5	145	1
		6	80	1
		7	60	1
S231T301-2104		8	65	1
		1	100	1
S231T301-2105		2	105	1
		1	100B	1
		2	105B	1
		3	85	1
		4	135	1
		5	140	1
		6	105	1
		7	80	1
	8	85	1	

31-11-61

 ILLUSTRATED PARTS LIST
 01.1 Page 1036
 Jul 01/05


BOEING
 COMPONENT
 MAINTENANCE MANUAL

PART NUMBER	AIRLINE PART NO.	FIG.	ITEM	TTL REQ
S233T100-022		4	10A	1
S233T100-022		5	10A	1
		6	10A	1
		7	10A	1
		8	15A	1
S233T100-023		4	15A	1
		5	15A	1
		6	15	1
		7	15	1
		8	20	1
S233T100-072		6	20A	1
S233T100-5014		4	20A	1
		5	20A	1
		6	25A	1
		7	20A	1
		8	25A	1
S233T100-5023		8	10	1
S283T022-3		1	155	1
		2	170	1
		3	25	1
		4	50	1
		5	50	1
		6	160	1
		7	145	1
		8	150	1
T6S1032J		1	370	1
		2	415A	1
T6S832J		1	330	8
T8124S08S		8	320	2
VNS1924CA2-8		1	365	1
VNS1924CA2-8		2	410	1
VNS1924CA3-2-8		1	365	1
		2	410	1
VN252A82		8	320	2
VN303A02		1	370	1
		2	415A	1
VN303A82		1	330	8
WSI4-10		1	360A	2
		2	400A	2
		3	295	2
		4	320	2
		5	325	2
		6	310	2
		7	255	2
		8	290	2

31-11-61

ILLUSTRATED PARTS LIST

01.1

Page 1037

Jul 01/05

PART NUMBER	AIRLINE PART NO.	FIG.	ITEM	TTL REQ		
WSI4-24		2	385	1		
		6	300	1		
WSI4-3		1	262	4		
		1	285	4		
		1	360	2		
		2	310	4		
		2	343	4		
		2	400	2		
		3	275	4		
		4	295	4		
		5	300	4		
		6	375	4		
		7	335	4		
		WSI4-6		1	263	2
				1	280	2
2	305			2		
2	342			2		
3	280			2		
4	300			2		
5	305			2		
6	380			2		
7	340			2		
4	322			1		
WSI4-8		6	312	1		
		6	312	1		
012002-101		1	455	3		
		2	503	3		
		3	320	3		
		4	340	3		
		5	345	3		
		6	370	3		
012002-101		7	320	3		
		8	325	3		
012002-103		1	228	1		
		2	253	1		
		3	215	1		
		4	235	1		
		5	240	1		
		6	245	1		
		7	225	1		
		8	255	1		

31-11-61

 ILLUSTRATED PARTS LIST
 01.1 Page 1038
 Jul 01/05


BOEING
 COMPONENT
 MAINTENANCE MANUAL

PART NUMBER	AIRLINE PART NO.	FIG.	ITEM	TTL REQ
1127700		1	210	4
		2	235	4
1127723		1	210A	4
		2	235A	4
		3	195	4
		4	215	4
		5	220	4
		6	230	4
		7	210	4
		8	220	4
120492BL		1	335	1
		2	360	1
		3	305	1
		4	325	1
		5	330	1
		6	350	1
		7	325	1
		8	355	1
120492BR		1	340	1
		2	365	1
		3	310	1
		4	330	1
		5	335	1
		6	355	1
		7	330	1
		8	360	1
123-03004A3		1	140	1
		2	145	1
123-10D		1	120	1
		2	125	1
		2	130	1

31-11-61

ILLUSTRATED PARTS LIST

01.1

Page 1039

Jul 01/05

PART NUMBER	AIRLINE PART NO.	FIG.	ITEM	TTL REQ
123-3D		1	135	5
		2	135	4
		2	137	1
123-3215F		1	120A	1
123-3215F		2	125B	1
		3	60	1
		4	100	1
		5	105	1
		6	165	2
		6	167	1
		8	155	1
123-3215G		2	125A	1
123-3232F		1	135A	5
		2	135B	4
		2	137B	1
		3	75	5
		4	110	5
		4	112	3
		5	115	5
		6	170	5
		6	172	3
		7	155	4
		8	160	5
123-3232G		2	135A	4
		2	137A	1
		4	107	1
		6	173	1
123-3232HJ		1	140A	1
		2	145B	1
		3	80	1
		4	115	1
		5	120	1
		6	180	1
		7	160	1
		8	170	1

31-11-61

 ILLUSTRATED PARTS LIST
 01.1 Page 1040
 Jul 01/05


BOEING
 COMPONENT
 MAINTENANCE MANUAL

PART NUMBER	AIRLINE PART NO.	FIG.	ITEM	TTL REQ
123-3232HK		2	145A	1
123-4D		1	125	1
		2	140	1
123-4040F		1	125A	1
		2	140B	1
		3	65	1
		4	105	1
		5	110	1
		6	175	1
		7	150	1
		8	165	1
123-4040G		2	140A	1
123RG1840		1	130	1
123RG1840F		1	130A	1
123RG1840F		3	70	1
		5	100	1
2PB11H58		1	160	2
		2	175	2
		2	177	1
		3	50	2
		4	85	2
		5	85	2
		6	75	2
		7	50	2
		8	35	3
233N2213-1		1	310	1
		2	335	1
233N2213-22		1	405	1
		2	485	1
		3	370	1
		4	390	1
		5	395	1
		6	420	1
		7	375	1
		8	390	1

31-11-61

ILLUSTRATED PARTS LIST

01.1

Page 1041

Jul 01/05

PART NUMBER	AIRLINE PART NO.	FIG.	ITEM	TTL REQ
233N2213-4		1	305	1
		2	330	1
233N2213-6		1	315	1
		2	340	1
233N2229-13		2	490	1
233N2229-14		2	495	1
233T2218-11		1	240	1
		2	265	1
		3	235	1
		4	255	1
		5	260	1
		6	265	1
		7	245	1
		8	275	1
233T2218-9		1	230	1
		2	255	1
		3	220	1
		4	240	1
		5	245	1
		6	250	1
		7	230	1
		8	260	1
233T2219-12		3	300	1
		6	317	1
233T2219-13		4	270	1
		5	275	1
		6	330	1
		7	345	1
		8	310	1
233T2219-14		6	330A	1
		1	350	1
233T2219-4		2	405	1
		4	310	1
		5	315	1
		6	315	1
		7	260	1
		8	295	1
		1	255	1
		2	280	1
233T2219-8		3	250	1
		1	165	2
233T2220-10		2	180	1
		2	185	1
		2	190	1
		2	190	1

31-11-61

 ILLUSTRATED PARTS LIST
 01.1 Page 1042
 Jul 01/05


BOEING
 COMPONENT
 MAINTENANCE MANUAL

PART NUMBER	AIRLINE PART NO.	FIG.	ITEM	TTL REQ
233T2220-11		1	175	2
		2	200	2
		2	202	1
233T2220-12		1	170	2
		2	195	2
		2	197	1
233T2220-13		1	180	1
		2	205	1
233T2220-14		1	190	1
		2	215	1
233T2220-15		1	185	1
		2	210	1
233T2221-3		1	235	1
		2	260	1
		3	230	1
		4	250	1
		5	255	1
		6	260	1
		7	240	1
		8	270	1
233T2222-100		6	35	1
233T2222-101		7	25	1
233T2222-102		8	30	1
233T2222-103		4	27	1
233T2222-104		6	37	1
233T2222-301		1	1V	RF
		4	1A	RF
233T2222-302		1	1W	RF
		5	1A	RF
233T2222-303		1	1X	RF
		4	1B	RF

31-11-61

 ILLUSTRATED PARTS LIST
 01.1 Page 1043
 Jul 01/05

PART NUMBER	AIRLINE PART NO.	FIG.	ITEM	TTL REQ
233T2222-304		1	1Y	RF
		6	1A	RF
233T2222-305		1	1Z	RF
		4	1C	RF
233T2222-306		1	2	RF
		4	1D	RF
233T2222-307		1	2A	RF
		5	1B	RF
233T2222-308		1	2B	RF
		6	1B	RF
233T2222-309		1	2C	RF
		6	1C	RF
233T2222-31		1	1	RF
233T2222-310		1	2D	RF
		7	1A	RF
233T2222-311		1	2E	RF
		4	1E	RF
233T2222-312		1	2F	RF
		8	1A	RF
233T2222-313		1	2G	RF
		4	1F	RF
233T2222-320		1	2H	RF
		8	1B	RF
233T2222-321		1	2J	RF
		4	1G	RF
233T2222-322		1	2K	RF
		6	1D	RF
233T2222-67		1	1C	RF
		2	1	RF
233T2222-74		1	1B	RF
		2	1A	RF
233T2222-75		1	1D	RF
		2	1B	RF
233T2222-81		1	1F	RF
		2	1C	RF

31-11-61

 ILLUSTRATED PARTS LIST
 01.1 Page 1044
 Jul 01/05


BOEING
 COMPONENT
 MAINTENANCE MANUAL

PART NUMBER	AIRLINE PART NO.	FIG.	ITEM	TTL REQ
233T2222-82		1	1G	RF
		2	1D	RF
233T2222-83		1	1H	RF
		2	1E	RF
233T2222-85		1	1K	RF
		2	1F	RF
233T2222-87		1	1M	RF
		2	1G	RF
233T2222-88		1	1N	RF
		2	1H	RF
233T2222-89		1	1P	RF
		2	1J	RF
233T2222-92		1	1R	RF
		2	1K	RF
233T2222-93		1	1S	RF
		3	1A	RF
233T2222-96		1	1U	RF
		2	1L	RF
233T2222-97		4	25	1
233T2222-98		5	25	1
233T2222-99		6	30	1
233T2224-1		2	220A	1
233T2224-18		2	445	1
233T2224-19		2	440	1
233T2224-2		2	445A	1
233T2224-20		2	435	1
233T2224-21		2	220	1
233T2224-22		2	220B	1
233T2224-23		2	445B	1
233T2224-24		2	440B	1
233T2224-25		2	435B	1
233T2224-26		2	220C	1
233T2224-27		2	500	1
233T2224-28		2	220D	1
233T2224-29		2	500A	1
233T2224-3		2	440A	1
233T2224-30		1	195A	1
233T2224-31		1	380A	1

31-11-61

 ILLUSTRATED PARTS LIST
 01.1 Page 1045
 Jul 01/05

PART NUMBER	AIRLINE PART NO.	FIG.	ITEM	TTL REQ
233T2224-32		2	220E	1
233T2224-33		2	500B	1
233T2224-34		2	220F	1
233T2224-35		2	500C	1
233T2224-37		2	460	1
233T2224-38		2	460A	1
233T2224-39		1	375A	1
233T2224-4		2	435A	1
233T2224-40		2	460B	1
233T2224-41		2	460C	1
233T2224-42		2	220G	1
233T2224-43		2	460D	1
233T2224-44		2	500D	1
233T2224-45		2	220H	1
233T2224-46		2	460E	1
233T2224-47		2	500E	1
233T2224-48		1	195B	1
233T2224-49		1	375B	1
233T2224-5		1	195	1
233T2224-50		1	380B	1
233T2224-51		2	220J	1
233T2224-52		2	460F	1
233T2224-53		2	500F	1
233T2224-54		2	220K	1
233T2224-55		2	460G	1
233T2224-56		2	500G	1
233T2224-57		3	180	1
233T2224-58		3	350	1
233T2224-59		3	390	1
233T2224-6		1	375	1
233T2224-61		2	220L	1
233T2224-62		2	460H	1
233T2224-63		2	500H	1
233T2224-64		4	200	1
233T2224-65		4	370	1
233T2224-66		5	205	1
233T2224-67		5	375	1
233T2224-68		6	215	1
233T2224-69		6	390	1
233T2224-7		1	440	1
233T2224-70		6	215A	1
233T2224-71		6	395	1
233T2224-72		7	195	1
233T2224-73		7	350	1
233T2224-74		6	445	1

31-11-61

 ILLUSTRATED PARTS LIST
 01.1 Page 1046
 Jul 01/05


BOEING
 COMPONENT
 MAINTENANCE MANUAL

PART NUMBER	AIRLINE PART NO.	FIG.	ITEM	TTL REQ
233T2224-75		7	395	1
233T2224-76		4	415	1
233T2224-77		5	420	1
233T2224-78		6	440	1
233T2224-79		8	205	1
233T2224-8		1	420	1
233T2224-80		8	365	1
233T2224-81		8	410	1
233T2224-82		4	202	1
233T2224-83		4	372	1
233T2224-84		4	415A	1
233T2224-85		6	217	1
233T2224-86		6	397	1
233T2224-87		6	447	1
233T2226-1		1	425	1
		2	442	1
233T2226-4		1	435	1
		2	444	1
233T2228-11		4	375	1
		5	380	1
		6	405	1
		7	360	1
		8	375	1
233T2228-13		4	377	1
		6	407	1
233T2228-2		1	265	1
		2	290	1
233T2228-7		1	385A	1
		2	465	1
		3	355	1
233T2229-10		1	395	1
		2	475	1
		3	375	1
		4	395	1
		5	400	1
		6	425	1
		7	380	1
		8	395	1

31-11-61

ILLUSTRATED PARTS LIST

01.1

Page 1047

Jul 01/05

PART NUMBER	AIRLINE PART NO.	FIG.	ITEM	TTL REQ
233T2229-13		1	410	1
		3	380	1
233T2229-14		1	415	1
		3	385	1
233T2229-19		1	456	1
		2	504	1
		3	325	1
		4	345A	1
		6	385	1
		7	265	1
		8	280	1
233T2229-2		1	295	1
233T2229-2		2	320	1
233T2229-21		4	400	1
		5	405	1
		6	430	1
		7	385	1
		8	400	1
233T2229-22		4	405	1
		5	410	1
		6	435	1
		7	390	1
		8	405	1
233T2229-24		4	397	1
		6	427	1
233T2229-25		4	402	1
		6	432	1
233T2229-26		4	407	1
		6	437	1
233T2229-27		4	392	1
		6	422	1
233T2229-8		2	430	1
233T2233-3		4	420A	1
		6	445	1
		8	415	1

31-11-61

 ILLUSTRATED PARTS LIST
 01.1 Page 1048
 Jul 01/05


BOEING
 COMPONENT
 MAINTENANCE MANUAL

PART NUMBER	AIRLINE PART NO.	FIG.	ITEM	TTL REQ
233T2233-4		5	425	1
233T2233-5		4	420B	1
233T2311-4		4	197	1
		6	212	1
233T3211-3		4	199	1
		6	214	1
233T6200-214		1	148	1
		2	218	1
		3	20	1
		4	45	1
		5	45	1
		6	155	1
		7	140	1
		8	145	1
2600LW		1	210	4
		2	235	4
2600SW2		1	210A	4
		2	235A	4
		3	195	4
		4	215	4
		5	220	4
		6	230	4
2600SW2		7	210	4
		8	220	4
280T1002-1		1	5	2
		2	5	2
		3	45	2
		4	70	2
		4	72	2
		5	70	2
		6	200	2
		6	202	2
		7	180	2
		8	190	2

31-11-61

ILLUSTRATED PARTS LIST

01.1

Page 1049

Jul 01/05

PART NUMBER	AIRLINE PART NO.	FIG.	ITEM	TTL REQ
280T1002-2		1	25	2
		2	25	2
		3	48A	2
		4	80A	2
		5	80A	2
		6	210A	2
		7	190A	2
		8	200	2
285T0112-4		1	115	1
		2	123	1
		3	55	1
		4	95	1
		5	95	1
		6	70	1
		7	45	1
		8	60	1
285T2229-19		5	350A	3
286T0013		1	465	1
		2	505	1
286T0013-OAE		4	435	1
		6	460A	1
		7	405A	1
286T0013-OAF		4	435A	1
		5	440A	1
286T0013-OAG		4	435B	1
		6	460	1
286T0013-OAH		4	435C	1
		5	440	1
286T0013-OAM		6	460B	1
286T0013-OAS		8	430A	1
286T0013-OAU		6	460C	1
286T0015		1	460	1
288T3013-1		8	425	1
293162		1	20	4
		2	20	4
		3	40	4
		4	65	4
		4	67	4
		5	65	4
		6	195	4
		6	197	4
7	175	4		
8	185	4		

31-11-61

 ILLUSTRATED PARTS LIST
 01.1 Page 1050
 Jul 01/05


BOEING
 COMPONENT
 MAINTENANCE MANUAL

PART NUMBER	AIRLINE PART NO.	FIG.	ITEM	TTL REQ
350-1		1	445	39
		2	420	35
		2	425	4
433-100-002		3	155	1
		6	69	1
433-673-1001-1070		1	110	1
433-673-1001-1075		1	47C	1
433-673-1004-4070		1	110B	1
		2	120	1
		3	120	1
		4	170	1
		5	175	1
		6	120	1
		7	95	1
		8	100	1
433-673-1004-4075		1	47	1
		2	110	1
		2	115	1
		3	145	1
		4	175	1
		5	180	1
		6	60	1
		7	100	1
433-673-1004-4119		8	105	1
		3	160A	1
433-674-1031-2354		4	185A	1
		5	190A	1
		7	110	1
		8	115	1
4336731004-4257		6	68A	1
4336731004-4270		4	170C	1
4336731004-4275		6	122	1
		4	175B	1
		6	62A	1

31-11-61

 ILLUSTRATED PARTS LIST
 01.1 Page 1051
 Jul 01/05

PART NUMBER	AIRLINE PART NO.	FIG.	ITEM	TTL REQ
434-674-1005-1010		1	95	1
434-674-1005-1054		1	35	1
434-674-1005-1070		1	40	1
434-674-1005-1082		1	45	1
434-674-1005-1153		1	55	1
434-674-1005-1224		1	65	1
434-674-1005-1225		1	70	1
434-674-1005-1226		1	75	1
434-674-1005-1227		1	80	1
434-674-1005-1257		1	50	1
434-674-1005-1264		1	85	1
434-674-1005-1265		1	90	1
434-674-1005-1300		1	60	1
434-674-1031-2010		1	95A	1
		2	100	1
434-674-1031-2054		1	35A	1
		2	35	1
434-674-1031-2070		1	40A	1
		2	40	1
434-674-1031-2082		1	45A	1
		2	45	1
434-674-1031-2128		1	65D	1
		3	100	1
		6	95	1
434-674-1031-2153		1	55A	1
		1	65B	1
434-674-1031-2224		1	65A	1
		2	70	1
434-674-1031-2225		1	70A	1
		2	75	1
434-674-1031-2226		1	75A	1
		2	80	1

31-11-61

 ILLUSTRATED PARTS LIST
 01.1 Page 1052
 Jul 01/05


BOEING
 COMPONENT
 MAINTENANCE MANUAL

PART NUMBER	AIRLINE PART NO.	FIG.	ITEM	TTL REQ
434-674-1031-2227		1	80A	1
		2	85	1
434-674-1031-2257		1	50A	1
		2	50	1
		2	55	1
434-674-1031-2264		1	85A	1
		2	90	1
434-674-1031-2265		1	90A	1
		2	95	1
434-674-1031-2300		1	60A	1
		2	65	1
434-674-1031-2308		1	55B	1
		2	60	1
434-674-1031-2310		1	95C	1
		2	100A	1
		3	175	1
		4	195	1
		5	200	1
		6	135	1
		7	120	1
		8	125	1
434-674-1031-2340		1	35C	1
		2	35A	1
		3	125	1
		4	120	1
		5	125	1
		6	40	1
		6	42	1
		7	30	1
434-674-1031-2341		8	45	1
		1	40C	1
		2	40A	1
		3	130	1
		4	125	1
		5	130	1
		7	35	1
		8	50	1

31-11-61

 ILLUSTRATED PARTS LIST
 01.1 Page 1053
 Jul 01/05

PART NUMBER	AIRLINE PART NO.	FIG.	ITEM	TTL REQ
434-674-1031-2342		1	45C	1
		2	45A	1
		3	135	1
434-674-1031-2342		4	130	1
		5	135	1
		6	50	1
		6	52	1
		7	40	1
434-674-1031-2343		8	55	1
		1	65C	1
		2	70A	1
		4	150	1
		5	155	1
		6	90	1
		7	70	1
		8	75	1
434-674-1031-2344		1	70C	1
		2	75A	1
		3	105	1
		4	155	1
		5	160	1
		6	100	1
		7	75	1
		8	80	1
434-674-1031-2345		1	75C	1
		2	80A	1
		3	110	1
		4	160	1
		5	165	1
		6	110	1
		7	85	1
		8	90	1
434-674-1031-2346		1	80C	1
		2	85A	1
		3	115	1
		4	165	1
		5	170	1
		6	115	1
		7	90	1
		8	95	1

31-11-61

 ILLUSTRATED PARTS LIST
 01.1 Page 1054
 Jul 01/05


BOEING
 COMPONENT
 MAINTENANCE MANUAL

PART NUMBER	AIRLINE PART NO.	FIG.	ITEM	TTL REQ		
434-674-1031-2353		1	50C	1		
		2	55A	1		
		3	150	1		
		4	180	1		
		5	185	1		
		6	65	1		
		6	67	1		
434-674-1031-2353		7	105	1		
		8	110	1		
434-674-1031-2354		1	90C	1		
		2	90A	1		
		3	165	1		
		6	125	1		
		434-674-1031-2355		1	85C	1
				2	95A	1
434-674-1031-2355		3	170	1		
		4	190	1		
		5	195	1		
		6	130	1		
		7	115	1		
		8	120	1		
		434-674-1031-2359		1	60C	1
				2	65A	1
3	95			1		
4	145			1		
5	150			1		
6	85			1		
7	65			1		
8	70			1		
434-674-1031-2361		1	55C	1		
		2	60A	1		
		3	90	1		
		4	140	1		
		5	145	1		
		6	80	1		
		7	60	1		
		8	65	1		

31-11-61

 ILLUSTRATED PARTS LIST
 01.1 Page 1055
 Jul 01/05

PART NUMBER	AIRLINE PART NO.	FIG.	ITEM	TTL REQ
434-674-1032-2019		1	100	1
		2	105	1
434-674-1032-2020		1	100B	1
		2	105B	1
		3	85	1
		4	135	1
		5	140	1
		6	105	1
		7	80	1
		8	85	1
69B46200-21		1	147	3
		2	217	3
		3	15	3
		4	40	3
		5	40	3
		6	145	3
69B46200-21		7	130	3
		8	135	3
		8	135	3
800-000121-1		4	90A	3
		6	55	3
		6	57	3
		7	55	3
		8	40	4
800-001038		4	15A	1
		5	15A	1
		6	15	1
		7	15	1
		8	20	1
800-002451		8	10	1
800-002557		4	20A	1
		5	20A	1
		6	25A	1
		7	20A	1
		8	25A	1
				8

31-11-61

 ILLUSTRATED PARTS LIST
 01.1 Page 1056
 Jul 01/05


BOEING
 COMPONENT
 MAINTENANCE MANUAL

PART NUMBER	AIRLINE PART NO.	FIG.	ITEM	TTL REQ
800-002576		4	10A	1
		5	10A	1
		6	10A	1
		7	10A	1
		8	15A	1
800-009201		6	20A	1
		1	150	3
800000121-1		2	155	2
		2	160	1
		2	165	1
		3	140	3
		5	90	3
		1	110A	1
		1	47D	1
		1	370	1
96-02		2	415A	1
		1	330	8
96-82		1	330	8

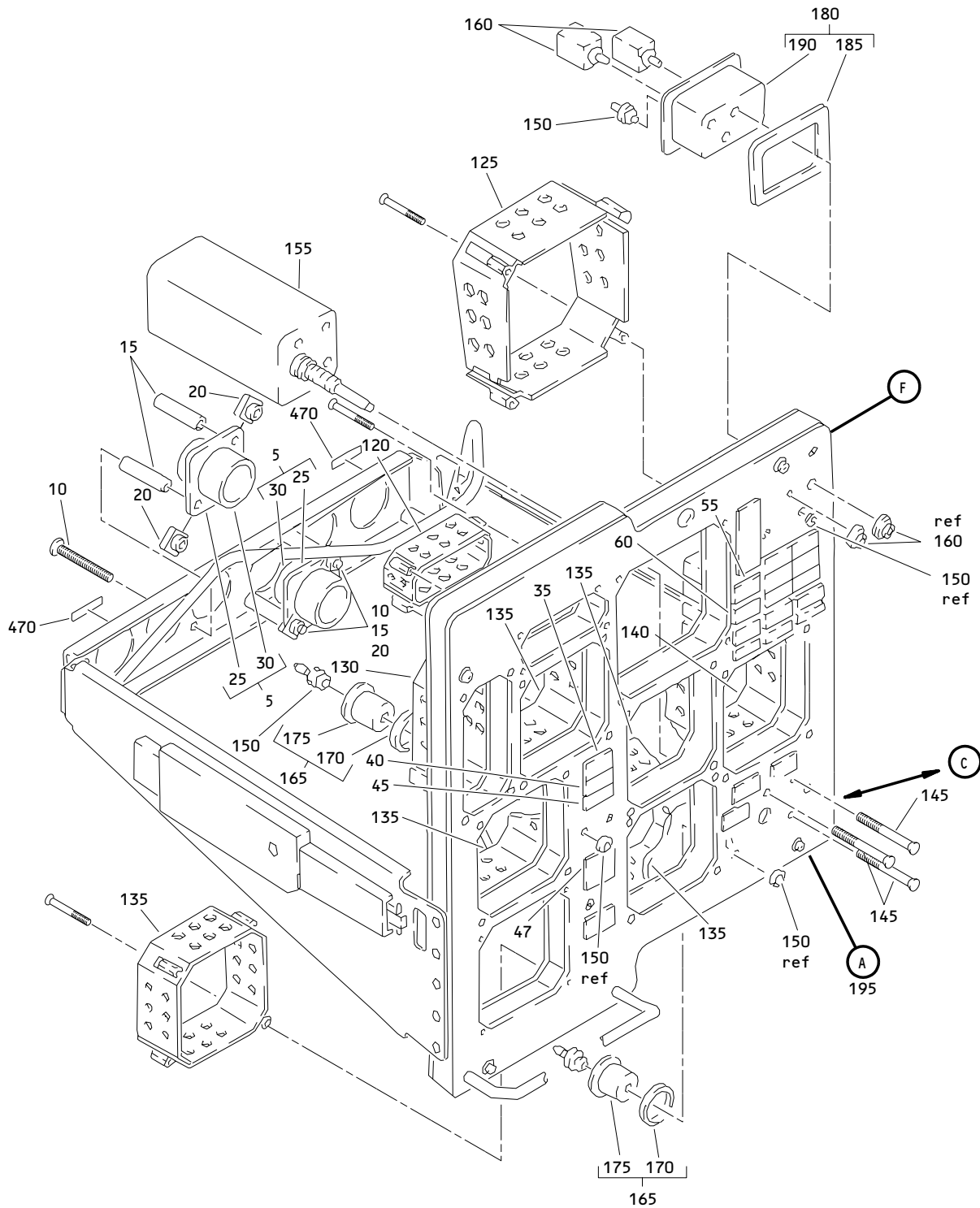
31-11-61

ILLUSTRATED PARTS LIST

01.1

Page 1057

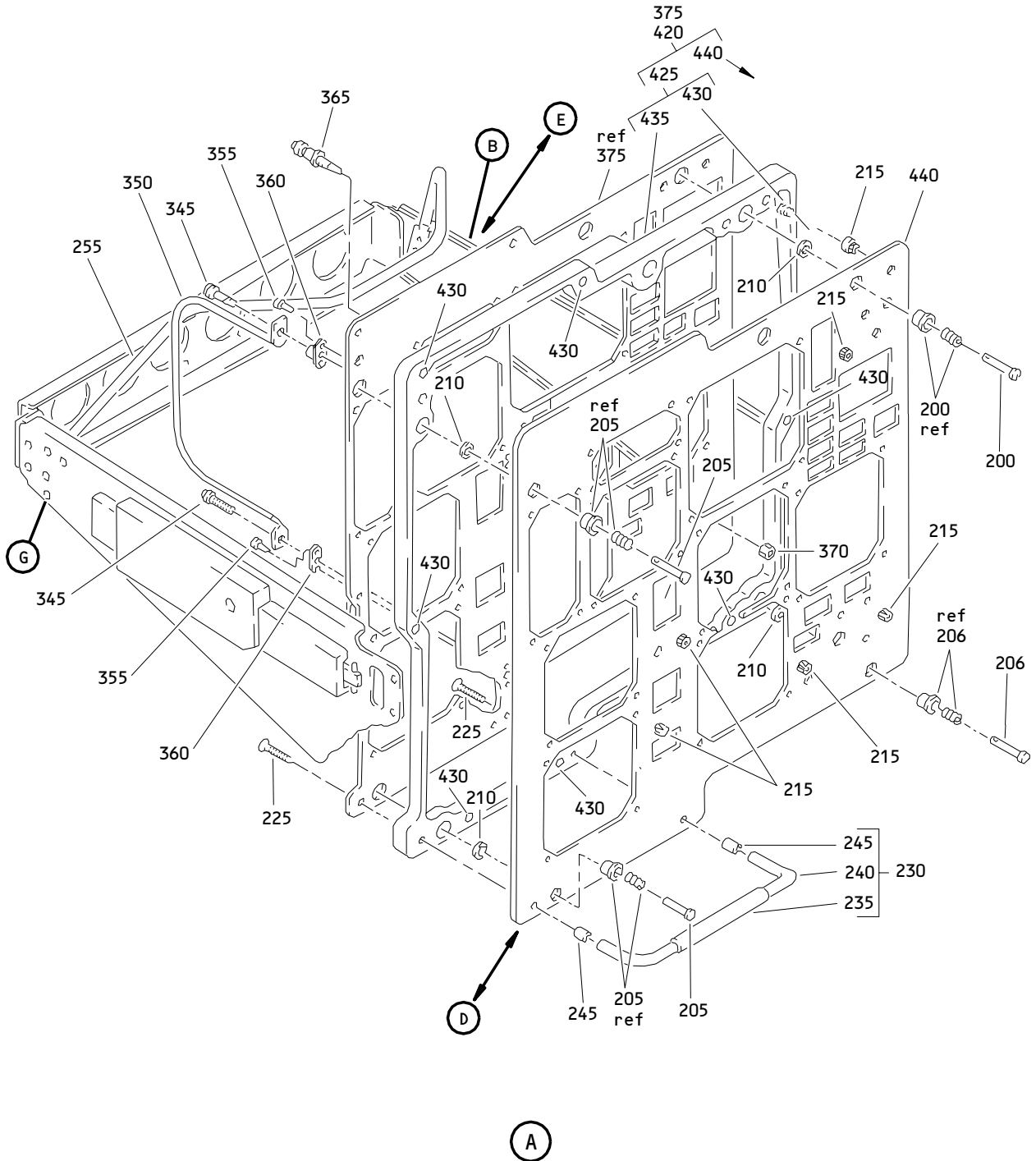
Jul 01/05



2 Crew Control Panel Assembly (P1-3)
 Figure 1 (Sheet 1)

31-11-61

ILLUSTRATED PARTS LIST
 01.1 Page 1058
 Jul 01/05

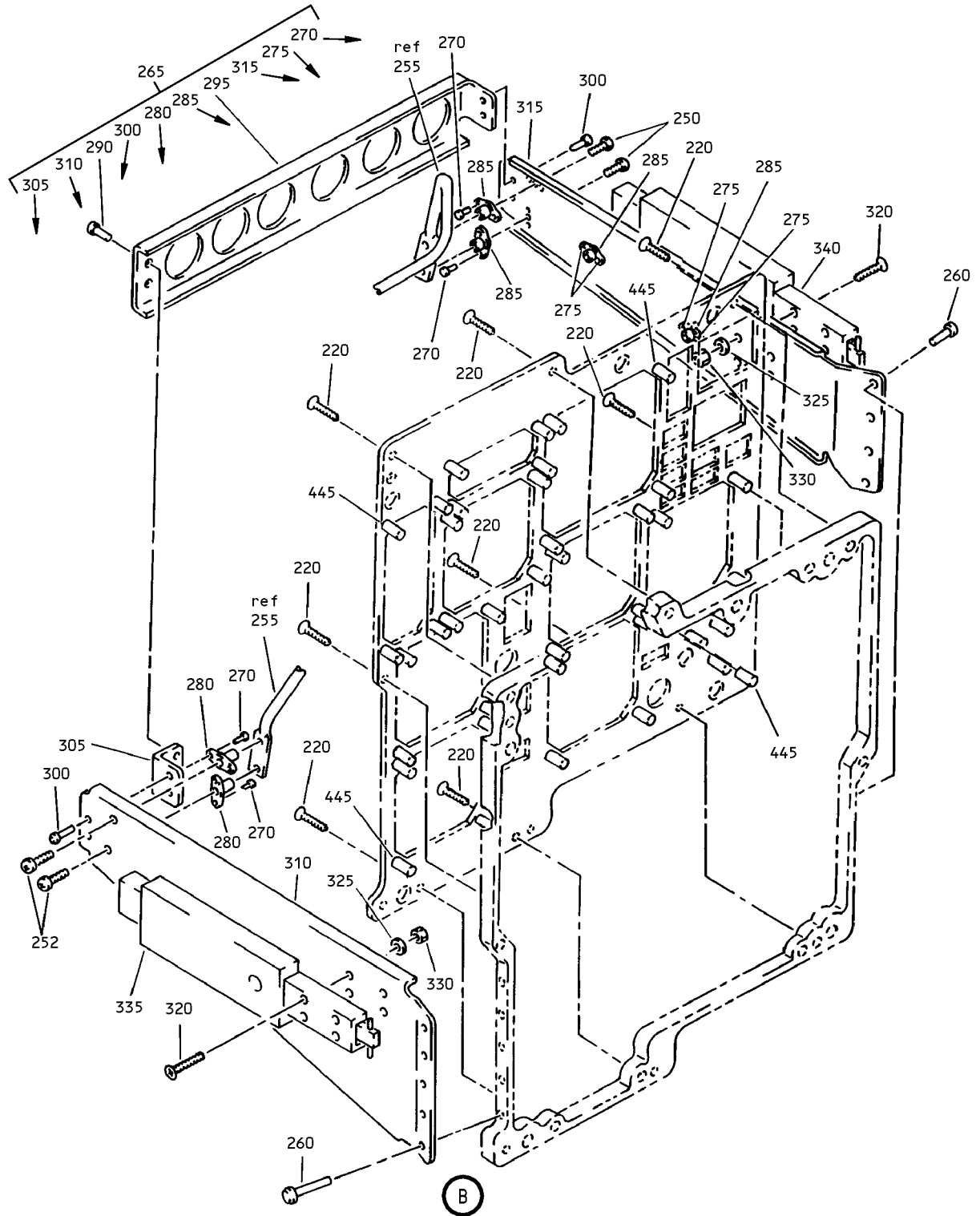


2 Crew Control Panel Assembly (P1-3)
Figure 1 (Sheet 2)

31-11-61

ILLUSTRATED PARTS LIST
01.1 Page 1059
Jul 01/05

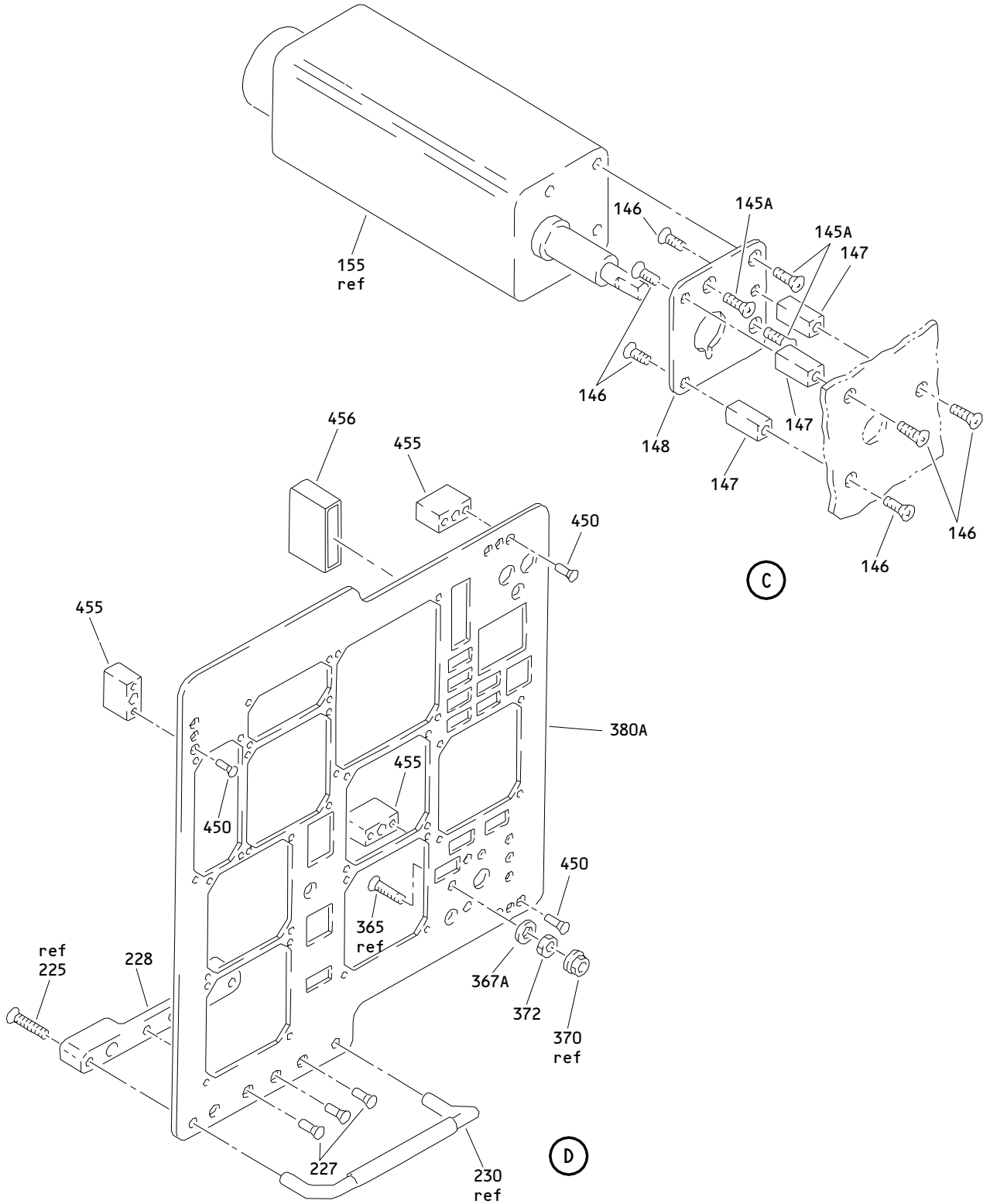
COMPONENT
MAINTENANCE MANUAL



2 Crew Control Panel Assembly (P1-3)
Figure 1 (Sheet 3)

31-11-61

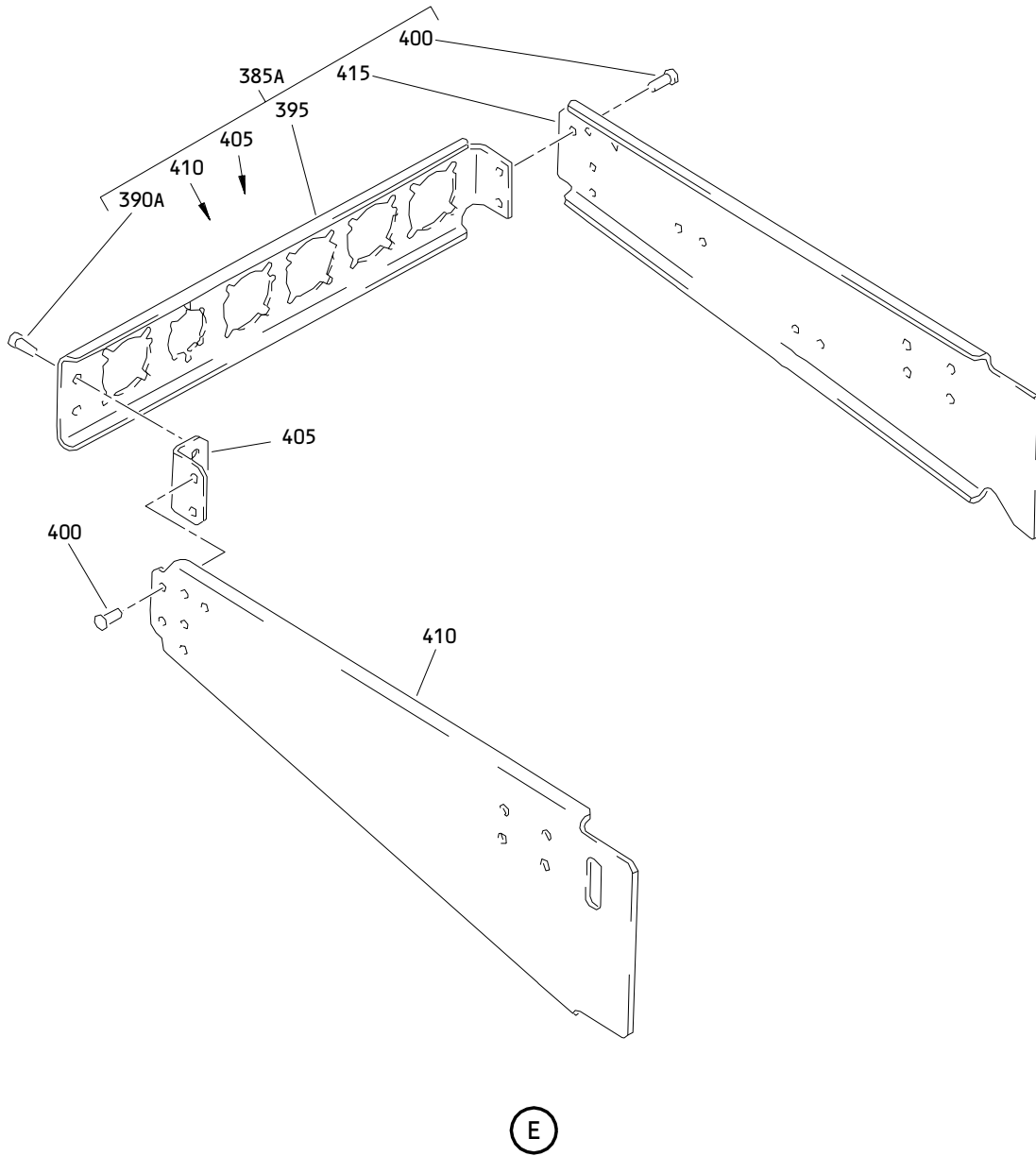
ILLUSTRATED PARTS LIST
01.1 Page 1060
Jul 01/05



2 Crew Control Panel Assembly (P1-3)
Figure 1 (Sheet 4)

31-11-61

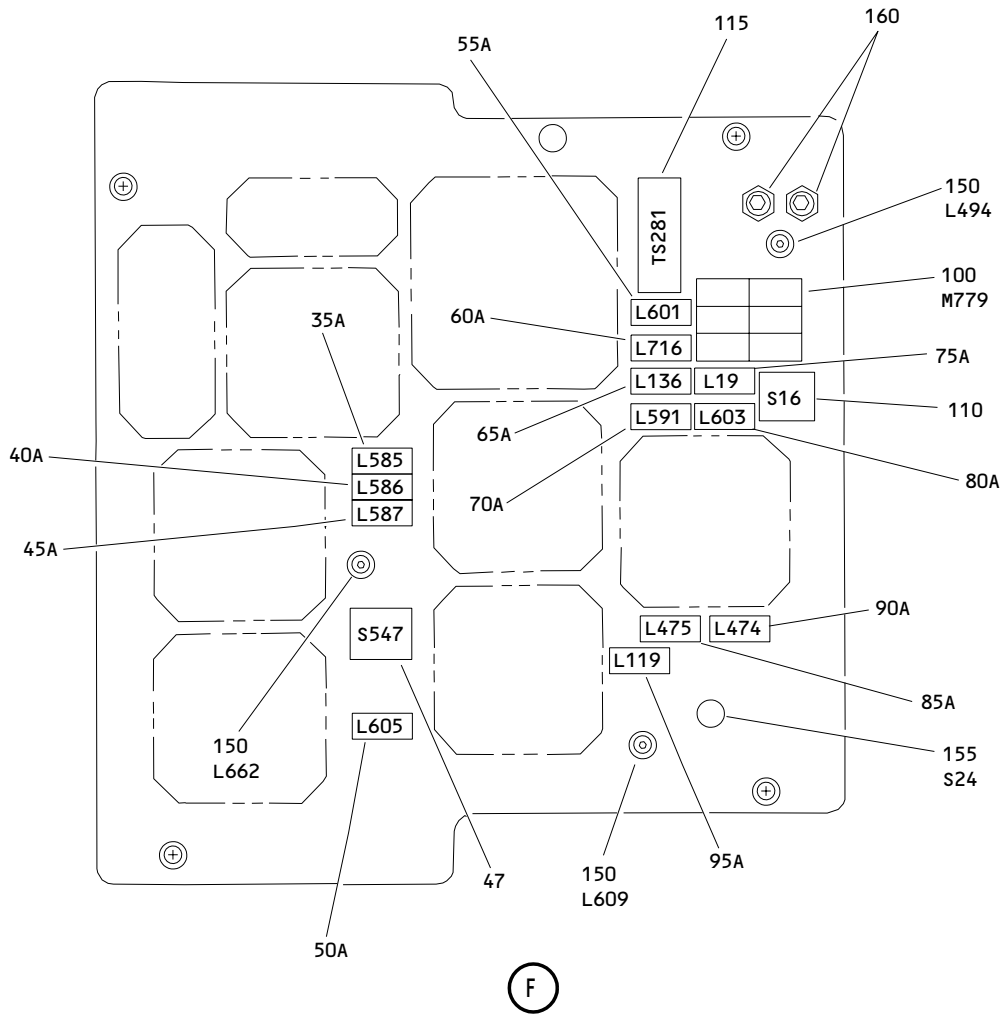
ILLUSTRATED PARTS LIST
01.1 Page 1061
Jul 01/05



2 Crew Control Panel Assembly (P1-3)
Figure 1 (Sheet 5)

31-11-61

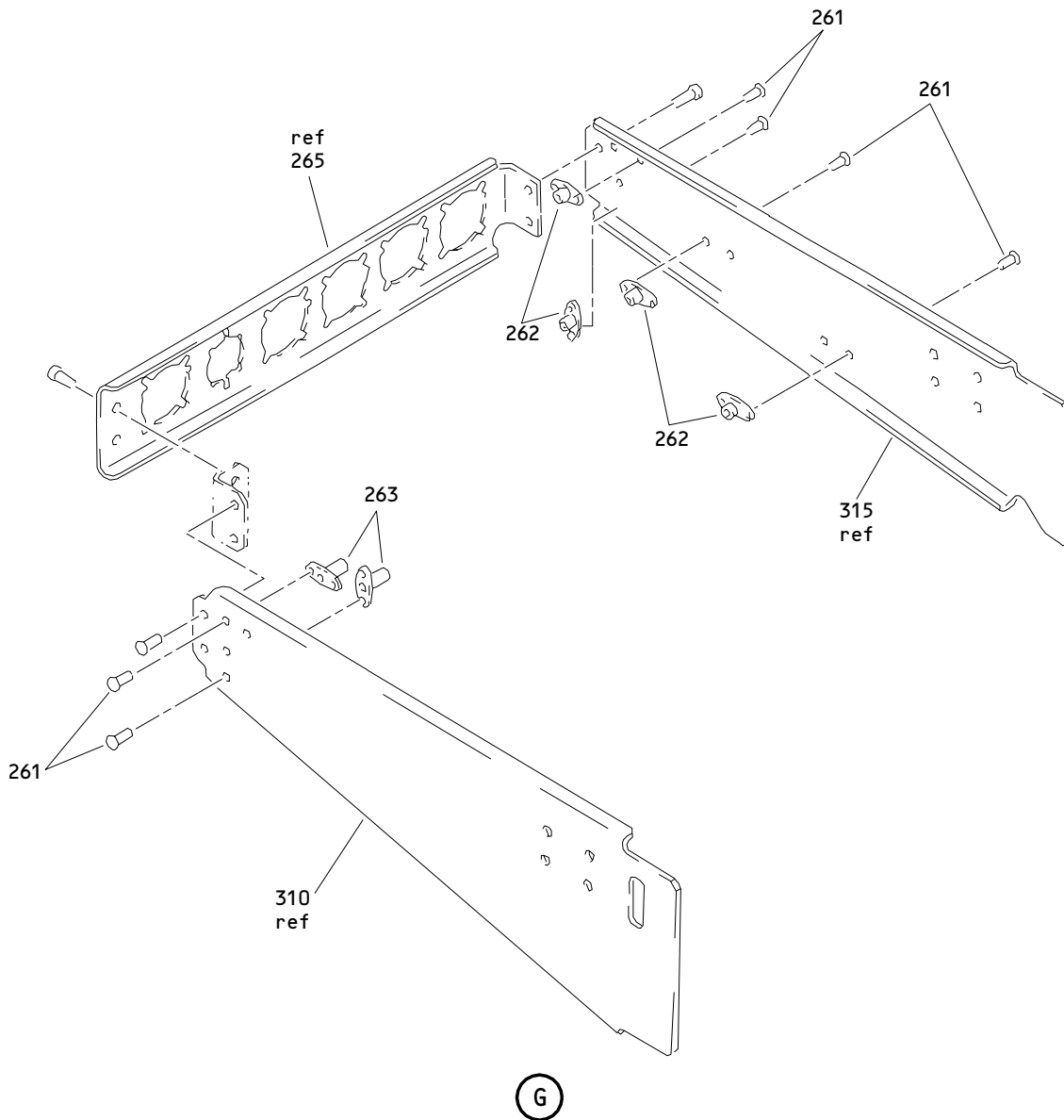
ILLUSTRATED PARTS LIST
01.1 Page 1062
Jul 01/05



2 Crew Control Panel Assembly (P1-3)
Figure 1 (Sheet 6)

31-11-61

ILLUSTRATED PARTS LIST
01.1 Page 1063
Jul 01/05



2 Crew Control Panel Assembly (P1-3)
Figure 1 (Sheet 7)

31-11-61

ILLUSTRATED PARTS LIST
01.1 Page 1064
Jul 01/05


BOEING
 COMPONENT
 MAINTENANCE MANUAL

FIG. & ITEM	PART NO.	AIRLINE PART NUMBER	NOMENCLATURE 1234567	EFF CODE	QTY PER ASSY
01- -1	233T2222-31		PANEL ASSY-2 CREW CONT (P1-3)	A	RF
-1A	233T2222-73		PANEL ASSY-CONT (FOR DETAILS SEE FIG. 2)	B	RF
-1B	233T2222-74		PANEL ASSY-CONT (FOR DETAILS SEE FIG. 2)	C	RF
-1C	233T2222-67		PANEL ASSY-CONT	D	RF
-1D	233T2222-75		PANEL ASSY-CONT	E	RF
-1E	233T2222-80		PANEL ASSY-CONT (FOR DETAILS SEE FIG. 2)	F	RF
-1F	233T2222-81		PANEL ASSY-CONT (FOR DETAILS SEE FIG. 2)	J	RF
-1G	233T2222-82		PANEL ASSY-CONT (FOR DETAILS SEE FIG. 2)	K	RF
-1H	233T2222-83		PANEL ASSY-CONT	G	RF
-1J	233T2222-84		PANEL ASSY-CONT (FOR DETAILS SEE FIG. 2)	L	RF
-1K	233T2222-85		PANEL ASSY-CONT	H	RF
-1L	233T2222-86		PANEL ASSY-CONT (FOR DETAILS SEE FIG. 2)	M	RF
-1M	233T2222-87		PANEL ASSY-CONT (FOR DETAILS SEE FIG. 2)	N	RF
-1N	233T2222-88		PANEL ASSY-CONT (FOR DETAILS SEE FIG. 2)	P	RF
-1P	233T2222-89		PANEL ASSY-CONT	Q	RF
-1Q	233T2222-91		PANEL ASSY-CONT (FOR DETAILS SEE FIG. 2)	R	RF
-1R	233T2222-92		PANEL ASSY-CONT (FOR DETAILS SEE FIG. 2)	S	RF
-1S	233T2222-93		PANEL ASSY-(PRE-MODULE), (P1-3) (FOR DETAILS SEE FIG. 3)	U	RF
-1T	233T2222-90		PANEL ASSY-(P1-3)	T	RF
-1U	233T2222-96		PANEL ASSY-(P1-3) (FOR DETAILS SEE FIG. 2)	V	RF
-1V	233T2222-301		PANEL ASSY-(P1-3), 2 CREW (FOR DETAILS SEE FIG. 4)	W	RF
-1W	233T2222-302		PANEL ASSY-(P1-3) (FOR DETAILS SEE FIG. 5)	X	RF
-1X	233T2222-303		PANEL ASSY-(P1-3) (FOR DETAILS SEE FIG. 4)	Y	RF
-1Y	233T2222-304		PANEL ASSY-(P1-3) (FOR DETAILS SEE FIG. 6)	Z	RF
-1Z	233T2222-305		PANEL ASSY-(P1-3) (FOR DETAILS SEE FIG. 4)	AA	RF

31-11-61

 ILLUSTRATED PARTS LIST
 01.1 Page 1065
 Jul 01/05

FIG. & ITEM	PART NO.	AIRLINE PART NUMBER	NOMENCLATURE 1234567	EFF CODE	QTY PER ASSY
01- -2	233T2222-306		PANEL ASSY-(P1-3) (FOR DETAILS SEE FIG. 4)	AB	RF
-2A	233T2222-307		PANEL ASSY-(P1-3) (FOR DETAILS SEE FIG. 5)	AC	RF
-2B	233T2222-308		PANEL ASSY-(P1-3) (FOR DETAILS SEE FIG. 6)	AD	RF
-2C	233T2222-309		PANEL ASSY-(P1-3) (FOR DETAILS SEE FIG. 6)	AE	RF
-2D	233T2222-310		PANEL ASSY-(P1-3) (FOR DETAILS SEE FIG. 7)	AF	RF
-2E	233T2222-311		PANEL ASSY-(P1-3) (FOR DETAILS SEE FIG. 4)	AG	RF
-2F	233T2222-312		PANEL ASSY-(P1-3) (FOR DETAILS SEE FIG. 8)	AH	RF
-2G	233T2222-313		PANEL ASSY-(P1-3) (FOR DETAILS SEE FIG. 4)	Z	RF
-2H	233T2222-320		PANEL ASSY-(P1-3) (FOR DETAILS SEE FIG. 8)	AJ	RF
-2J	233T2222-321		PANEL ASSY-(P1-3) (FOR DETAILS SEE FIG. 4)	AK	RF
-2K	233T2222-322		PANEL ASSY-(P1-3) (FOR DETAILS SEE FIG. 6)	AL	RF
5	280T1002-1		.RECEPTACLE ASSY-MASTER DIMMER AND PNL LT SHORTING ATTACHING PARTS	A,D,E ,G,H, Q,T	2
10	NAS600-13P		.SCREW	A,D,E	4
-10A	NAS8200A13		.SCREW- (OPT ITEMS 10B, 10C, 10D)	G,H,Q ,T	4
-10B	NAS8200A14		.SCREW- (OPT ITEMS 10A, 10C, 10D)	G,H,Q ,T	4
-10C	NAS600-13P		.SCREW- (OPT ITEMS 10A, 10B, 10D)	G,H,Q ,T	4
-10D	NAS600-14P		.SCREW- (OPT ITEMS 10A, 10B, 10C)	G,H,Q ,T	4
15	NAS42DD4-34		.SPACER	A,D,E ,G,H, Q,T	4

31-11-61

 ILLUSTRATED PARTS LIST
 01.1 Page 1066
 Jul 01/05


BOEING
 COMPONENT
 MAINTENANCE MANUAL

FIG. & ITEM	PART NO.	AIRLINE PART NUMBER	NOMENCLATURE 1234567	EFF CODE	QTY PER ASSY
01-20	K19798-04		.NUT- (V15653) (SPEC BACN10NW1) (OPT RMA4812-160-40 (V72962)) (OPT 293162 (V60119)) -----*	A,D,E ,G,H, Q,T	4
25	280T1002-2		..BOARD-PRINTED CIRCUIT	A,D,E ,G,H, Q,T	1
30	CN0942-057PN		..CONNECTOR- (V13556)	A,D,E ,G,H, Q,T	1
R 35	BCREF6217		.LIGHT-IND (V81590) (434-674-1005-1054) (L585) (SPEC S231T300-1054)	A,D	1
R -35A	BCREF8535		.LIGHT-IND (V81590) (434-674-1031-2054) (L585) (SPEC S231T300-2054)	A,D	1
-35B	BCREF8535		.LIGHT-IND (V81590) (434-674-1031-2054) (L585) (SPEC S231T300-2054)	E	1
-35C	BCREF11638		.LIGHT ASSY-SWITCH (V81590) (434-674-1031-2340) (L585) (SPEC S231T300-2340)	G,H,Q ,T	1
-35D	S231T300-1054		DELETED		

31-11-61

ILLUSTRATED PARTS LIST

01.1

Page 1067

Jul 01/05

FIG. & ITEM	PART NO.	AIRLINE PART NUMBER	NOMENCLATURE 1234567	EFF CODE	QTY PER ASSY
R 01-40	BCREF6218		.LIGHT-IND (V81590) (434-674-1005-1070) (L586) (SPEC S231T300-1070)	A,D	1
R -40A	BCREF8537		.LIGHT-IND (V81590) (434-674-1031-2070) (L586) (SPEC S231T300-2070)	A,D	1
-40B	BCREF8537		.LIGHT-IND (V81590) (434-674-1031-2070) (L586) (SPEC S231T300-2070)	E	1
-40C	BCREF11644		.LIGHT ASSY-SWITCH (V81590) (434-674-1031-2341) (L586) (SPEC S231T300-2341)	G,H,Q ,T	1
R -40D 45	S231T300-1070 BCREF6219		DELETED .LIGHT-IND (V81590) (434-674-1005-1082) (L587) (SPEC S231T300-1082)	A,D	1
R -45A	BCREF8538		.LIGHT-IND (V81590) (434-674-1031-2082) (L587) (SPEC S231T300-2082)	A,D	1
-45B	BCREF8538		.LIGHT-IND (V81590) (434-674-1031-2082) (L587) (SPEC S231T300-2082)	E	1
-45C	BCREF11647		.LIGHT ASSY-SWITCH (V81590) (434-674-1031-2342) (L587) (SPEC S231T300-2342)	G,H,Q ,T	1
-45D	S231T300-1082		DELETED		

31-11-61

ILLUSTRATED PARTS LIST

01.1

Page 1068

Jul 01/05


BOEING
 COMPONENT
 MAINTENANCE MANUAL

FIG. & ITEM	PART NO.	AIRLINE PART NUMBER	NOMENCLATURE 1234567	EFF CODE	QTY PER ASSY
01-47	BCREFA0810		.SWITCH-PUSHBUTTON (V81590) (433-673-1004-4075) (S547) (SPEC S231T290-4075) (OPT ITEM 47A)	D,E	1
-47A	S231T290-5075		.SWITCH-PUSHBUTTON (S547) (OPT ITEM 47)	D,E	1
-47B	BCREFA0810		.SWITCH-PUSHBUTTON (V81590) (433-673-1004-4075) (S547) (SPEC S231T290-4075)	G,H,Q ,T	1
-47C	BCREF7746		.SWITCH-PUSHBUTTON (V81590) (433-673-1001-1075) (S547) (SPEC S231T290-1075)	A	1
-47D	851-30768-3075		.SWITCH-PUSHBUTTON (V96182) (S547) (SPEC S231T290-3075)	A	1
R 01-50	4336731004-4275 BCREF6232		DELETED .LIGHT-IND (V81590) (434-674-1005-1257) (L605) (SPEC S231T300-1257)	A,D	1

31-11-61

 ILLUSTRATED PARTS LIST
 01.1 Page 1069
 Jul 01/05

FIG. & ITEM	PART NO.	AIRLINE PART NUMBER	NOMENCLATURE 1234567	EFF CODE	QTY PER ASSY
R 01-50A	BCREF8578		.LIGHT-IND (V81590) (434-674-1031-2257) (L605) (SPEC S231T300-2257)	A,D	1
-50B	BCREF8578		.LIGHT-IND (V81590) (434-674-1031-2257) (L605) (SPEC S231T300-2257)	E	1
-50C	BCREF11668		.LIGHT ASSY-IND BRAKE SOURCE (V81590) (434-674-1031-2353) (L605) (SPEC S231T300-2353)	G,H,Q ,T	1
R -50D 55	S231T300-1257 BCREF6226		DELETED .LIGHT-IND (V81590) (434-674-1005-1153) (L601) (SPEC S231T300-1153)	A	1
R -55A	BCREF8555		.LIGHT-IND (V81590) (434-674-1031-2153) (L601) (SPEC S231T300-2153)	A	1
-55B	BCREF9430		.LIGHT-IND (V81590) (434-674-1031-2308) (L601) (SPEC S231T300-2308)	D	1

31-11-61

 ILLUSTRATED PARTS LIST
 01.1 Page 1070
 Jul 01/05


BOEING
 COMPONENT
 MAINTENANCE MANUAL

FIG. & ITEM	PART NO.	AIRLINE PART NUMBER	NOMENCLATURE 1234567	EFF CODE	QTY PER ASSY
01- -55C	BCREF11672		.LIGHT ASSY-INDICATOR (V81590) (434-674-1031-2361) (L890) (SPEC S231T300-2361)	G,H,Q ,T	1
-55D	BCREF9430		.LIGHT-IND (V81590) (434-674-1031-2308) (L890) (SPEC S231T300-2308)	E	1
R -55E 60	S231T300-1153 BCREF7112		DELETED .LIGHT-IND (V81590) (434-674-1005-1300) (L716) (SPEC S231T300-1300)	A,D	1
R -60A	BCREF8600		.LIGHT-IND (V81590) (434-674-1031-2300) (L716) (SPEC S231T300-2300)	A,D	1
-60B	BCREF8600		.LIGHT-IND (V81590) (434-674-1031-2300) (L716) (SPEC S231T300-2300)	E	1
-60C	BCREF11671		.LIGHT ASSY-INDICATOR (V81590) (434-674-1031-2359) (L716) (SPEC S231T300-2359)	G,H,Q ,T	1
-60D	S231T300-1300		DELETED		

31-11-61

ILLUSTRATED PARTS LIST

01.1

Page 1071

Jul 01/05

FIG. & ITEM	PART NO.	AIRLINE PART NUMBER	NOMENCLATURE 1234567	EFF CODE	QTY PER ASSY
R 01-65	BCREF6227		.LIGHT-IND (V81590) (434-674-1005-1224) (L136) (SPEC S231T300-1224)	A,D	1
R -65A	BCREF8563		.LIGHT-IND (V81590) (434-674-1031-2224) (L136) (SPEC S231T300-2224)	A,D	1
-65B	BCREF8555		.LIGHT-IND (V81590) (434-674-1031-2153) (L691) (SPEC S231T300-2153)	E	1
-65C	BCREF11649		.LIGHT ASSY-IND ALTITUDE ALERT (V81590) (434-674-1031-2343) (L136) (SPEC S231T300-2343)	G,Q	1
-65D	BCREF8553		.LIGHT ASSY-IND BLANK (V81590) (434-674-1031-2128) (L691) (SPEC S231T300-2128)	H,T	1
R -65E 70	S231T300-1224 BCREF6228		DELETED .LIGHT-IND (V81590) (434-674-1005-1225) (L591) (SPEC S231T300-1225)	A,D	1
R -70A	BCREF8564		.LIGHT-IND (V81590) (434-674-1031-2225) (L591) (SPEC S231T300-2225)	A,D	1
-70B	BCREF8564		.LIGHT-IND (V81590) (434-674-1031-2225) (L591) (SPEC S231T300-2225)	E	1

31-11-61

 ILLUSTRATED PARTS LIST
 01.1 Page 1072
 Jul 01/05


BOEING
 COMPONENT
 MAINTENANCE MANUAL

FIG. & ITEM	PART NO.	AIRLINE PART NUMBER	NOMENCLATURE 1234567	EFF CODE	QTY PER ASSY
01- -70C	BCREF11665		.LIGHT ASSY-IND ALTITUDE ALERT (V81590) (434-674-1031-2344) (L591) (SPEC S231T300-2344)	G,H,Q ,T	1
R -70D 75	S231T300-1225 BCREF6229		DELETED .LIGHT-IND (V81590) (434-674-1005-1226) (L19) (SPEC S231T300-1226) (OPT ITEM 75A)	A,D	1
R -75A	BCREF8565		.LIGHT-IND (V81590) (434-674-1031-2226) (L19) (SPEC S231T300-2226) (OPT ITEM 75D)	A,D	1
-75B	BCREF8565		.LIGHT-IND (V81590) (434-674-1031-2226) (L19) (SPEC S231T300-2226)	E	1
-75C	BCREF11666		.LIGHT ASSY-IND AUTOPILOT (V81590) (434-674-1031-2345) (L19) (SPEC S231T300-2345)	G,H,Q ,T	1
-75D	S231T300-1226		DELETED		

31-11-61

 ILLUSTRATED PARTS LIST
 01.1 Page 1073
 Jul 01/05

FIG. & ITEM	PART NO.	AIRLINE PART NUMBER	NOMENCLATURE 1234567	EFF CODE	QTY PER ASSY
R 01-80	BCREF6230		.LIGHT-IND (V81590) (434-674-1005-1227) (L603) (SPEC S231T300-1227)	A,D	1
R -80A	BCREF8566		.LIGHT-IND (V81590) (434-674-1031-2227) (L603) (SPEC S231T300-2227)	A,D	1
-80B	BCREF8566		.LIGHT-IND (V81590) (434-674-1031-2227) (L603) (SPEC S231T300-2227)	E	1
-80C	BCREF11667		.LIGHT ASSY-IND FLT MANAGEMENT CMPTR (V81590) (434-674-1031-2346) (L603) (SPEC S231T300-2346)	G,H,Q ,T	1
R -80D 85	S231T300-1227 BCREF6263		DELETED .LIGHT-IND (V81590) (434-674-1005-1264) (L475) (SPEC S231T300-1264)	A,D	1
R -85A	BCREF8583		.LIGHT-IND (V81590) (434-674-1031-2264) (L475) (SPEC S231T300-2264)	A,D	1
-85B	BCREF8583		.LIGHT-IND (V81590) (434-674-1031-2264) (L475) (SPEC S231T300-2264)	E	1
-85C	BCREF11670		.LIGHT ASSY-INDICATOR (V81590) (434-674-1031-2355) (L475) (SPEC S231T300-2355)	G,H,Q ,T	1
-85D	S231T300-1264		DELETED		

31-11-61

 ILLUSTRATED PARTS LIST
 01.1 Page 1074
 Jul 01/05


BOEING
 COMPONENT
 MAINTENANCE MANUAL

FIG. & ITEM	PART NO.	AIRLINE PART NUMBER	NOMENCLATURE 1234567	EFF CODE	QTY PER ASSY
R 01-90	BCREF6264		.LIGHT-IND (V81590) (434-674-1005-1265) (L474) (SPEC S231T300-1265)	A,D	1
R -90A	BCREF8584		.LIGHT-IND (V81590) (434-674-1031-2265) (L474) (SPEC S231T300-2265)	A,D	1
-90B	BCREF8584		.LIGHT-IND (V81590) (434-674-1031-2265) (L474) (SPEC S231T300-2265)	E	1
-90C	BCREF11669		.LIGHT ASSY-INDICATOR (V81590) (434-674-1031-2354) (L474) (SPEC S231T300-2354)	G,H,Q ,T	1
R -90D 95	S231T300-1265 BCREF6209		DELETED .LIGHT-IND (V81590) (434-674-1005-1010) (L119) (SPEC S231T300-1010)	A,D	1
R -95A	BCREF8526		.LIGHT-IND (V81590) (434-674-1031-2010) (L119) (SPEC S231T300-2010)	A,D	1
-95B	BCREF8526		.LIGHT-IND (V81590) (434-674-1031-2010) (L119) (SPEC S231T300-2010)	E	1
-95C	BCREF11648		.LIGHT ASSY-IND AUTOBRAKES (V81590) (434-674-1031-2339) (L119) (SPEC S231T300-2339)	G,H,Q ,T	1
-95D	S231T300-1010		DELETED		

31-11-61

 ILLUSTRATED PARTS LIST
 01.1 Page 1075
 Jul 01/05

FIG. & ITEM	PART NO.	AIRLINE PART NUMBER	NOMENCLATURE 1234567	EFF CODE	QTY PER ASSY
01-100	BCREF9079		.LIGHT ASSY-IND (V81590) (434-674-1032-2019) (M779) (SPEC S231T301-2104)	A,D,E	1
-100A	S231T301-2105		DELETED		
-100B	BCREF12066		.LIGHT ASSY-INDICATOR (V81590) (434-674-1032-2020) (M779) (SPEC S231T301-2105)	G,H,Q ,T	1
105	BCREF7746		DELETED		
-105A	851-30768-3075		DELETED		
110	BCREF7680		.SWITCH-PUSHBUTTON (V81590) (433-673-1001-1070) (S16) (SPEC S231T290-1070)	A	1
-110A	851-30768-3070		.SWITCH-PUSHBUTTON (V96182) (S16) (SPEC S231T290-3070)	A	1
-110B	BCREFA0531		.SWITCH-PUSHBUTTON (V81590) (433-673-1004-4070) (S16) (SPEC S231T290-4070) (OPT ITEM 110C)	D,E	1
-110C	S231T290-5070		.SWITCH-PUSHBUTTON (S16) (OPT ITEM 110B)	D,E	1
-110D	BCREFA0531		.SWITCH-PUSHBUTTON (V81590) (433-673-1004-4070) (S16) (SPEC S231T290-4070)	G,H,Q ,T	1
-110E	4336731004-4270		DELETED		

31-11-61

 ILLUSTRATED PARTS LIST
 01.1 Page 1076
 Jul 01/05


BOEING
 COMPONENT
 MAINTENANCE MANUAL

FIG. & ITEM	PART NO.	AIRLINE PART NUMBER	NOMENCLATURE 1234567	EFF CODE	QTY PER ASSY
01-115	285T0112-4		.SENSOR ASSY-AUTOBRIGHT UNIT (STATIC SENSITIVE PART) (TS281) (OPT ITEM 115A) (REF CMM 33-16-51)	A,D	1
-115A	285T0112-6		.SENSOR ASSY-AUTOBRIGHT UNIT (STATIC SENSITIVE PART) (TS281) (OPT ITEM 115) (REF CMM 33-16-51)	A,D	1
-115B	285T0112-6		.SENSOR ASSY-AUTOBRIGHT UNIT (TS281) (REF CMM 33-16-51)	E,G,H ,Q,T	1
120	123-10D		.CLAMP- (V28277)	A,D,E	1
-120A	123-3215F		.CLAMP- (V28277)	G,H,Q ,T	1
125	123-4D		.CLAMP- (V28277)	A,D,E	1
-125A	123-4040F		.CLAMP- (V28277)	G,H,Q ,T	1
130	123RG1840		.CLAMP- (V28277)	A,D,E	1
-130A	123RG1840F		.CLAMP- (V28277)	G,H,Q ,T	1
135	123-3D		.CLAMP- (V28277)	A,D,E	5
-135A	123-3232F		.CLAMP- (V28277)	G,H,Q ,T	5
140	123-03004A3		.CLAMP- (V28277)	A,D,E	1
-140A	123-3232HJ		.CLAMP- (V28277)	G,H,Q ,T	1
145	NAS514P632-18		.SCREW	A,D,E	3
145A	BACS12ER06K5		.SCREW	G,H,Q ,T	3
146	BACS12ER06K6		.SCREW	G,H,Q ,T	6
147	69B46200-21		.STANDOFF	G,H,Q ,T	3

31-11-61

ILLUSTRATED PARTS LIST

01.1

Page 1077

Jul 01/05

FIG. & ITEM	PART NO.	AIRLINE PART NUMBER	NOMENCLATURE 1234567	EFF CODE	QTY PER ASSY
01-148	233T6200-214		.BRACKET-SUPPORT	G,H,Q ,T	1
150	800000121-1		.CONNECTOR-POWER (V05617) (L494, L609, L662)	A,D,E ,G,H, Q,T	3
155	AC30-0003-3		.SWITCH-AUTOBRAKE (V91812) (S24) (SPEC S283T022-3)	A,D,E ,G,H, Q,T	1
160	2PB11H58		.SWITCH-SPDT (V91929) (S10170, S10230)	A,D,E ,G,H, Q,T	2
165	233T2220-10		.CUP ASSY	A,D,E	2
170	233T2220-12		..SEAL	A,D,E	1
175	233T2220-11		..CUP	A,D,E	1
180	233T2220-13		.CLIP ASSY	A,D,E	1
185	233T2220-15		..SEAL	A,D,E	1
190	233T2220-14		..CLIP	A,D,E	1
195	233T2224-5		.FORWARD PANEL ASSY	A,D,E	1
-195A	233T2224-30		.FORWARD PANEL ASSY- (OPT ITEM 195B)	G,H,Q ,T	1
-195B	233T2224-48		.FORWARD PANEL ASSY- (OPT ITEM 195A)	G,H,Q ,T	1
200	BACS21Y37RB		..STUD ASSY	A,D,E	1
-200A	BACS21Y36RB		..STUD ASSY	G,H,Q ,T	1
205	BACS21Y36RB		..STUD ASSY	A,D,E	2
-205A	BACS21Y35RB		..STUD ASSY	G,H,Q ,T	2

31-11-61

ILLUSTRATED PARTS LIST

01.1

Page 1078

Jul 01/05


BOEING
 COMPONENT
 MAINTENANCE MANUAL

FIG. & ITEM	PART NO.	AIRLINE PART NUMBER	NOMENCLATURE 1234567	EFF CODE	QTY PER ASSY
01-206	BACS21Y36RB		..STUD ASSY	A,D,E ,G,H, Q,T	1
210	2600LW		..WASHER- (V71286) (SPEC BACW10X4) (OPT 1127700 (V60119))	A,D,E	4
-210A	2600SW2		..WASHER- (V71286) (SPEC BACW10X2S) (OPT 1127723 (V60119))	G,H,Q ,T	4
215	SF10G6CBA5D		..NUT-PRESS (V12324)	A,D,E	6
-215A	SF10G6CBB5D		DELETED		
-215B	SF12G6CBB5D		..NUT-PRESS (V12324)	G,H,Q ,T	6
220	NAS514P832-8		..SCREW	A,D,E	8
225	NAS514P1032-16		..SCREW	A,D,E	2
-225A	BACS12ER3K16		..SCREW	G,H,Q ,T	2
227	BACR15BA6AD		..RIVET- (SIZE DETERMINE ON INST) (NHA 233T2224)	G,H,Q ,T	3
228	012002-103		..SPACER- (V28277)	G,H,Q ,T	1
230	233T2218-9		..FOOTREST ASSY	A,D,E ,G,H, Q,T	1

31-11-61

ILLUSTRATED PARTS LIST

01.1

Page 1079

Jul 01/05

FIG. & ITEM	PART NO.	AIRLINE PART NUMBER	NOMENCLATURE 1234567	EFF CODE	QTY PER ASSY
01-235	233T2221-3		...SURFACING-ANTI SLIP	A,D,E ,G,H, Q,T	1
240	233T2218-11		...FOOTREST	A,D,E ,G,H, Q,T	1
245	MS21209F1-30		...INSERT	A,D,E ,G,H, Q,T	2
250	NAS603-5P		..SCREW	A,D,E	2
-250A	NAS8203A5		DELETED		
-250B	NAS8203A8		..SCREW	G,H,Q ,T	2
252	NAS603-9P		..SCREW	A,D,E	2
-252A	NAS8203A5		..SCREW	G,H,Q ,T	2
-252B	NAS8203A8		DELETED		
255	233T2219-8		..TUBE-WIRING SUPPORT	A,D,E ,G,H, Q,T	1
260	BACR15FT5AD		..RIVET- (SIZE DETERMINE ON INST)	A,D,E	9
261	BACR15BA3AD		..RIVET- (SIZE DETERMINE ON INST) (NHA 233T2224)	G,H,Q ,T	12
262	WSI4-3		..NUTPLATE- (V04169) (SPEC BACN10TL3-3)	G,H,Q ,T	4
263	WSI4-6		..NUTPLATE- (V04169) (SPEC BACN10TL3-6)	G,H,Q ,T	2
265	233T2228-2		..BRACKET ASSY	A,D,E	1
-265A	233T2228-7		DELETED		
270	BACR15BB3AD		...RIVET- (SIZE DETERMINE ON INST)	A,D,E	8
275	BACR15BA3AD		...RIVET- (SIZE DETERMINE ON INST)	A,D,E	4
280	WSI4-6		...NUT-SPACER PLATE (V04169) (SPEC BACN10TL3-6)	A,D,E	2
285	WSI4-3		...NUTPLATE- (V04169) (SPEC BACN10TL3-3)	A,D,E	4
290	BACR15FT5AD		...RIVET- (SIZE DETERMINE ON INST)	A,D,E	2

31-11-61

ILLUSTRATED PARTS LIST

01.1 Page 1080

Jul 01/05


BOEING
 COMPONENT
 MAINTENANCE MANUAL

FIG. & ITEM	PART NO.	AIRLINE PART NUMBER	NOMENCLATURE 1234567	EFF CODE	QTY PER ASSY
01-					
295	233T2229-2		...BRACKET	A,D,E	1
-295A	233T2229-10		DELETED		
300	BACR15CE5AD		...RIVET-	A,D,E	4
			(SIZE DETERMINE ON INST)		
305	233N2213-4		...ANGLE	A,D,E	1
-305A	233N2213-22		DELETED		
310	233N2213-1		...BRACKET	A,D,E	1
-310A	233T2229-13		DELETED		
315	233N2213-6		...BRACKET	A,D,E	1
-315A	233T2229-14		DELETED		
320	NAS514P832-10		..SCREW	A,D,E	8
-320A	BACS12ER08K10		..SCREW	G,H,Q	8
				,T	
325	AN960C8L		..WASHER	A,D,E	8
-325A	NAS1149CN816R		..WASHER	G,H,Q	8
				,T	
330	H10-08BAC		..NUT-	A,D,E	8
			(V15653)		
			(SPEC BACN10JC08)		
			(OPT NS202101-82		
			(V80539))		
			(OPT RMLH9075-82W		
			(V72962))		
			(OPT T6S832J		
			(V71087))		
			(OPT VN303A82		
			(V92215))		
			(OPT 96-82		
			(V80539))		
			(OPT BRH10A08		
			(V52828))		
-330A	H52732-08CD		..NUT-	G,H,Q	8
			(V15653)	,T	
			(SPEC BACN10YR08CD)		
			(OPT PLH508CD		
			(V62554))		
335	120492BL		..SLIDE-	A,D,E	1
			(V05236)	,G,H,	
				Q,T	
340	120492BR		..SLIDE-	A,D,E	1
			(V05236)	,G,H,	
				Q,T	

31-11-61

ILLUSTRATED PARTS LIST

01.1 Page 1080A

Jul 01/05

FIG. & ITEM	PART NO.	AIRLINE PART NUMBER	NOMENCLATURE 1234567	EFF CODE	QTY PER ASSY
01-345	NAS603-5P		..SCREW	A,D,E	2
-345A	NAS8203A5		DELETED		
-345B	NAS8203A8		..SCREW	G,H,Q ,T	2
350	233T2219-4		..TUBE-WIRING SUPPORT	A,D,E ,G,H, Q,T	1
355	BACR15BB3AD		..RIVET- (SIZE DETERMINE ON INST)	A,D,E	4
-355A	BACR15BA3AD		..RIVET- (SIZE DETERMINE ON INST)	G,H,Q ,T	4
360	WSI4-3		..NUTPLATE- (V04169) (SPEC BACN10TL3-3)	A,D,E	2
-360A	WSI4-10		..NUTPLATE- (V04169) (SPEC BACN10TL3-10)	G,H,Q ,T	2
365	VNS1924CA2-8		..STUD-GROUND (V5M902) (SPEC BACS53B1EA2) (OPT VNS1924CA3-2-8 (V92215))	A,D,E	1
-365A	BACS12ER3K12		..SCREW-GROUND STUD	G,H,Q ,T	1
367	NAS1149D0463J		DELETED		
367A	NAS1149D0363J		..WASHER	G,H,Q ,T	1
370	H10-3BAC		..NUT- (V15653) (SPEC BACN10JC3) (OPT NS202101-02 (V80539)) (OPT RMLH9075-3W (V72962)) (OPT T6S1032J (V71087)) (OPT VN303A02 (V92215)) (OPT 96-02 (V80539)) (OPT BRH10A3 (V52828))	A,D,E	1

31-11-61

 ILLUSTRATED PARTS LIST
 01.1 Page 1080B
 Jul 01/05


BOEING
 COMPONENT
 MAINTENANCE MANUAL

FIG. & ITEM	PART NO.	AIRLINE PART NUMBER	NOMENCLATURE 1234567	EFF CODE	QTY PER ASSY
01- -370A	H52732-3CD		..NUT- (V15653) (SPEC BACN10YR3CD) (OPT PLH53CD (V62554))	G,H,Q ,T	1
372	MS35650-305T		..NUT	G,H,Q ,T	1
375	233T2224-6		..BASEPLATE	A,D,E	1
-375A	233T2224-39		..BASEPLATE ASSY- (USED ON ITEM 195A)	G,H,Q ,T	1
-375B	233T2224-49		..BASEPLATE ASSY- (USED ON ITEM 195B)	G,H,Q ,T	1
376	233T2228-7		DELETED		
377	233T2224-31		DELETED		
377A	BACR15FT5AD		DELETED		
377J	233T2229-10		DELETED		
377R	BACR15FT5AD		DELETED		
378	233N2213-22		DELETED		
378J	233T2229-13		DELETED		
378R	233T2229-14		DELETED		
379	233T2224-31		DELETED		
380	350-1		DELETED		
380A	233T2224-31		...BASEPLATE- (USED ON ITEM 375A)	G,H,Q ,T	1
-380B	233T2224-50		...BASEPLATE- (USED ON ITEM 375B)	G,H,Q ,T	1
381	BACR15BA3AD		DELETED		
382	012002-101		DELETED		
-383	286T0015		DELETED		
-385	286T0013		DELETED		
385A	233T2228-7		...BRACKET ASSY	G,H,Q ,T	1

31-11-61

 ILLUSTRATED PARTS LIST
 01.1 Page 1080C
 Jul 01/05

FIG. & ITEM	PART NO.	AIRLINE PART NUMBER	NOMENCLATURE 1234567	EFF CODE	QTY PER ASSY
01-					
390	BAC27TFDE0439		DELETED		
390A	BACR15FT5AD	RIVET- (SIZE DETERMINE ON INST)	G,H,Q ,T	2
395	233T2229-10	BRACKET	G,H,Q ,T	1
400	BACR15FT5AD	RIVET- (SIZE DETERMINE ON INST)	G,H,Q ,T	4
405	233N2213-22	ANGLE	G,H,Q ,T	1
410	233T2229-13	BRACKET	G,H,Q ,T	1
415	233T2229-14	BRACKET	G,H,Q ,T	1
420	233T2224-8		...FRAME ASSY	A,D,E	1
425	233T2226-1	FRAME ASSY	A,D,E	1
430	MS21209C0825P	INSERT	A,D,E	8
435	233T2226-4	FRAME	A,D,E	1
440	233T2224-7	BASEPLATE-FRONT	A,D,E	1
445	350-1		..SPACER- (V28277)	A,D,E	39
450	BACR15BA3AD		..RIVET- (SIZE DETERMINE ON INST) (NHA 233T2224)	G,H,Q ,T	6
455	012002-101		..SPACER- (V28277)	G,H,Q ,T	3
456	233T2229-19		..SPACER	G,H,Q ,T	1
-460	286T0015		.WIRE BUNDLE	E,H	1
-465	286T0013		.WIRE BUNDLE	A,D,E ,G,H	1

31-11-61

 ILLUSTRATED PARTS LIST
 01.1 Page 1080D
 Jul 01/05


BOEING
 COMPONENT
 MAINTENANCE MANUAL

FIG. & ITEM	PART NO.	AIRLINE PART NUMBER	NOMENCLATURE	EFF CODE	QTY PER ASSY
01- 470	BAC27TFDE0439		1234567 .DECAL-CAUTION ELECTROSTATIC SENSITIVE DEVICE. CONDUCTIVE CONNECTOR DUST COVER REQUIRED	D,E,G ,H,Q, T	2

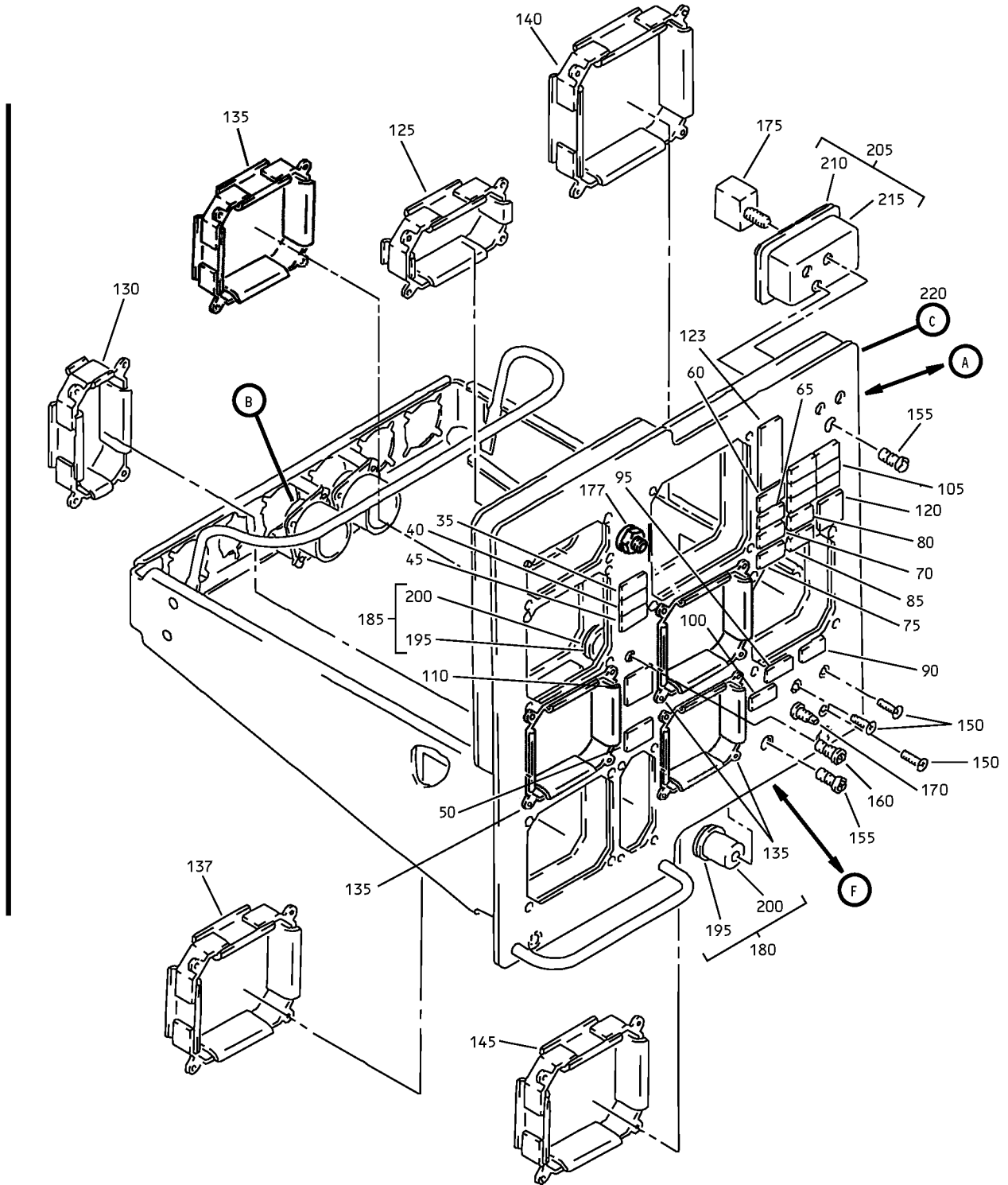
- Item Not Illustrated

31-11-61

ILLUSTRATED PARTS LIST

01.1 Page 1080E

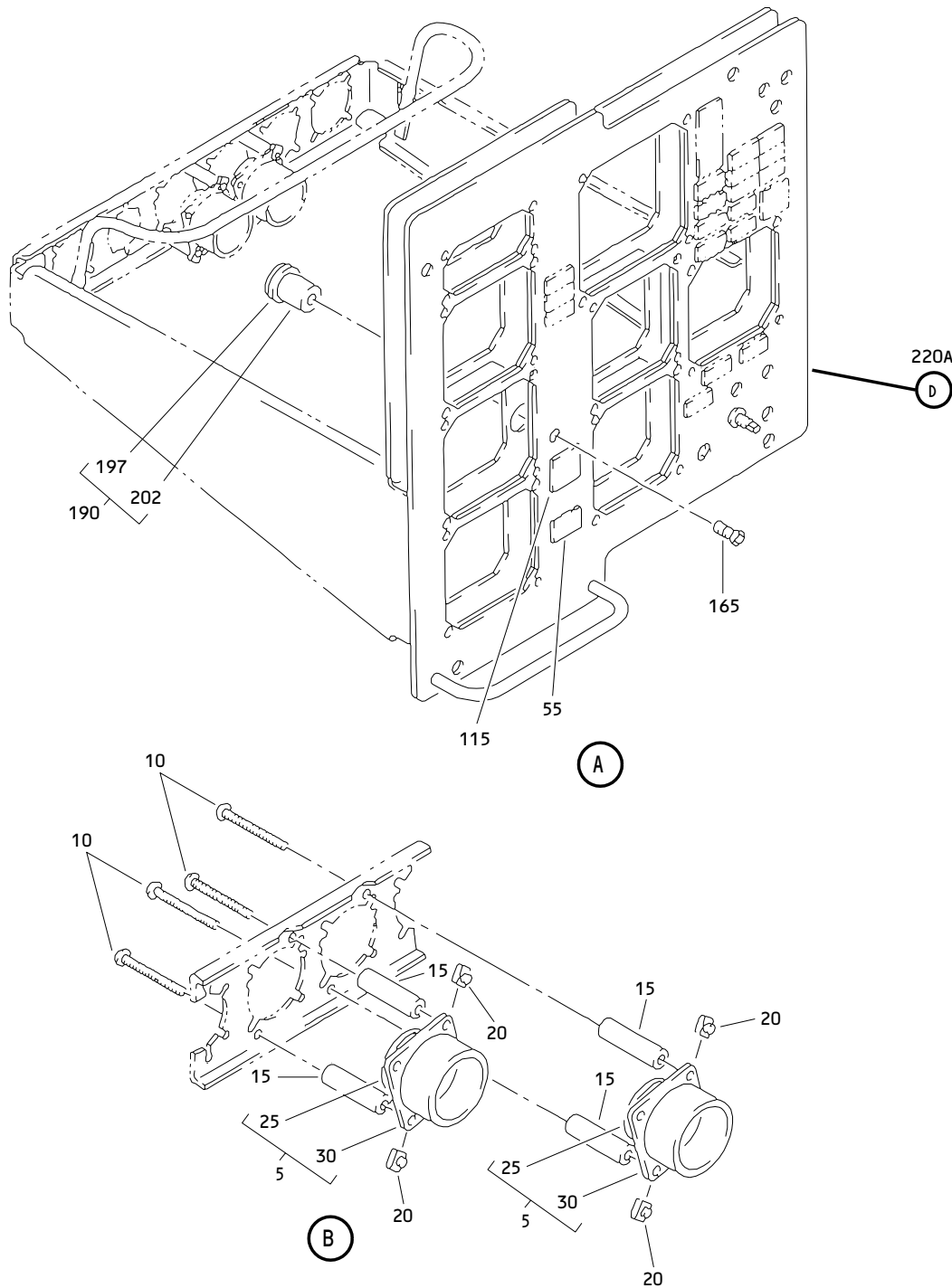
Jul 01/05



2 Crew Control Panel Assembly (P1-3)
Figure 2 (Sheet 1)

31-11-61

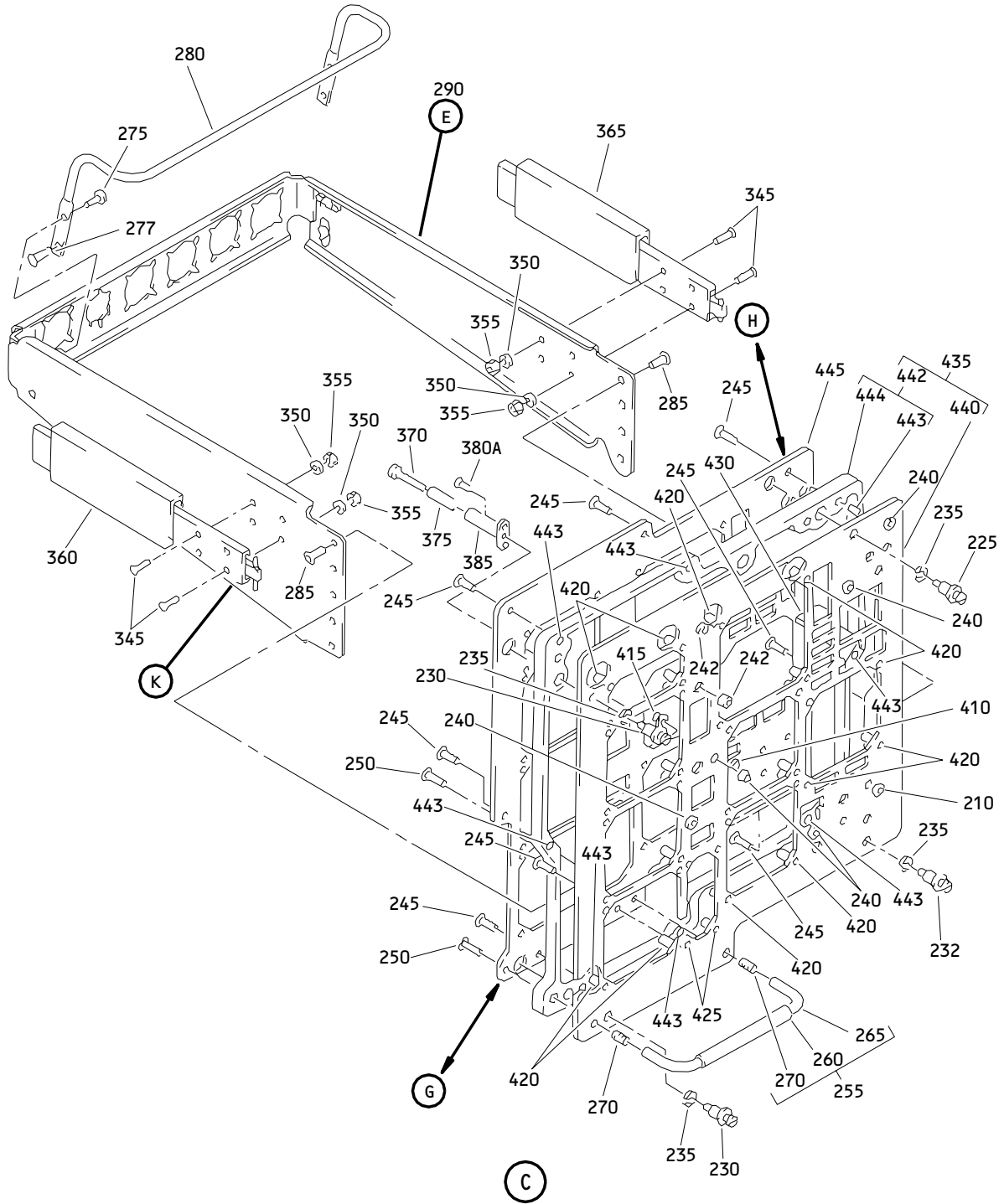
ILLUSTRATED PARTS LIST
01.1 Page 1080G
Jul 01/05



2 Crew Control Panel Assembly (P1-3)
 Figure 2 (Sheet 2)

31-11-61

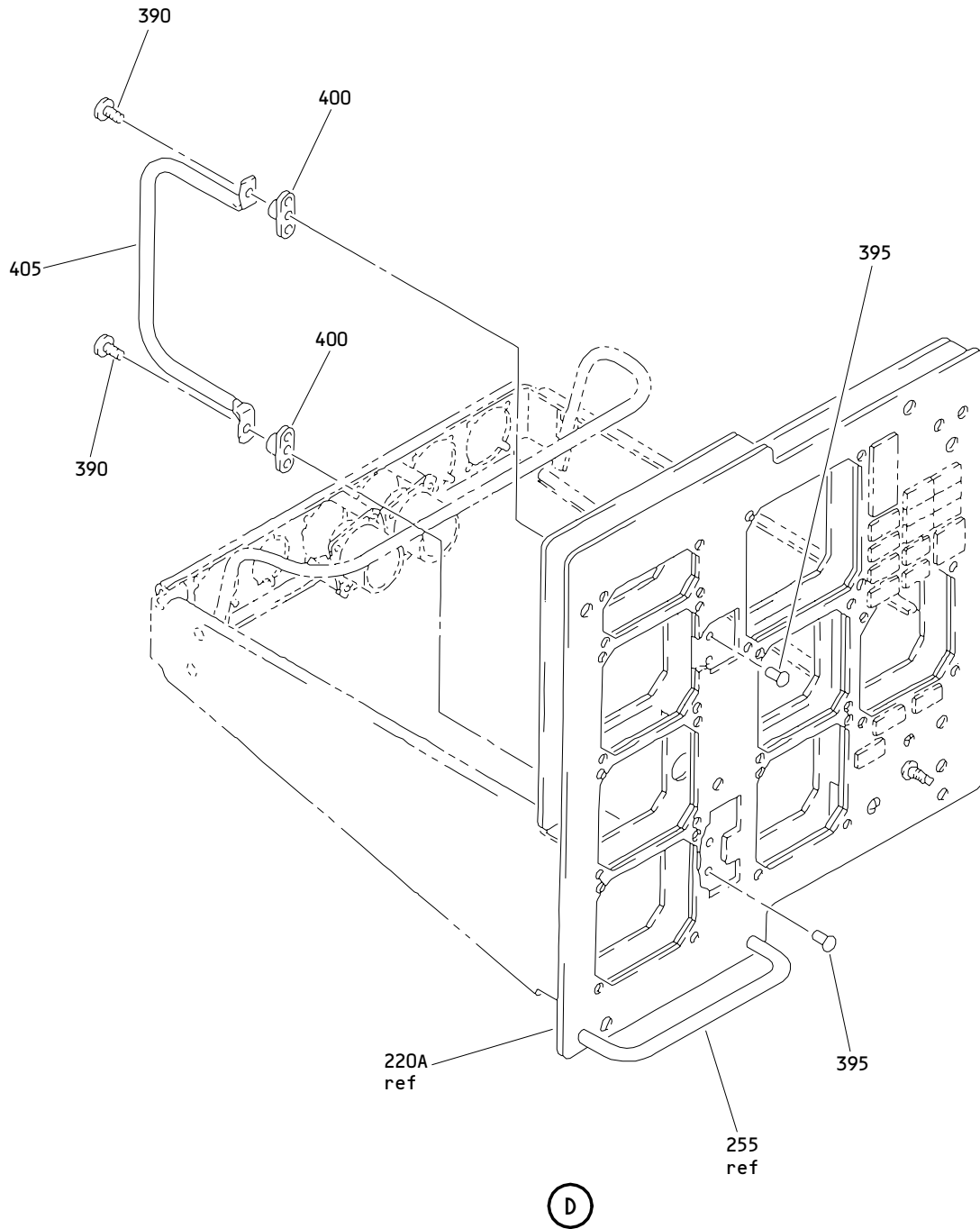
ILLUSTRATED PARTS LIST
 01.1 Page 1080H
 Jul 01/05



2 Crew Control Panel Assembly (P1-3)
Figure 2 (Sheet 3)

31-11-61

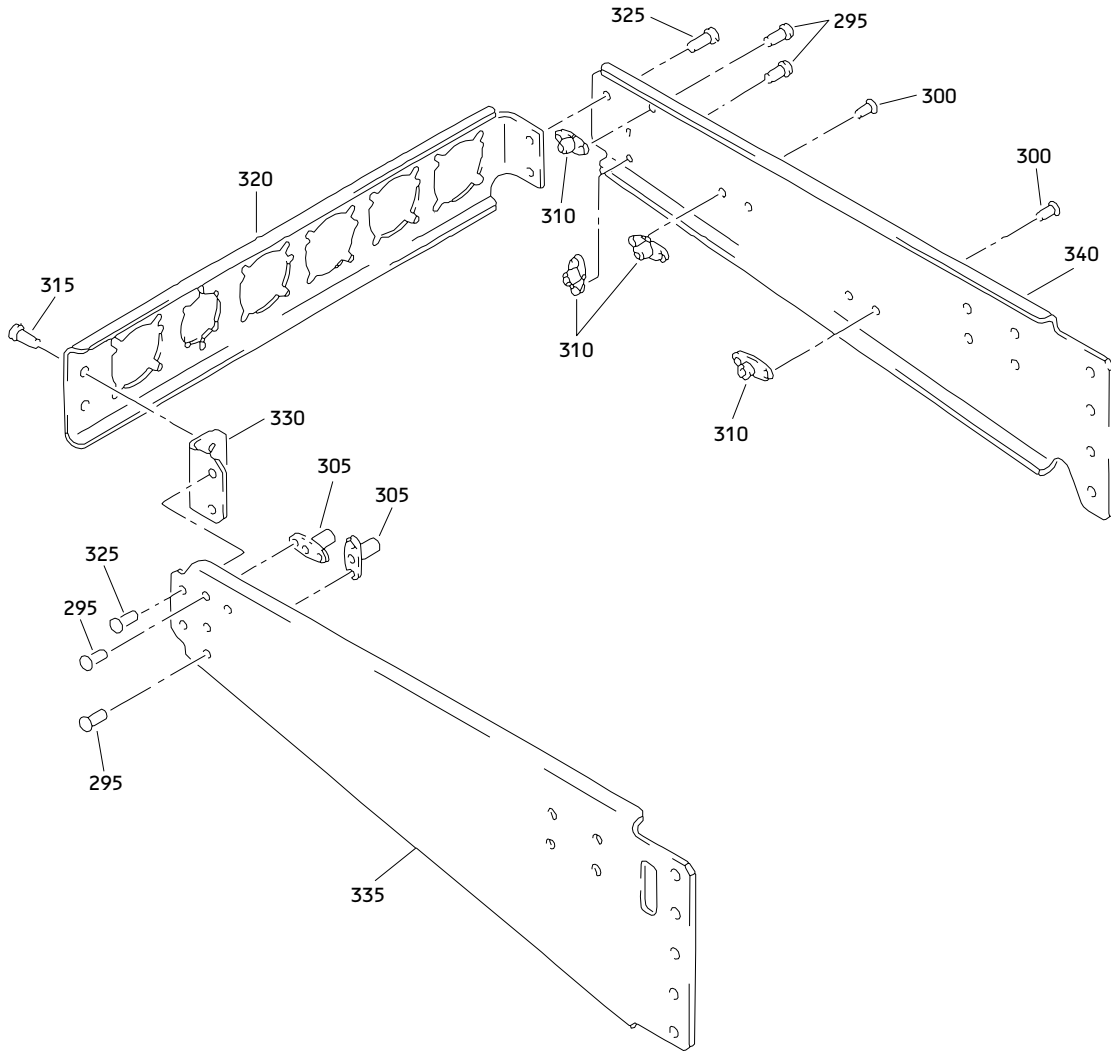
ILLUSTRATED PARTS LIST
01.1 Page 1080I
Jul 01/05



2 Crew Control Panel Assembly (P1-3)
Figure 2 (Sheet 4)

31-11-61

ILLUSTRATED PARTS LIST
01.1 Page 1080J
Jul 01/05

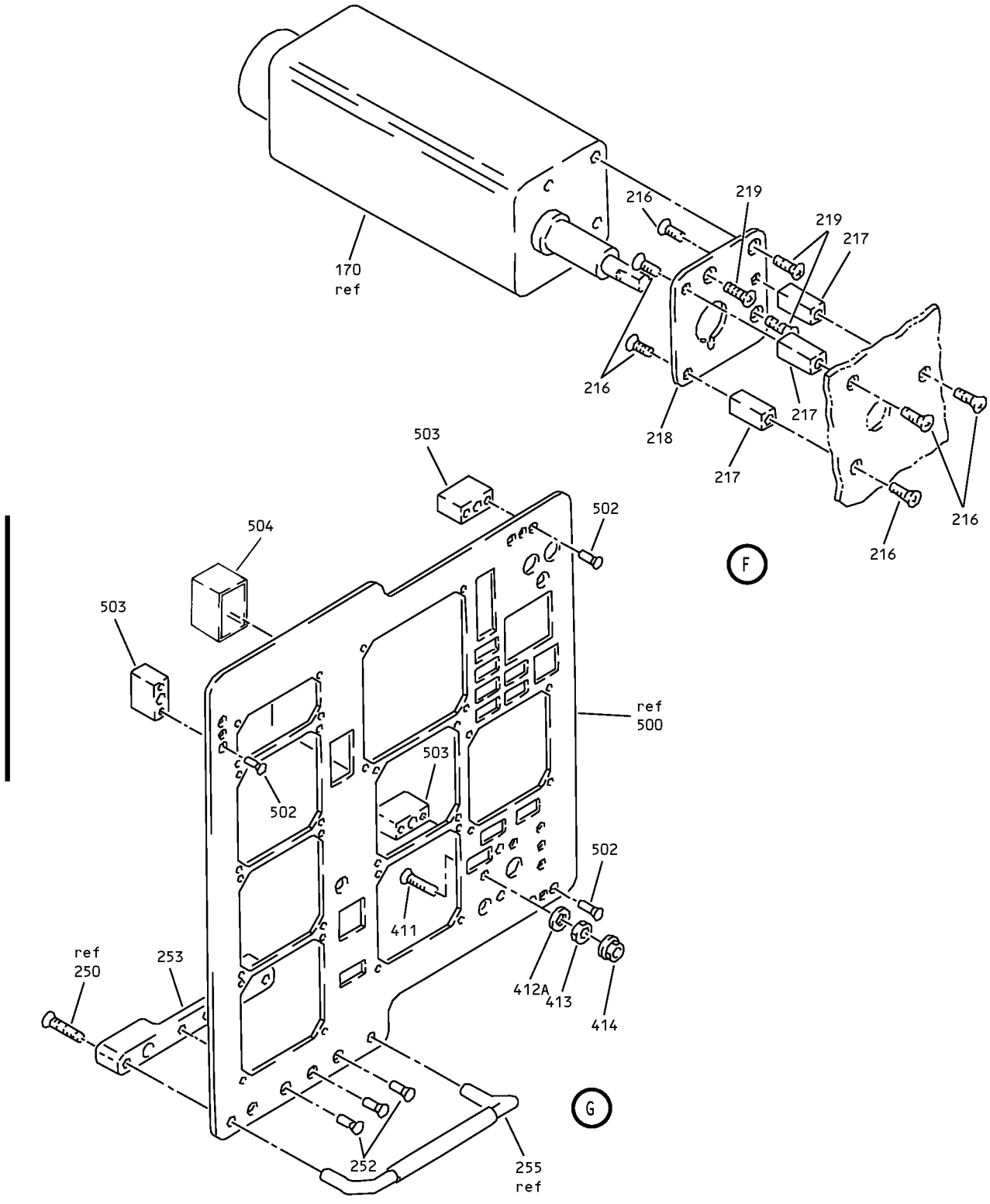


(E)

2 Crew Control Panel Assembly (P1-3)
Figure 2 (Sheet 5)

31-11-61

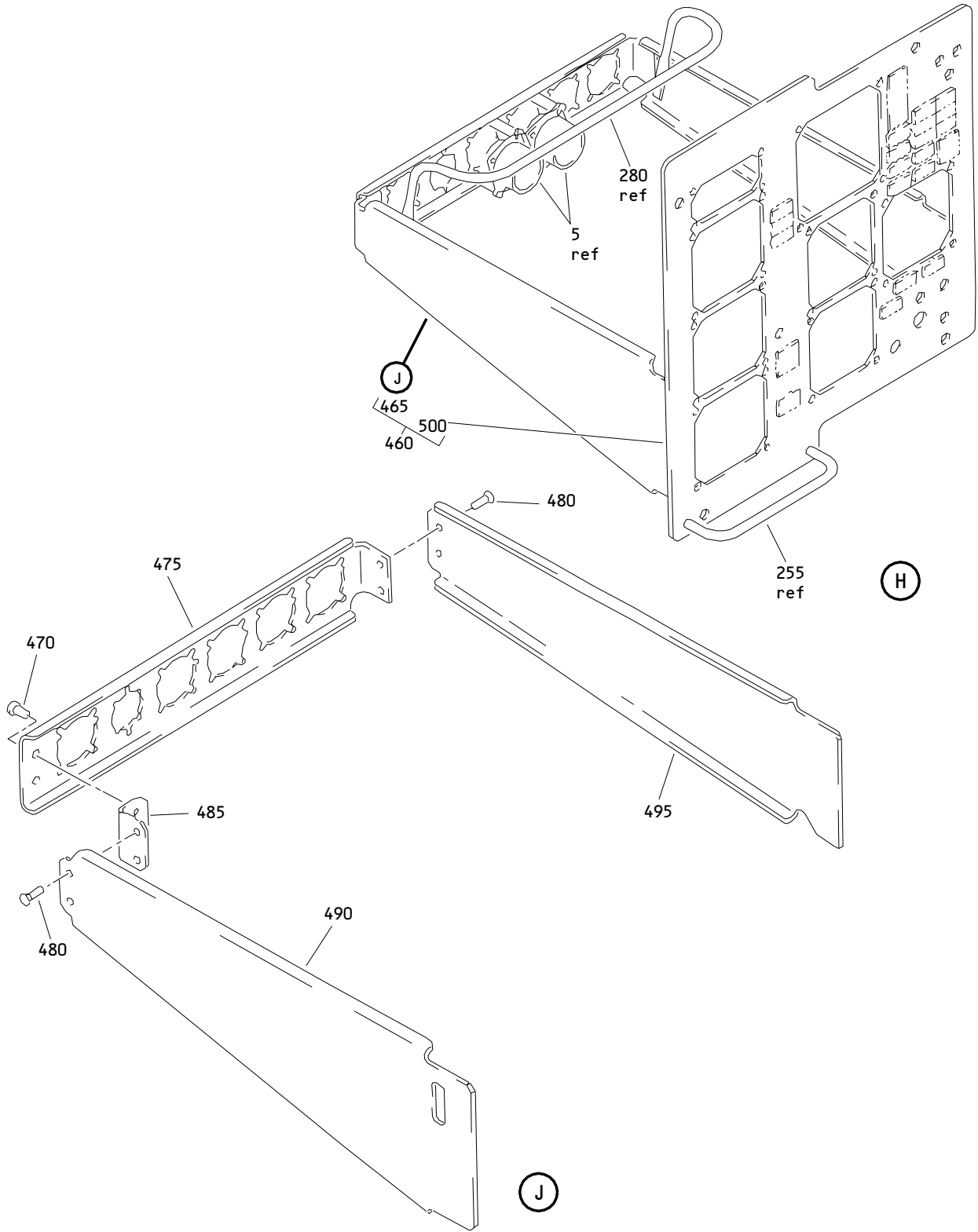
ILLUSTRATED PARTS LIST
01.1 Page 1080K
Jul 01/05



2 Crew Control Panel Assembly (P1-3)
 Figure 2 (Sheet 6)

31-11-61

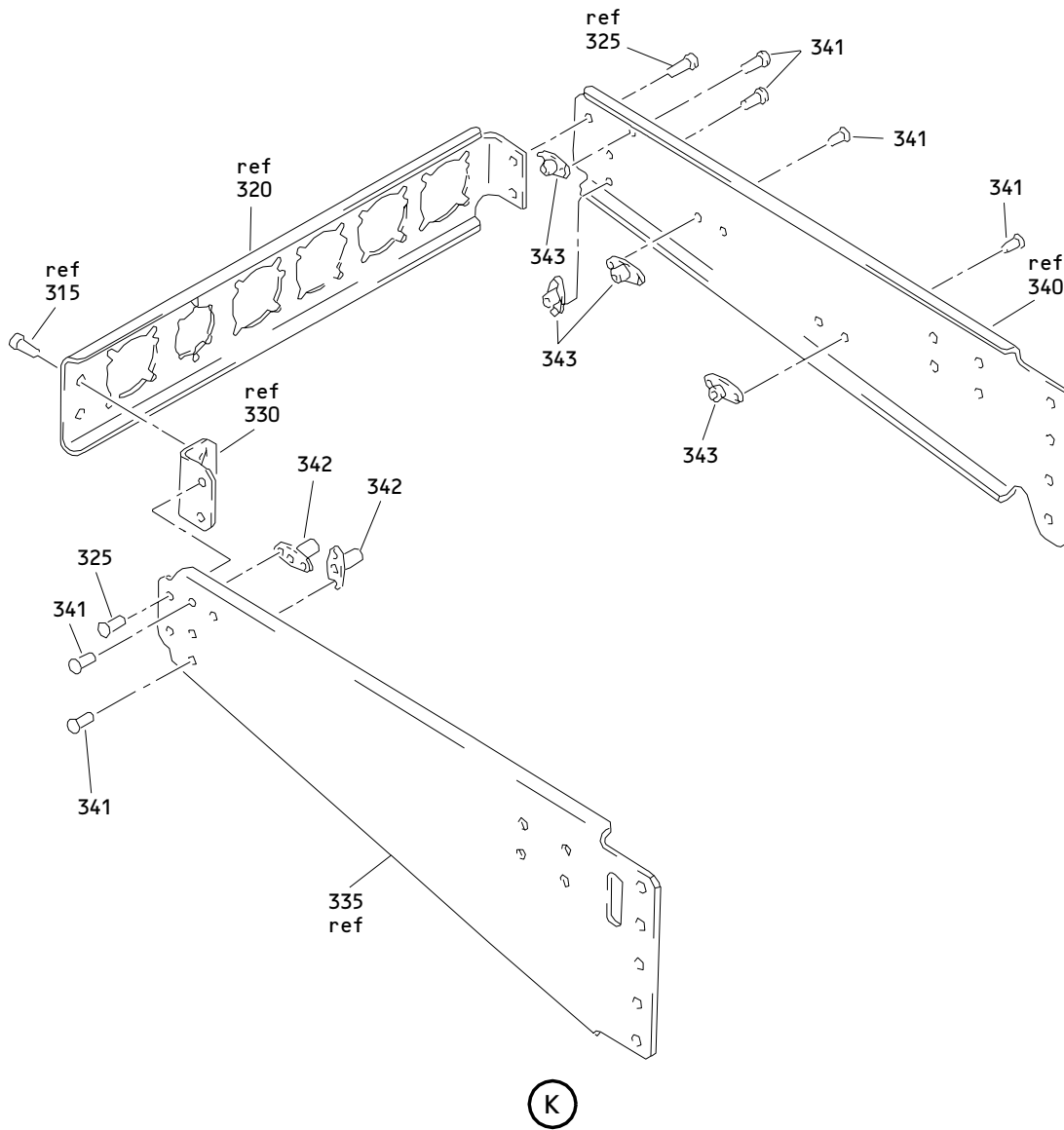
ILLUSTRATED PARTS LIST
 01.1 Page 1080L
 Jul 01/05



2 Crew Control Panel Assembly (P1-3)
Figure 2 (Sheet 7)

31-11-61

ILLUSTRATED PARTS LIST
01.1 Page 1080M
Jul 01/05



2 Crew Control Panel Assembly (P1-3)
 Figure 2 (Sheet 8)

31-11-61

ILLUSTRATED PARTS LIST
 01.1 Page 1080N
 Jul 01/05


BOEING
 COMPONENT
 MAINTENANCE MANUAL

FIG. & ITEM	PART NO.	AIRLINE PART NUMBER	NOMENCLATURE 1234567	EFF CODE	QTY PER ASSY
02-					
-1	233T2222-73		PANEL ASSY-CONT	B	RF
-1A	233T2222-74		PANEL ASSY-CONT	C	RF
-1B	233T2222-80		PANEL ASSY-CONT	F	RF
-1C	233T2222-81		PANEL ASSY-CONT	J	RF
-1D	233T2222-82		PANEL ASSY-CONT	K	RF
-1E	233T2222-84		PANEL ASSY-CONT	L	RF
-1F	233T2222-86		PANEL ASSY-CONT	M	RF
-1G	233T2222-87		PANEL ASSY-CONT	N	RF
-1H	233T2222-88		PANEL ASSY-CONT	P	RF
-1J	233T2222-91		PANEL ASSY-CONT	R	RF
-1K	233T2222-92		PANEL ASSY-CONT	S	RF
-1L	233T2222-96		PANEL ASSY-CONT (P1-3)	V	RF
5	280T1002-1		.RECEPTACLE ASSY-MASTER DIMMER AND PNL LT SHORTING ATTACHING PARTS	B,C,F ,J-P, R,S,V	2
10	NAS600-13P		.SCREW	B,C,F	4
-10A	NAS8200A13		.SCREW- (OPT ITEMS 10B, 10C, 10D)	J-P,R ,S	4
-10B	NAS8200A14		.SCREW- (OPT ITEM 10A)	J-P,R ,S	4
-10C	NAS600-13P		.SCREW- (OPT ITEM 10A)	J-P,R ,S	4
-10D	NAS600-14P		.SCREW- (OPT ITEM 10A)	J-P,R ,S	4
-10E	NAS8200A13		.SCREW	V	4
15	NAS42DD4-34		.SPACER	B,C,F ,J-P, R,S,V	4
20	K19798-04		.NUT- (V15653) (SPEC BACN10NW1) (OPT RMA4812-160-40 (V72962)) (OPT 293162 (V60119)) -----*	B,C,F ,J-P, R,S,V	4
25	280T1002-2		..BOARD-PRINTED CIRCUIT	B,C,F ,J-P, R,S,V	1
30	CN0942-057PN		..CONNECTOR- (V13556)	B,C,F ,J-P, R,S,V	1

31-11-61

ILLUSTRATED PARTS LIST

01.1 Page 10800

Jul 01/05

**COMPONENT
MAINTENANCE MANUAL**

FIG. & ITEM	PART NO.	AIRLINE PART NUMBER	NOMENCLATURE 1234567	EFF CODE	QTY PER ASSY
02- 35	BCREF8535		.LIGHT-IND (V81590) (434-674-1031-2054) (L585) (SPEC S231T300-2054)	B,C,F	1
-35A	BCREF11638		.LIGHT ASSY-SWITCH (V81590) (434-674-1031-2340) (L585) (SPEC S231T300-2340)	J-P,R ,S,V	1
40	BCREF8537		.LIGHT-IND (V81590) (434-674-1031-2070) (L586) (SPEC S231T300-2070)	B,C,F	1
-40A	BCREF11644		.LIGHT ASSY-SWITCH (V81590) (434-674-1031-2341) (L586) (SPEC S231T300-2341)	J-P,R ,S,V	1
45	BCREF8538		.LIGHT-IND (V81590) (434-674-1031-2082) (L587) (SPEC S231T300-2082)	B,C,F	1
-45A	BCREF11647		.LIGHT ASSY-SWITCH (V81590) (434-674-1031-2342) (L587) (SPEC S231T300-2342)	J-P,R ,S,V	1
50	BCREF8578		.LIGHT-IND (V81590) (434-674-1031-2257) (L605) (SPEC S231T300-2257)	B	1
55	BCREF8578		.LIGHT-IND (V81590) (434-674-1031-2257) (L605) (SPEC S231T300-2257)	C,F	1

31-11-61

ILLUSTRATED PARTS LIST

01.1 Page 1080P

Jul 01/05


BOEING
 COMPONENT
 MAINTENANCE MANUAL

FIG. & ITEM	PART NO.	AIRLINE PART NUMBER	NOMENCLATURE 1234567	EFF CODE	QTY PER ASSY
02- -55A	BCREF11668		.LIGHT ASSY-IND BRAKE SOURCE (V81590) (434-674-1031-2353) (L605) (SPEC S231T300-2353)	J-P,R ,S,V	1
60	BCREF9430		.LIGHT-IND (V81590) (434-674-1031-2308) (L890) (SPEC S231T300-2308)	B,C,F	1
-60A	BCREF11672		.LIGHT ASSY-INDICATOR (V81590) (434-674-1031-2361) (L890) (SPEC S231T300-2361)	J-P,R ,S,V	1
65	BCREF8600		.LIGHT-IND (V81590) (434-674-1031-2300) (L716) (SPEC S231T300-2300)	B,C,F	1
-65A	BCREF11671		.LIGHT ASSY-INDICATOR (V81590) (434-674-1031-2359) (L716) (SPEC S231T300-2359)	J-P,R ,S,V	1
70	BCREF8563		.LIGHT-IND (V81590) (434-674-1031-2224) (L136) (SPEC S231T300-2224)	B,C,F	1
-70A	BCREF11649		.LIGHT ASSY-IND ALTITUDE ALERT (V81590) (434-674-1031-2343) (L136) (SPEC S231T300-2343)	J-P,R ,S,V	1

31-11-61

 ILLUSTRATED PARTS LIST
 01.1 Page 1080Q
 Jul 01/05

FIG. & ITEM	PART NO.	AIRLINE PART NUMBER	NOMENCLATURE 1234567	EFF CODE	QTY PER ASSY
02-75	BCREF8564		.LIGHT-IND (V81590) (434-674-1031-2225) (L591) (SPEC S231T300-2225)	B,C,F	1
-75A	BCREF11665		.LIGHT ASSY-IND ALTITUDE ALERT (V81590) (434-674-1031-2344) (L591) (SPEC S231T300-2344)	J-P,R ,S,V	1
80	BCREF8565		.LIGHT-IND (V81590) (434-674-1031-2226) (L19) (SPEC S231T300-2226)	B,C,F	1
-80A	BCREF11666		.LIGHT ASSY-IND AUTOPILOT (V81590) (434-674-1031-2345) (L19) (SPEC S231T300-2345)	J-P,R ,S,V	1
85	BCREF8566		.LIGHT-IND (V81590) (434-674-1031-2227) (L603) (SPEC S231T300-2227)	B,C,F	1
-85A	BCREF11667		.LIGHT ASSY-IND FLT MANAGEMENT CMPTR (V81590) (434-674-1031-2346) (L603) (SPEC S231T300-2346)	J-P,R ,S,V	1

31-11-61

 ILLUSTRATED PARTS LIST
 01.1 Page 1080R
 Jul 01/05


BOEING
 COMPONENT
 MAINTENANCE MANUAL

FIG. & ITEM	PART NO.	AIRLINE PART NUMBER	NOMENCLATURE 1234567	EFF CODE	QTY PER ASSY
02-90	BCREF8583		.LIGHT-IND (V81590) (434-674-1031-2264) (L475) (SPEC S231T300-2264)	B,C,F	1
-90A	BCREF11669		.LIGHT ASSY-INDICATOR (V81590) (434-674-1031-2354) (L475) (SPEC S231T300-2354)	J-P,R ,S,V	1
95	BCREF8584		.LIGHT-IND (V81590) (434-674-1031-2265) (L474) (SPEC S231T300-2265)	B,C,F	1
-95A	BCREF11670		.LIGHT ASSY-INDICATOR (V81590) (434-674-1031-2355) (L474) (SPEC S231T300-2355)	J-P,R ,S,V	1
100	BCREF8526		.LIGHT-IND (V81590) (434-674-1031-2010) (L119) (SPEC S231T300-2010)	B,C,F	1
-100A	BCREF11648		.LIGHT ASSY-IND AUTOBRAKES (V81590) (434-674-1031-2339) (L119) (SPEC S231T300-2339)	J-P,R ,S,V	1

31-11-61

 ILLUSTRATED PARTS LIST
 01.1 Page 1080S
 Jul 01/05



COMPONENT
MAINTENANCE MANUAL

FIG. & ITEM	PART NO.	AIRLINE PART NUMBER	NOMENCLATURE 1234567	EFF CODE	QTY PER ASSY
02-105	BCREF9079		.LIGHT ASSY-IND (V81590) (434-674-1032-2019) (M779) (SPEC S231T301-2104)	B,C,F	1
-105A	S231T301-2105		DELETED		
-105B	BCREF12066		.LIGHT ASSY-INDICATOR (V81590) (434-674-1032-2020) (M779) (SPEC S231T301-2105)	J-P,R ,S,V	1
110	BCREFA0810		.SWITCH-PUSHBUTTON (V81590) (433-673-1004-4075) (S547) (SPEC S231T290-4075) (OPT ITEM 110A)	B	1
-110A	S231T290-5075		.SWITCH-PUSHBUTTON (S547) (OPT ITEM 110)	B	1
-110B	4336731004-4275		DELETED		
115	BCREFA0810		.SWITCH-PUSHBUTTON (V81590) (433-673-1004-4075) (S547) (SPEC S231T290-4075) (OPT ITEM 115A)	C	1
-115A	S231T290-5075		.SWITCH-PUSHBUTTON (S547) (OPT ITEM 115)	C	1
-115B	BCREFA0810		.SWITCH-PUSHBUTTON (V81590) (433-673-1004-4075) (S547) (SPEC S231T290-4075)	F,J-P ,R,S, V	1
-115C	4336731004-4275		DELETED		

31-11-61


BOEING
 COMPONENT
 MAINTENANCE MANUAL

FIG. & ITEM	PART NO.	AIRLINE PART NUMBER	NOMENCLATURE 1234567	EFF CODE	QTY PER ASSY
02-120	BCREFA0531		. SWITCH-PUSHBUTTON (V81590) (433-673-1004-4070) (S16) (SPEC S231T290-4070) (OPT ITEM 120A)	B,C	1
-120A	S231T290-5070		. SWITCH-PUSHBUTTON (S16) (OPT ITEM 120)	B,C	1
R -120B	BCREFA0531		. SWITCH-PUSHBUTTON (V81590) (433-673-1004-4070) (S16) (SPEC S231T290-4070)	F,J-P ,R,S, V	1
-120C 123	4336731004-4270 285T0112-6		DELETED . SENSOR ASSY- (STATIC SENSITIVE PART) (TS281) (REF CMM 33-16-51)	B,C,F ,J-P, R,S,V	1
125	123-10D		. CLAMP- (V28277)	B,C	1
-125A	123-3215G		. CLAMP- (V28277)	F	1
-125B	123-3215F		. CLAMP- (V28277)	J,L-P ,R,S, V	1
130	123-10D		. CLAMP- (V28277)	B	1
135	123-3D		. CLAMP- (V28277)	B,C	4
-135A	123-3232G		. CLAMP- (V28277)	F	4

31-11-61

 ILLUSTRATED PARTS LIST
 01.1 Page 1080U
 Jul 01/05

FIG. & ITEM	PART NO.	AIRLINE PART NUMBER	NOMENCLATURE 1234567	EFF CODE	QTY PER ASSY
02-					
-135B	123-3232F		. CLAMP- (V28277)	J-P,R ,S,V	4
137	123-3D		. CLAMP- (V28277)	B,C	1
-137A	123-3232G		. CLAMP- (V28277)	F	1
-137B	123-3232F		. CLAMP- (V28277)	J-P,R ,S	1
140	123-4D		. CLAMP- (V28277)	B,C	1
-140A	123-4040G		. CLAMP- (V28277)	F	1
-140B	123-4040F		. CLAMP- (V28277)	J-P,R ,S,V	1
145	123-03004A3		. CLAMP- (V28277)	B,C	1
-145A	123-3232HK		. CLAMP- (V28277)	F	1
-145B	123-3232HJ		. CLAMP- (V28277)	J-P,R ,S,V	1
150	NAS514P632-18		. SCREW	F	3
155	800000121-1		. CONNECTOR-POWER (V05617) (L494, L662)	B,C,F ,J-P, R,S,V	2
160	800000121-1		. CONNECTOR-POWER (V05617) (L609)	B,F,M ,S	1
165	800000121-1		. CONNECTOR-POWER (V05617) (L609)	C,F, J-P,R ,S,V	1

31-11-61

 ILLUSTRATED PARTS LIST
 01.1 Page 1080V
 Jul 01/05


BOEING
 COMPONENT
 MAINTENANCE MANUAL

FIG. & ITEM	PART NO.	AIRLINE PART NUMBER	NOMENCLATURE 1234567	EFF CODE	QTY PER ASSY
02-170	AC30-0003-3		.SWITCH-AUTOBRAKE (V91812) (S24) (SPEC S283T022-3)	B,C,F ,J-P, R,S,V	1
175	2PB11H58		.SWITCH-SPDT (V91929) (S10170, S10230)	B,C,F ,J-P, R,S,V	2
177	2PB11H58		.SWITCH-SPDT (V91929) (S00918)	F,M,S	1
180	233T2220-10		.CUP ASSY	B,C,F	1
185	233T2220-10		.CUP ASSY	B,F	1
190	233T2220-10		.CUP ASSY	C,F	1
195	233T2220-12		..SEAL	B,C,F	1
197	233T2220-12		..SEAL	F	1
200	233T2220-11		..CUP	B,C,F	1
202	233T2220-11		..CUP	F	1
205	233T2220-13		.CLIP ASSY	B,C,F	1
210	233T2220-15		..SEAL	B,C,F	1
215	233T2220-14		..CLIP	B,C,F	1
216	BACS12ER06-6		DELETED		
216A	BACS12ER06K6		.SCREW	J-P,R ,S,V	6
217	69B46200-21		.STANDOFF	J-P,R ,S,V	3
218	233T6200-214		.BRACKET-SUPPORT	J-P,R ,S,V	1
219	BACS12ER06K5		ATTACHING PARTS .SCREW	J-P,R ,S,V	3
			-----*-----		
220	233T2224-21		.FORWARD PANEL ASSY	B	1
220A	233T2224-1		.FORWARD PANEL ASSY	C	1

31-11-61

ILLUSTRATED PARTS LIST

01.1 Page 1080W

Jul 01/05

FIG. & ITEM	PART NO.	AIRLINE PART NUMBER	NOMENCLATURE 1234567	EFF CODE	QTY PER ASSY
02-					
-220B	233T2224-22		. FORWARD PANEL ASSY	F	1
-220C	233T2224-26		. FORWARD PANEL ASSY- (OPT ITEM 220G)	J,N,P	1
-220D	233T2224-28		. FORWARD PANEL ASSY- (OPT ITEM 220H)	K	1
-220E	233T2224-32		. FORWARD PANEL ASSY- (OPT ITEM 220J)	L,R	1
-220F	233T2224-34		. FORWARD PANEL ASSY- (OPT ITEM 220K)	M,S	1
-220G	233T2224-42		. FORWARD PANEL ASSY- (OPT ITEM 220C)	J,N,P	1
-220H	233T2224-45		. FORWARD PANEL ASSY- (OPT ITEM 220D)	K	1
-220J	233T2224-51		. FORWARD PANEL ASSY- (OPT ITEM 220E)	L,R	1
-220K	233T2224-54		. FORWARD PANEL ASSY- (OPT ITEM 220F)	M,S	1
-220L	233T2224-61		. FORWARD PANEL ASSY	V	1
225	BACS21Y37RB		.. STUD ASSY	B,C,F	1
-225A	BACS21Y36RB		.. STUD ASSY	J-P,R ,S	1
-225B	BACS21EE36RB		.. STUD ASSY	V	1
230	BACS21Y36RB		.. STUD ASSY	B,C,F	2
-230A	BACS21Y35RB		.. STUD ASSY	J-P,R ,S	2
-230B	BACS21EE35RB		.. STUD ASSY	V	1
232	BACS21Y36RB		.. STUD ASSY	B,C,F ,J-P, R,S	1

31-11-61

ILLUSTRATED PARTS LIST

01.1 Page 1080X

Jul 01/05


BOEING
 COMPONENT
 MAINTENANCE MANUAL

FIG. & ITEM	PART NO.	AIRLINE PART NUMBER	NOMENCLATURE 1234567	EFF CODE	QTY PER ASSY
02-					
-232A	BACS21EE35RB		..STUD ASSY	V	1
235	2600LW		..WASHER- (V71286) (SPEC BACW10X4) (OPT 1127700 (V60119))	B,C,F	4
-235A	2600SW2		..WASHER- (V71286) (SPEC BACW10X2S) (OPT 1127723 (V60119))	J-P,R ,S,V	4
240	SF10G6CBA5D		..NUT-PRESS (V12324) (H1-H6)	B,C,F	6
-240A	SF12G6CBB5D		..NUT-PRESS (V12324) (H1-H6)	J-P,R ,S,V	6
242	SF12G6CBA5D		..NUT-PRESS (V12324) (H7,H8)	F	2
-242A	SF12G6CBB5D		..NUT-PRESS (V12324) (H7,H8)	M,S	2
245	NAS514P832-8		..SCREW	B,C,F	8
250	NAS514P1032-16		..SCREW	B,C,F	2
-250A	BACS12ER3K16		..SCREW	J-P,R ,S,V	2
252	BACR15BA6AD		..RIVET- (SIZE DETERMINE ON INST) (NHA 233T2224)	B,C,F ,J-P, R,S,V	3
253	012002-103		..SPACER- (V28277)	B,C,F ,J-P, R,S,V	1
255	233T2218-9		..FOOTREST ASSY	B,C,F ,J-P, R,S,V	1

31-11-61

ILLUSTRATED PARTS LIST

01.1 Page 1080Y

Jul 01/05

FIG. & ITEM	PART NO.	AIRLINE PART NUMBER	NOMENCLATURE 1234567	EFF CODE	QTY PER ASSY
02-260	233T2221-3		...SURFACING ANTI SLIP	B,C,F ,J-P, R,S,V	1
265	233T2218-11		...FOOTREST	B,C,F ,J-P, R,S,V	1
270	MS21209F1-30		...INSERT	B,C,F ,J-P, R,S,V	2
275	NAS603-5P		..SCREW	B,C,F	2
-275A	NAS8203A5		..SCREW	J-P,V	2
277	NAS603-9P		..SCREW	B,C,F	2
-277A	NAS8203A5		DELETED		
-277B	NAS8203A8		..SCREW	J-P,R ,S,V	2
280	233T2219-8		..TUBE-WIRING SUPPORT	B,C,F ,J-P, R,S,V	1
285	BACR15FT5AD		..RIVET- (SIZE DETERMINE ON INST)	B,C,F	9
290	233T2228-2		..BRACKET ASSY	B,C,F	1
295	BACR15BB3AD		...RIVET- (SIZE DETERMINE ON INST)	B,C,F	8
300	BACR15BA3AD		...RIVET- (SIZE DETERMINE ON INST)	B,C,F	4
305	WSI4-6		...NUT-SPACER PLATE (V04169) (SPEC BACN10TL3-6)	B,C,F	2
310	WSI4-3		...NUTPLATE- (V04169) (SPEC BACN10TL3-3)	B,C,F	4
315	BACR15FT5AD		...RIVET- (SIZE DETERMINE ON INST)	B,C,F	2
320	233T2229-2		...BRACKET	B,C,F	1
325	BACR15CE5AD		...RIVET- (SIZE DETERMINE ON INST)	B,C,F	4
330	233N2213-4		...ANGLE	B,C,F	1
335	233N2213-1		...BRACKET	B,C,F	1
340	233N2213-6		...BRACKET	B,C,F	1
341	BACR15BA3AD		..RIVET- (SIZE DETERMINE ON INST)	J-P,R ,S,V	12

31-11-61

 ILLUSTRATED PARTS LIST
 01.1 Page 1080Z
 Jul 01/05


BOEING
 COMPONENT
 MAINTENANCE MANUAL

FIG. & ITEM	PART NO.	AIRLINE PART NUMBER	NOMENCLATURE 1234567	EFF CODE	QTY PER ASSY
02-342	WSI4-6		..NUTPLATE-SPACER (V04169) (SPEC BACN10TL3-6)	J-P,R ,S,V	2
343	WSI4-3		..NUTPLATE- (V04169) (SPEC BACN10TL3-3)	J-P,R ,S,V	4
345	NAS514P832-10		..SCREW	B,C,F	8
-345A	BACS12ER08K10		..SCREW	J-P,R ,S,V	8
350	AN960C8L		..WASHER	B,C,F	8
-350A	NAS1149CN816R		..WASHER	J-P,R ,S,V	8
355	MS21042L3		..NUT	B,C,F	8
-355A	H52732-08CD		..NUT- (V15653) (SPEC BACN10YR08CD) (OPT PLH508CD (V62554))	J-P,R ,S,V	8
360	120492BL		..SLIDE- (V05236)	B,C,F ,J-P, R,S,V	1
365	120492BR		..SLIDE- (V05236)	B,C,F ,J-P, R,S,V	1
370	NAS603-5P		..SCREW	B	1
-370A	NAS8203A26		..SCREW	L,R	1
375	NAS42DD6-88		..SPACER	B,L,R	1
380	BACR15BB3AD		DELETED		
380A	BACR15BA3AD		..RIVET- (SIZE DETERMINE ON INST)	B,L,R	2

31-11-61

ILLUSTRATED PARTS LIST

01.1

Page 1081

Jul 01/05

FIG. & ITEM	PART NO.	AIRLINE PART NUMBER	NOMENCLATURE 1234567	EFF CODE	QTY PER ASSY
02-385	WSI4-24		..NUTPLATE- (V04169) (SPEC BACN10TL3-24)	B,L,R	1
390	NAS603-5P		..SCREW	C,F	2
-390A	NAS8203A5		DELETED		
-390B	NAS8203A8		..SCREW	J,K, M-P,S ,V	2
395	BACR15BB3AD		..RIVET- (SIZE DETERMINE ON INST)	C,F	4
-395A	BACR15BA3AD		..RIVET- (SIZE DETERMINE ON INST)	J,K, M-P,S ,V	4
400	WSI4-3		..NUTPLATE- (V04169) (SPEC BACN10TL3-3)	B,C,F	2
-400A	WSI4-10		..NUTPLATE- (V04169) (SPEC BACN10TL3-10)	J,K, M-P,S ,V	2
405	233T2219-4		..TUBE-WIRING SPT	C,F,J ,K, M-P,S ,V	1
410	VNS1924CA2-8		..STUD-GROUND (V5M902) (SPEC BACS53B1EA2) (OPT VNS1924CA3-2-8 (V92215))	B,C,F	1
411	BACS12ER3K12		..SCREW-GROUND	J-P,R ,S,V	1
412	NAS1149D0463J		DELETED		
412A	NAS1149D0363J		..WASHER	J-P,R ,S,V	1

31-11-61

 ILLUSTRATED PARTS LIST
 01.1 Page 1082
 Jul 01/05


BOEING
 COMPONENT
 MAINTENANCE MANUAL

FIG. & ITEM	PART NO.	AIRLINE PART NUMBER	NOMENCLATURE 1234567	EFF CODE	QTY PER ASSY
02-413	MS35650-305T		..NUT	J-P,R ,S,V	1
414	H52732-3CD		..NUT- (V15653) (SPEC BACN10YR3CD) (OPT PLH53CD (V62554))	J-P,R ,S,V	1
415	MS21042L08		..NUT	B,C	1
-415A	H10-3BAC		..NUT- (V15653) (SPEC BACN10JC3) (OPT NS202101-02 (V80539)) (OPT RMLH9075-3W (V72962)) (OPT T6S1032J (V71087)) (OPT VN303A02 (V92215)) (OPT 96-02 (V80539)) (OPT BRH10A3 (V52828))	F	1
420	350-1		..SPACER- (V28277)	B,C,F	35
425	350-1		..SPACER- (V28277)	B	4
430	233T2229-8		..ANGLE	B,C,F	1
435	233T2224-20		..FRAME ASSY	B	1
-435A	233T2224-4		..FRAME ASSY	C	1
-435B	233T2224-25		..FRAME ASSY	F	1
440	233T2224-19		...BASEPLATE-FRONT	B	1
-440A	233T2224-3		...BASEPLATE-FRONT	C	1
-440B	233T2224-24		...BASEPLATE-FRONT	F	1
442	233T2226-1		...FRAME ASSY	B,C,F	1
443	MS21209C0825P	INSERT	B,C,F	8
444	233T2226-4	FRAME	B,C,F	1
445	233T2224-18		..BASEPLATE-REAR	B	1
-445A	233T2224-2		..BASEPLATE-REAR	C	1
-445B	233T2224-23		..BASEPLATE-REAR	F	1

31-11-61

 ILLUSTRATED PARTS LIST
 01.1 Page 1082A
 Jul 01/05

**COMPONENT
MAINTENANCE MANUAL**

FIG. & ITEM	PART NO.	AIRLINE PART NUMBER	NOMENCLATURE 1234567	EFF CODE	QTY PER ASSY
02-					
-450	286T0013		DELETED		
455	BAC27TFDE0439		DELETED		
460	233T2224-37		..BASEPLATE ASSY- (USED ON ITEM 220C)	J,N,P	1
-460A	233T2224-38		..BASEPLATE ASSY- (USED ON ITEM 220D)	K	1
-460B	233T2224-40		..BASEPLATE ASSY- (USED ON ITEM 220E)	L,R	1
-460C	233T2224-41		..BASEPLATE ASSY- (USED ON ITEM 220F)	M,S	1
-460D	233T2224-43		..BASEPLATE ASSY- (USED ON ITEM 220G)	J,N,P	1
-460E	233T2224-46		..BASEPLATE ASSY- (USED ON ITEM 220H)	K	1
-460F	233T2224-52		..BASEPLATE ASSY- (USED ON ITEM 220J)	L,R	1
-460G	233T2224-55		..BASEPLATE ASSY- (USED ON ITEM 220K)	M,S	1
-460H	233T2224-62		..BASEPLATE ASSY	V	1
465	233T2228-7		...BRACKET ASSY	J-P,R ,S,V	1
470	BACR15FT5AD	RIVET- (SIZE DETERMINE ON INST)	J-P,R ,S,V	2
475	233T2229-10	BRACKET	J-P,R ,S,V	1
480	BACR15CE5AD	RIVET- (SIZE DETERMINE ON INST)	J-P,R ,S,V	4
485	233N2213-22	ANGLE	J-P,R ,S,V	1
490	233N2229-13	BRACKET	J-P,R ,S,V	1
495	233N2229-14	BRACKET	J-P,R ,S,V	1
500	233T2224-27		...BASEPLATE- (USED ON ITEM 460)	J,N,P	1
-500A	233T2224-29		...BASEPLATE- (USED ON ITEM 460A)	K	1
-500B	233T2224-33		...BASEPLATE- (USED ON ITEM 460B)	L,R	1
-500C	233T2224-35		...BASEPLATE- (USED ON ITEM 460C)	M,S	1
-500D	233T2224-44		...BASEPLATE- (USED ON ITEM 460D)	J,N,P	1
-500E	233T2224-47		...BASEPLATE- (USED ON ITEM 460E)	K	1

31-11-61

ILLUSTRATED PARTS LIST

01.1 Page 1082B

Jul 01/05

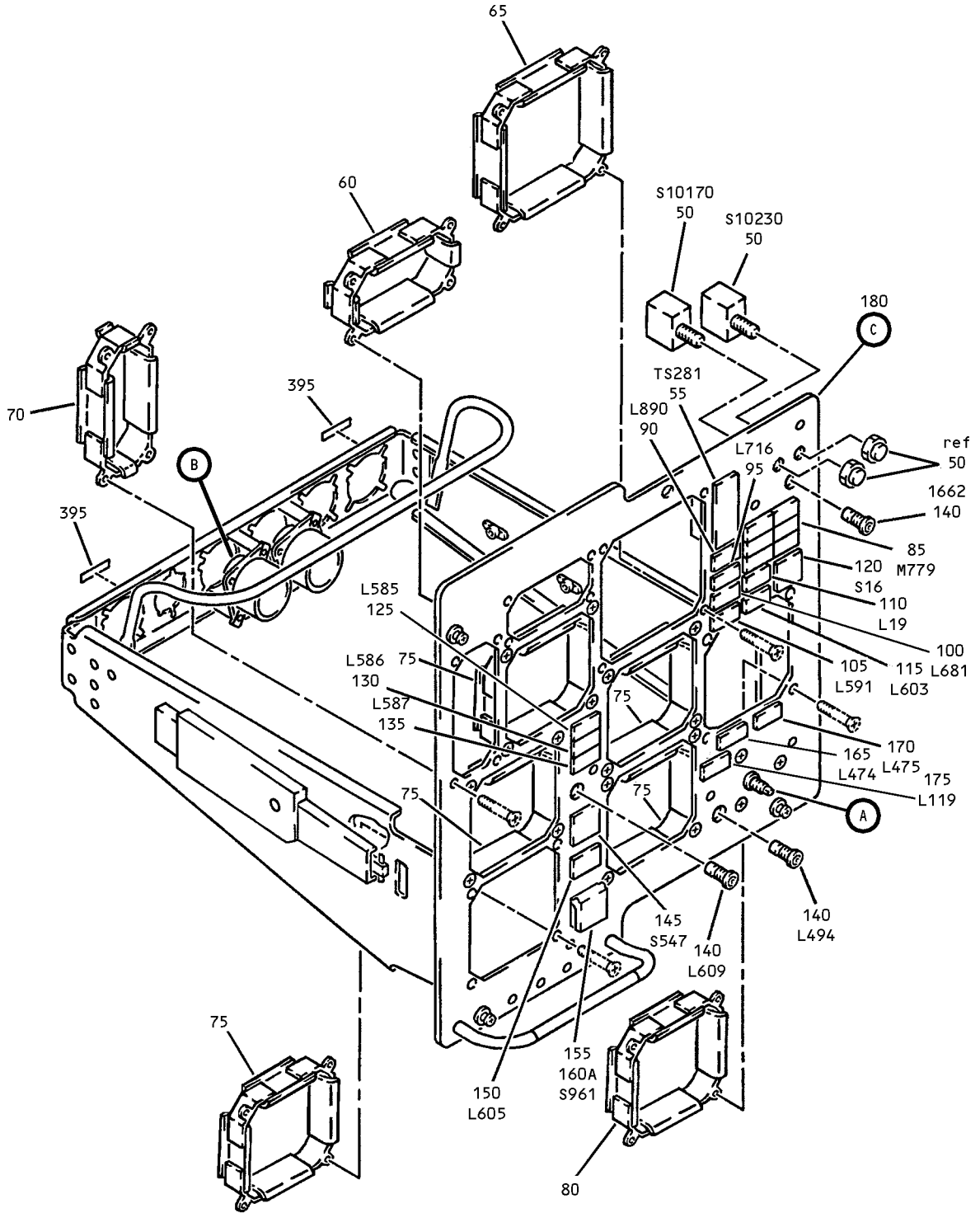

BOEING
 COMPONENT
 MAINTENANCE MANUAL

FIG. & ITEM	PART NO.	AIRLINE PART NUMBER	NOMENCLATURE 1234567	EFF CODE	QTY PER ASSY
02- -500F	233T2224-53		...BASEPLATE- (USED ON ITEM 460F)	L,R	1
-500G	233T2224-56		...BASEPLATE- (USED ON ITEM 460G)	M,S	1
-500H	233T2224-63		...BASEPLATE	V	1
502	BACR15BA3AD		..RIVET- (SIZE DETERMINE ON INST) (NHA 233T2224)	B,C,F ,J-P, R,S,V	6
503	012002-101		..SPACER- (V28277)	J-P,R ,S,V	3
504	233T2229-19		..SPACER	J-P,R ,S,V	1
-505	286T0013		.WIRE BUNDLE	B,C,F ,J-N, V	1
510	BAC27TFDE0439		.DECAL-CAUTION ELECTROSTATIC SENSITIVE DEVICE. CONDUCTIVE CONNECTOR DUST COVER REQUIRED	B,C,F ,J-P, R,S,V	2

- Item Not Illustrated

31-11-61

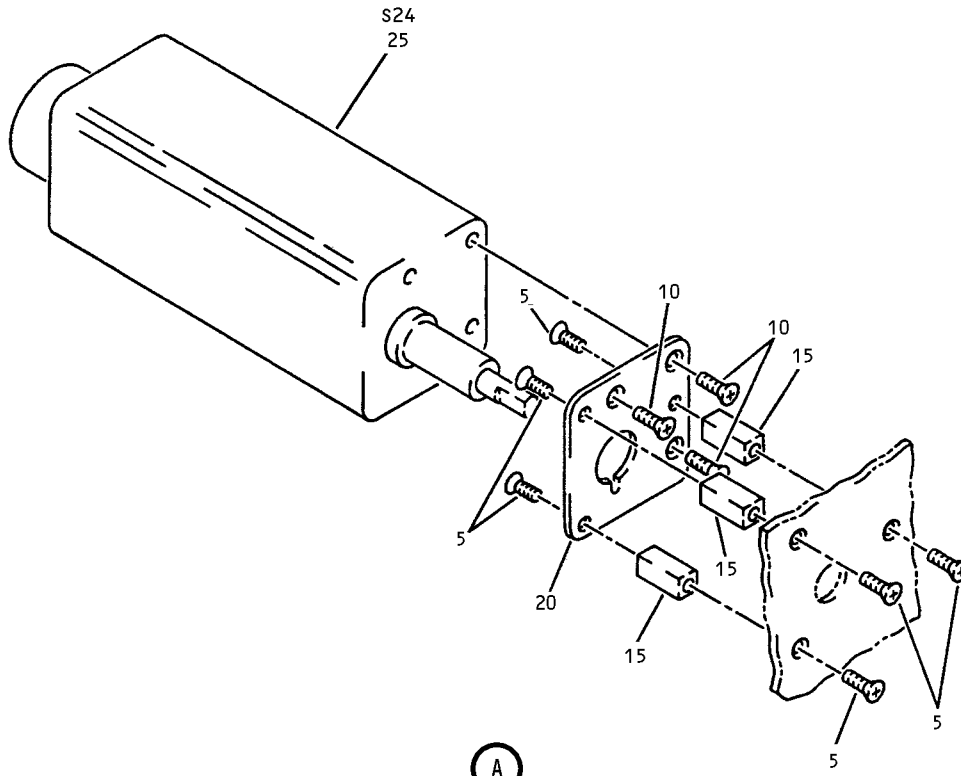
ILLUSTRATED PARTS LIST
 01.1 Page 1082C
 Jul 01/05



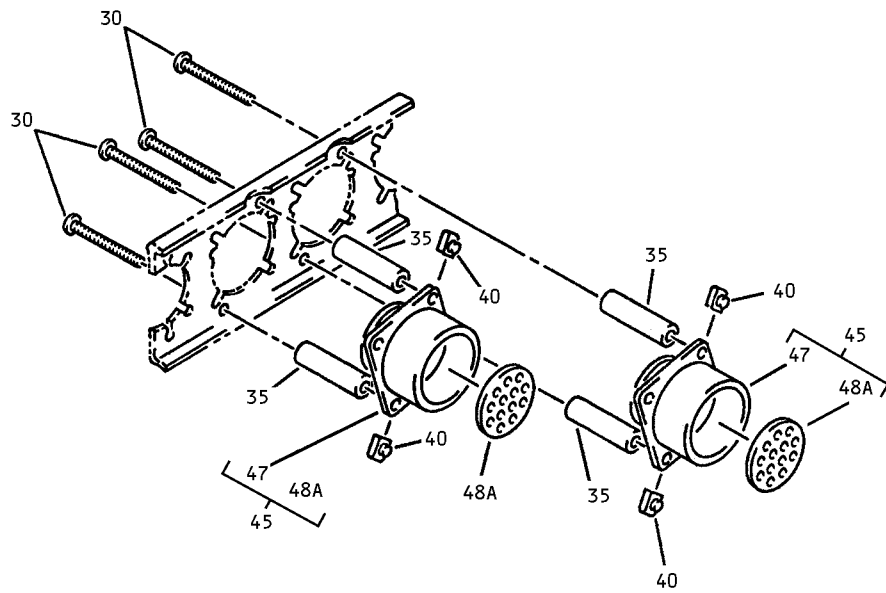
2 Crew Control Panel Assembly (P1-3)
 Figure 3 (Sheet 1)

31-11-61

ILLUSTRATED PARTS LIST
 01.1 Page 1082E
 Jul 01/05



(A)

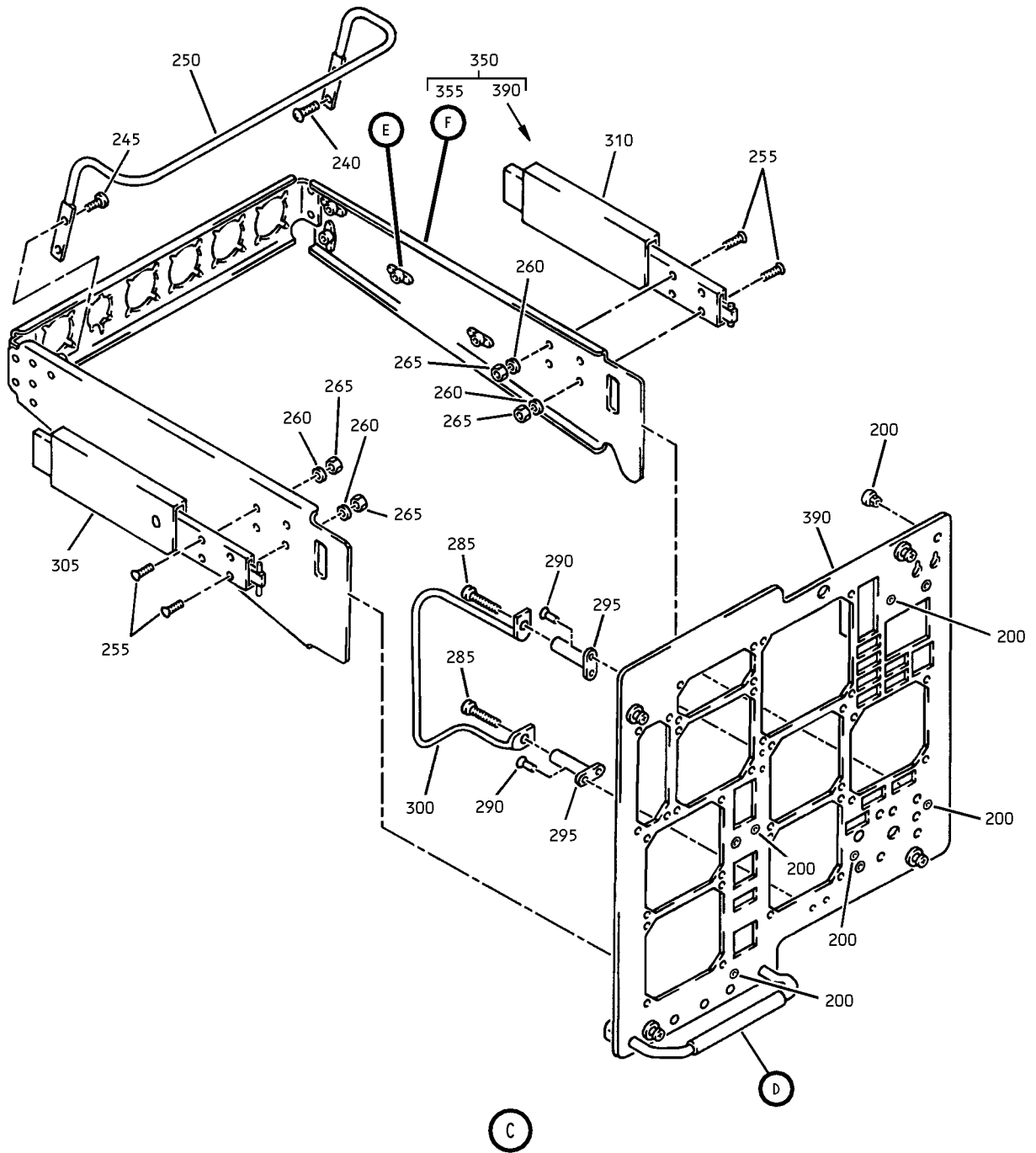


(B)

2 Crew Control Panel Assembly (P1-3)
 Figure 3 (Sheet 2)

31-11-61

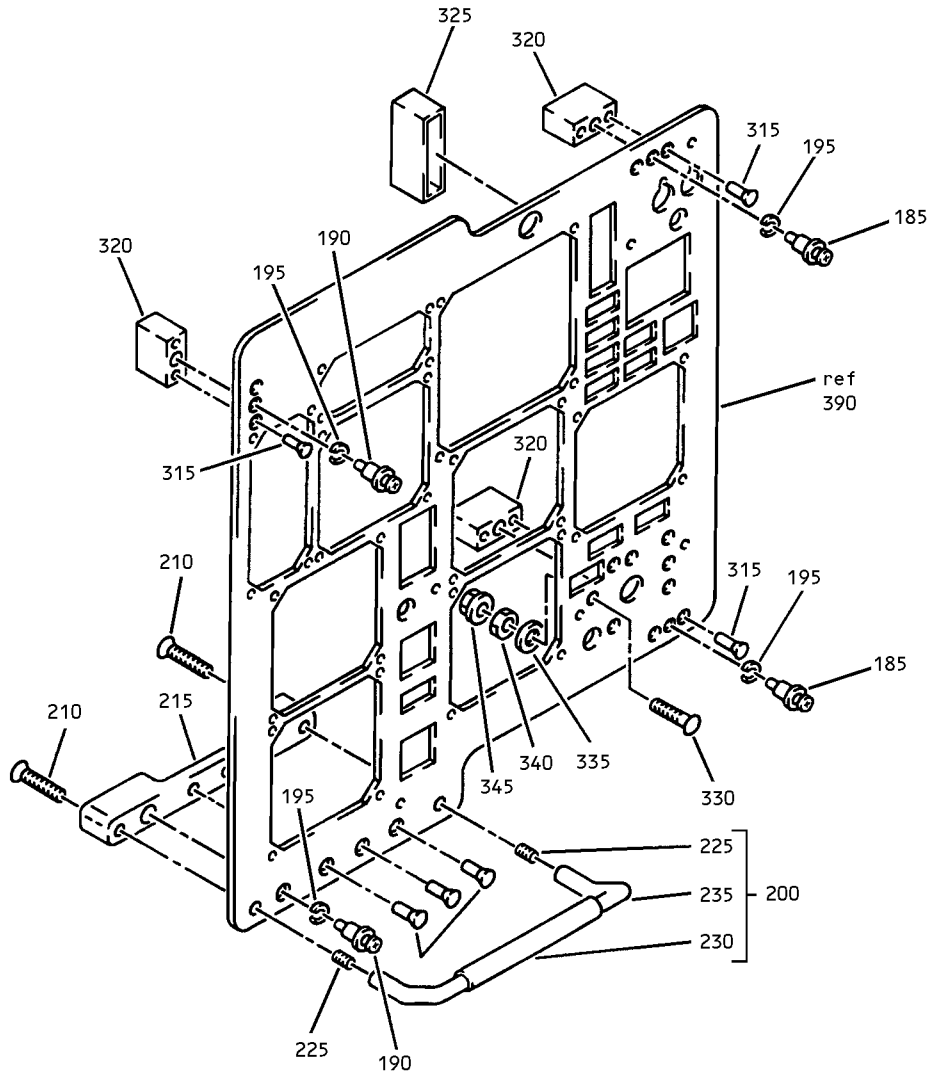
ILLUSTRATED PARTS LIST
 01.1 Page 1082F
 Jul 01/05



2 Crew Control Panel Assembly (P1-3)
Figure 3 (Sheet 3)

31-11-61

ILLUSTRATED PARTS LIST
01.1 Page 1082G
Jul 01/05

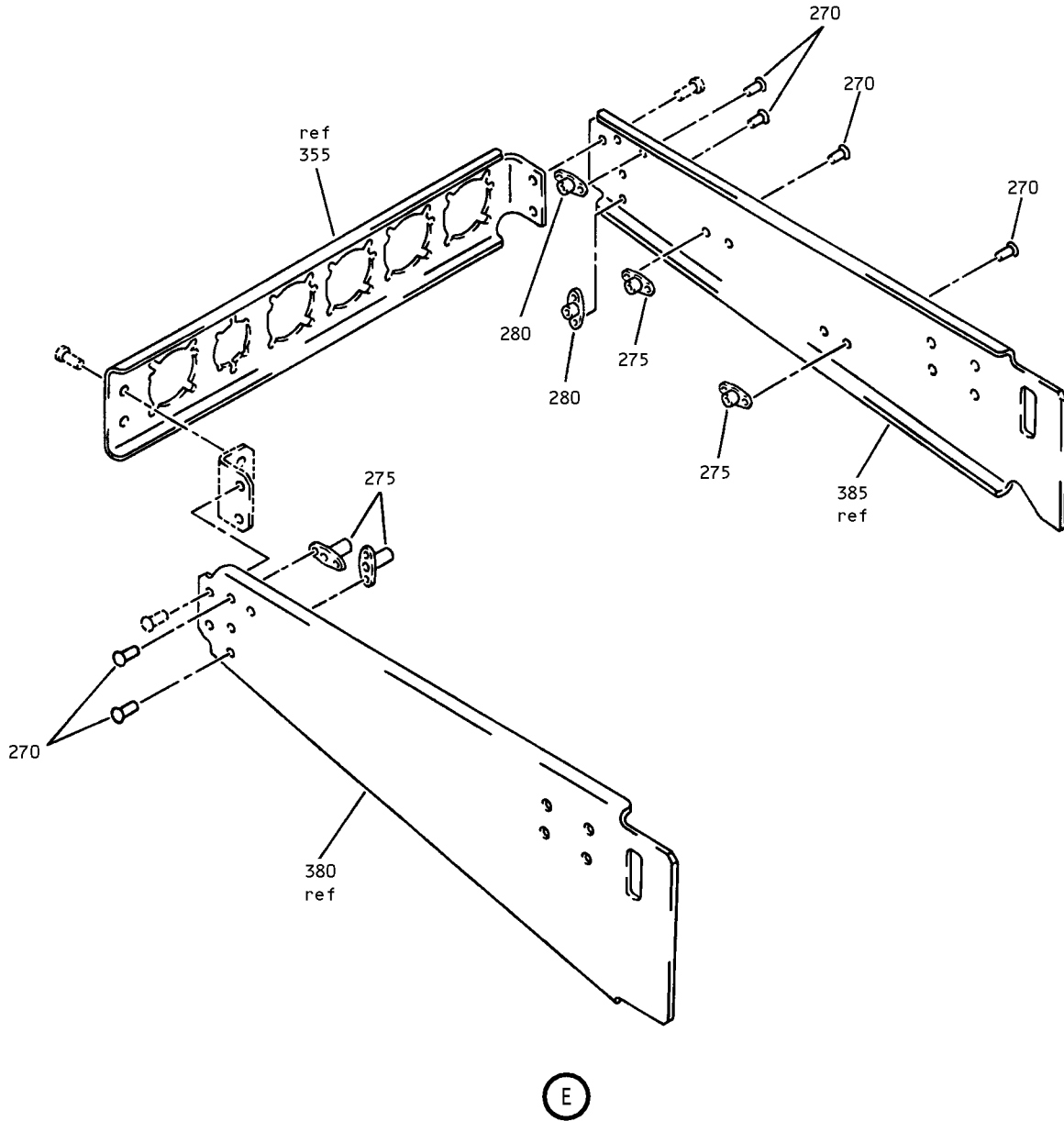


D

2 Crew Control Panel Assembly (P1-3)
 Figure 3 (Sheet 4)

31-11-61

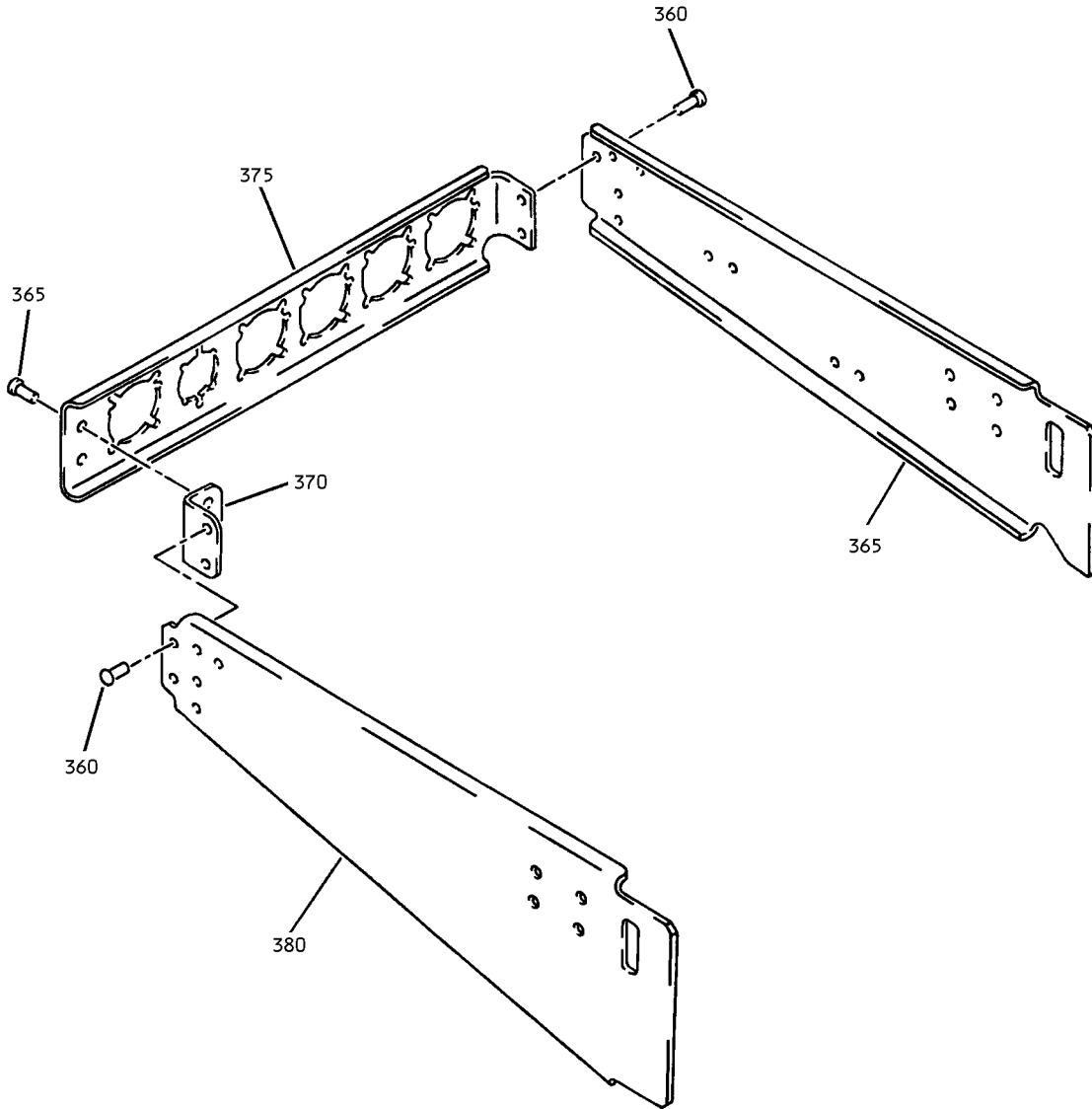
ILLUSTRATED PARTS LIST
 01.1 Page 1082H
 Jul 01/05



2 Crew Control Panel Assembly (P1-3)
Figure 3 (Sheet 5)

31-11-61

ILLUSTRATED PARTS LIST
01.1 Page 1082I
Jul 01/05



F

2 Crew Control Panel Assembly (P1-3)
Figure 3 (Sheet 6)

31-11-61
ILLUSTRATED PARTS LIST
01.1 Page 1082J
Jul 01/05


BOEING
 COMPONENT
 MAINTENANCE MANUAL

FIG. & ITEM	PART NO.	AIRLINE PART NUMBER	NOMENCLATURE 1234567	EFF CODE	QTY PER ASSY
03- -1A	233T2222-93		PANEL ASSY-(PRE-MODULE), (P1-3)	U	RF
5	BACS12ER06K6		.SCREW	U	6
10	BACS12ER06K5		.SCREW	U	3
15	69B46200-21		.STANDOFF	U	3
20	233T6200-214		.BRACKET-SPRT	U	1
25	AC30-0003-3		.SWITCH-AUTOBRAKE (V91812) (S24) (SPEC S283T022-3)	U	1
30	NAS8200A13		.SCREW	U	4
35	NAS42DD4-34		.SPACER	U	4
40	K19798-04		.NUT-CLIP (V15653) (SPEC BACN10NW1) (OPT RMA4812-160-40 (V72962)) (OPT 293162 (V60119))	U	4
45	280T1002-1		.RECEPTACLE ASSY-MASTER DIMMER AND PNL LT SHORTING	U	2
47	CN0942-057PN		..CONNECTOR- (V13556)	U	1
48	280T1020-2		DELETED		
48A	280T1002-2		..BOARD	U	1
50	2PB11H58		.SWITCH-SPDT (V91929) (S10170, S10230)	U	2
55	285T0112-6		.SENSOR ASSY- (STATIC SENSITIVE PART) (TS281) (REF CMM 33-16-51)	U	1
60	123-3215F		.CLAMP- (V28277)	U	1

31-11-61

ILLUSTRATED PARTS LIST

01.1 Page 1082K

Jul 01/05

FIG. & ITEM	PART NO.	AIRLINE PART NUMBER	NOMENCLATURE 1234567	EFF CODE	QTY PER ASSY
03-65	123-4040F		.CLAMP- (V28277)	U	1
70	123RG1840F		.CLAMP- (V28277)	U	1
75	123-3232F		.CLAMP- (V28277)	U	5
80	123-3232HJ		.CLAMP- (V28277)	U	1
85	BCREF12066		.LIGHT ASSY-INDICATOR (V81590) (434-674-1032-2020) (M779) (SPEC S231T301-2105)	U	1
90	BCREF11672		.LIGHT ASSY-INDICATOR (V81590) (434-674-1031-2361) (L890) (SPEC S231T300-2361)	U	1
95	BCREF11671		.LIGHT ASSY-INDICATOR (V81590) (434-674-1031-2359) (L716) (SPEC S231T300-2359)	U	1
100	BCREF8553		.LIGHT ASSY-IND BLANK (V81590) (434-674-1031-2128) (L681) (SPEC S231T300-2128)	U	1
105	BCREF11665		.LIGHT ASSY-IND ALTITUDE ALERT (V81590) (434-674-1031-2344) (L591) (SPEC S231T300-2344)	U	1
110	BCREF11666		.LIGHT ASSY-IND AUTOPILOT (V81590) (434-674-1031-2345) (L19) (SPEC S231T300-2345)	U	1
115	BCREF11667		.LIGHT ASSY-IND FLT MANAGEMENT CMPTR (V81590) (434-674-1031-2346) (L603) (SPEC S231T300-2346)	U	1

31-11-61

 ILLUSTRATED PARTS LIST
 01.1 Page 1082L
 Jul 01/05


BOEING
 COMPONENT
 MAINTENANCE MANUAL

FIG. & ITEM	PART NO.	AIRLINE PART NUMBER	NOMENCLATURE 1234567	EFF CODE	QTY PER ASSY
R 03-120	BCREFA0531		.SWITCH-PUSHBUTTON (V81590) (433-673-1004-4070) (S16) (SPEC S231T290-4070)	U	1
-120A 125	4336731004-4270 BCREF11638		DELETED .LIGHT ASSY-SWITCH (V81590) (434-674-1031-2340) (L585) (SPEC S231T300-2340)	U	1
130	BCREF11644		.LIGHT ASSY-SWITCH (V81590) (434-674-1031-2341) (L586) (SPEC S231T300-2341)	U	1
135	BCREF11647		.LIGHT ASSY-SWITCH (V81590) (434-674-1031-2342) (L587) (SPEC S231T300-2342)	U	1
140	800000121-1		.CONNECTOR-PWR (V05617) (L494, L609, L662)	U	3
145	BCREFA0810		.SWITCH-PUSHBUTTON (V81590) (433-673-1004-4075) (S547) (SPEC S231T290-4075)	U	1

31-11-61

 ILLUSTRATED PARTS LIST
 01.1 Page 1082M
 Jul 01/05

**COMPONENT
MAINTENANCE MANUAL**

FIG. & ITEM	PART NO.	AIRLINE PART NUMBER	NOMENCLATURE 1234567	EFF CODE	QTY PER ASSY
03- -145A 150	4336731004-4275 BCREF11668		DELETED .LIGHT ASSY-IND BRAKE SOURCE (V81590) (434-674-1031-2353) (L605) (SPEC S231T300-2353)	U	1
155	433-100-002		.GUARD-SWITCH (V81590) (SPEC S231T290-821)	U	1
160 160A	S231T290-4119 BCREF13443		DELETED .SWITCH-LIGHTED PUSHBUTTON (V81590) (433-673-1004-4119) (S961) (S231T290-4119)	U	1
165	BCREF11669		.LIGHT ASSY-INDICATOR (V81590) (434-674-1031-2354) (L474) (SPEC S231T300-2354)	U	1
170	BCREF11670		.LIGHT ASSY-INDICATOR (V81590) (434-674-1031-2355) (L475) (SPEC S231T300-2355)	U	1
175	BCREF11648		.LIGHT ASSY-IND AUTOBRAKES (V81590) (434-674-1031-2339) (L119) (SPEC S231T300-2339)	U	1

31-11-61

ILLUSTRATED PARTS LIST
01.1 Page 1082N
Jul 01/05


BOEING
 COMPONENT
 MAINTENANCE MANUAL

FIG. & ITEM	PART NO.	AIRLINE PART NUMBER	NOMENCLATURE 1234567	EFF CODE	QTY PER ASSY
03-					
180	233T2224-57		.PANEL ASSY-FWD	U	1
185	BACS21Y36RB		..STUD ASSY	U	2
190	BACS21Y35RB		..STUD ASSY	U	2
195	2600SW2		..WASHER- (V71286) (SPEC BACW10X2S) (OPT 1127723 (V60119))	U	4
200	SF12G6CBB5D		..NUT-PRESS (V12324)	U	6
205	BACR15BA6AD		..RIVET- (SIZE DETERMINE ON INST)	U	3
210	BACS12ER3K16		..SCREW	U	2
215	012002-103		..SPACER- (V28277)	U	1
220	233T2218-9		..FOOTREST ASSY	U	1
225	MS21209F1-30		...INSERT	U	2
230	233T2221-3		...SURFACING ANTI SLIP-ANTI	U	1
235	233T2218-11		...FOOTREST	U	1
240	NAS8203A5		..SCREW	U	2
245	NAS8203A8		..SCREW	U	2
250	233T2219-8		..TUBE-WIRING SUPPORT	U	1
255	BACS12ER08K10		..SCREW	U	8
260	NAS1149CN816R		..WASHER	U	8
265	H52732-08CD		..NUT- (V15653) (SPEC BACN10YR08CD) (OPT PLH508CD (V62554))	U	8
270	BACR15BA3AD		..RIVET- (SIZE DETERMINE ON INST)	U	12
275	WSI4-3		..NUTPLATE- (V04169) (SPEC BACN10TL3-3)	U	4
280	WSI4-6		..NUTPLATE- (V04169) (SPEC BACN10TL3-6)	U	2
285	NAS8203A8		..SCREW	U	2
290	BACR15BA3AD		..RIVET- (SIZE DETERMINE ON INST)	U	4

31-11-61

ILLUSTRATED PARTS LIST

01.1 Page 10820

Jul 01/05

**COMPONENT
MAINTENANCE MANUAL**

FIG. & ITEM	PART NO.	AIRLINE PART NUMBER	NOMENCLATURE 1234567	EFF CODE	QTY PER ASSY
03- 295	WSI4-10		..NUTPLATE-SPACER (V04169) (SPEC BACN10TL3-10)	U	2
300	233T2219-12		..TUBE-WIRING SUPPORT	U	1
305	120492BL		..SLIDE- (V05236)	U	1
310	120492BR		..SLIDE- (V05236)	U	1
315	BACR15BA3AD		..RIVET- (SIZE DETERMINE ON INST)	U	6
320	012002-101		..SPACER- (V28277)	U	3
325	233T2229-19		..SPACER	U	1
330	BACS12ER3K12		..SCREW	U	1
335	NAS1149D0363J		..WASHER	U	1
340	MS35650-305T		..NUT	U	1
345	H52732-3CD		..NUT- (V15653) (SPEC BACN10YR3CD) (OPT PLH53CD (V62554))	U	1
350	233T2224-58		..BASEPLATE ASSY	U	1
355	233T2228-7		...BRACKET ASSY	U	1
360	BACR15CE5AD	RIVET- (SIZE DETERMINE ON INST)	U	4
365	BACR15FT5AD	RIVET- (SIZE DETERMINE ON INST)	U	2
370	233N2213-22	ANGLE	U	1
375	233T2229-10	BRACKET	U	1
380	233T2229-13	BRACKET	U	1
385	233T2229-14	BRACKET	U	1
390	233T2224-59		...BASEPLATE	U	1

31-11-61

ILLUSTRATED PARTS LIST

01.1 Page 1082P

Jul 01/05


BOEING
 COMPONENT
 MAINTENANCE MANUAL

FIG. & ITEM	PART NO.	AIRLINE PART NUMBER	NOMENCLATURE 1234567	EFF CODE	QTY PER ASSY
03- 395	BAC27TFDE0439		.DECAL-CAUTION ELECTROSTATI SENSITIVE DEVICE. CONDUCTIVE CONNECTOR DUST COVER REQUIRED	U	2

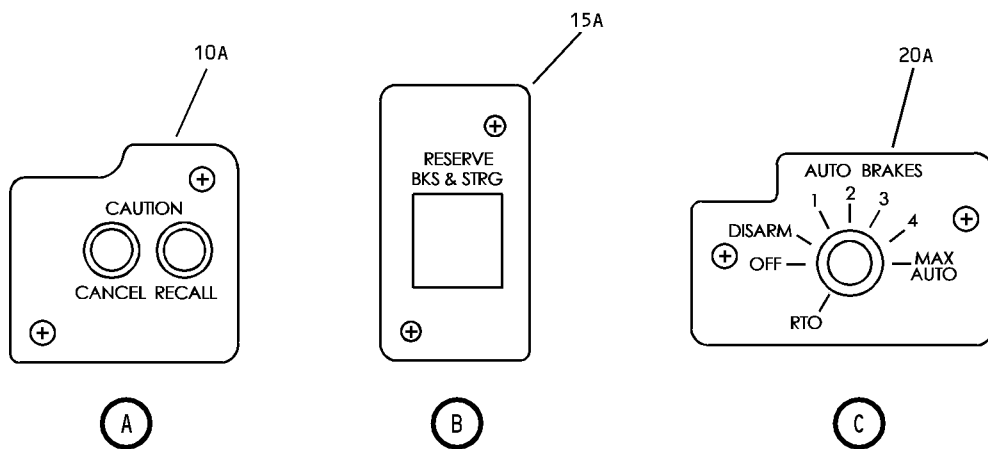
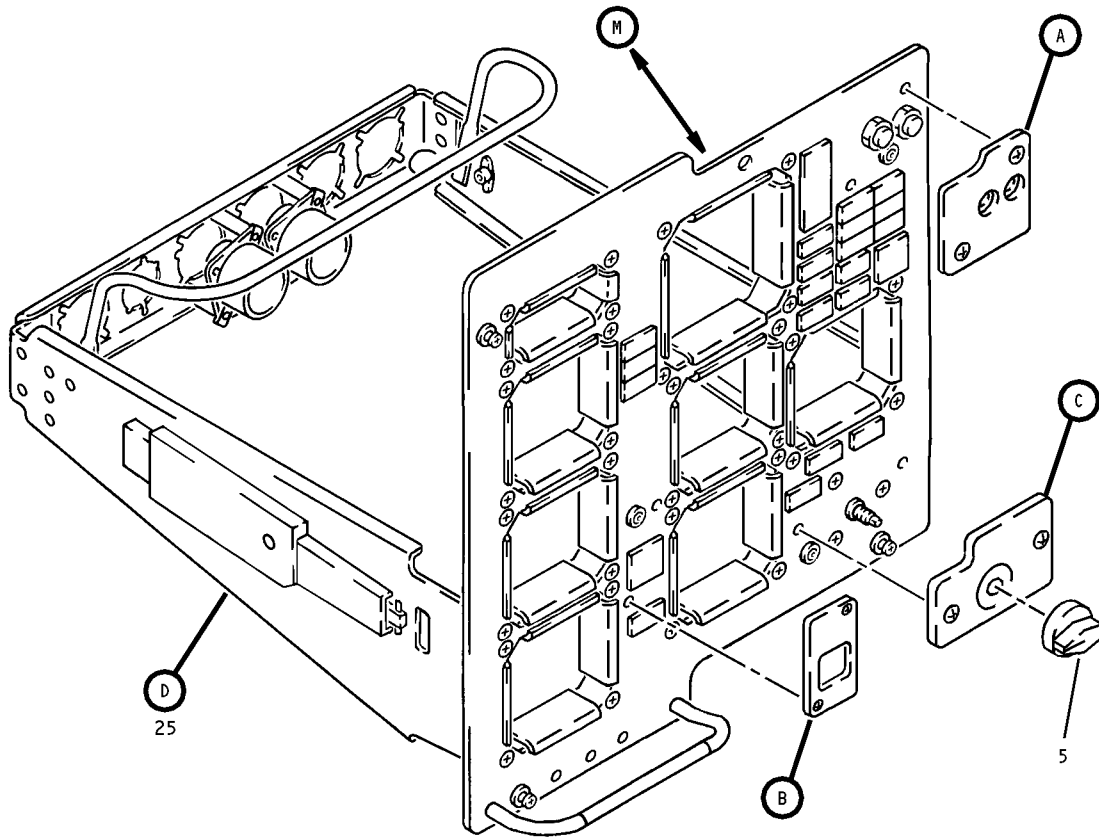
- Item Not Illustrated

31-11-61

ILLUSTRATED PARTS LIST

01.1 Page 1082Q

Jul 01/05

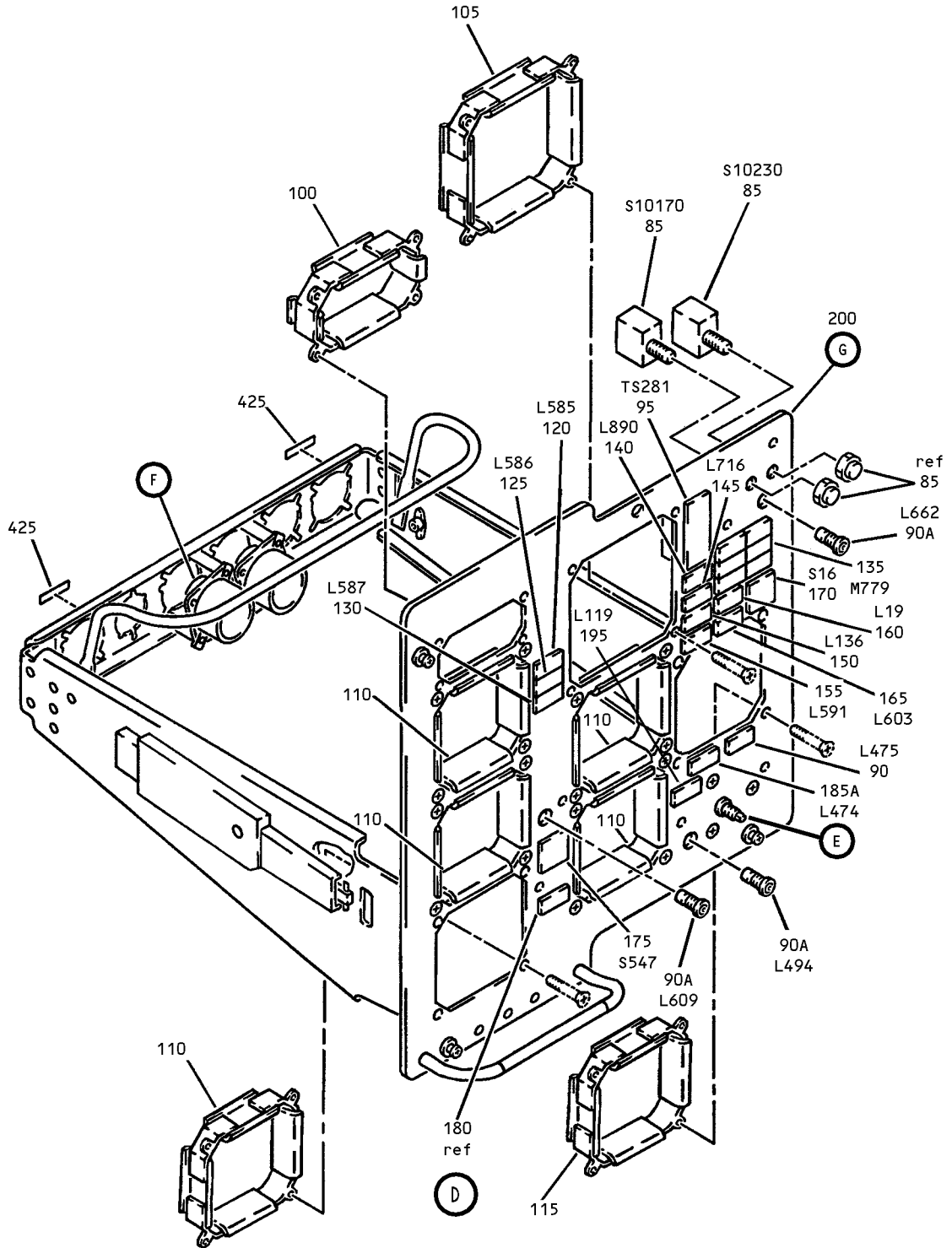


2 Crew Control Panel Assembly (P1-3)
 Figure 4 (Sheet 1)

31-11-61

ILLUSTRATED PARTS LIST
 01.1 Page 1082R
 Jul 01/05

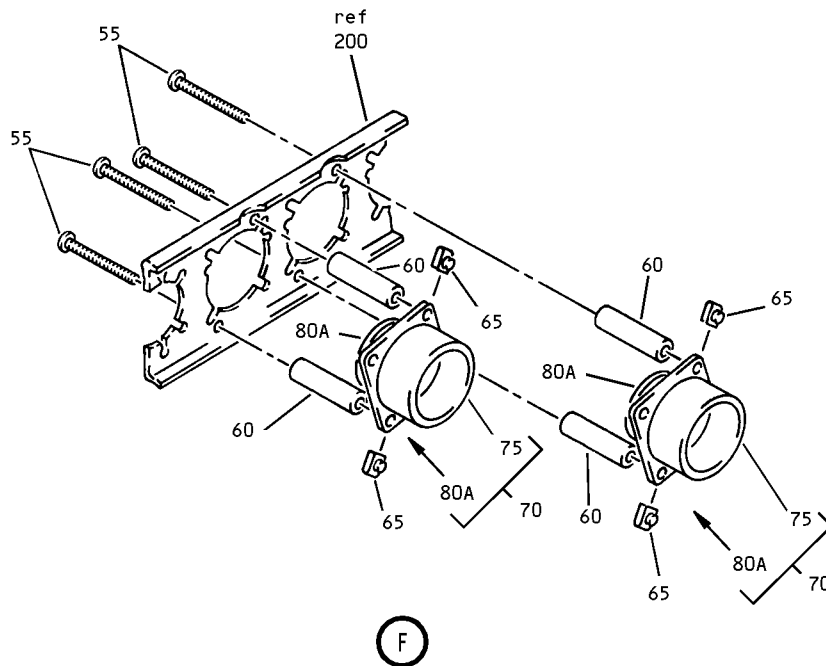
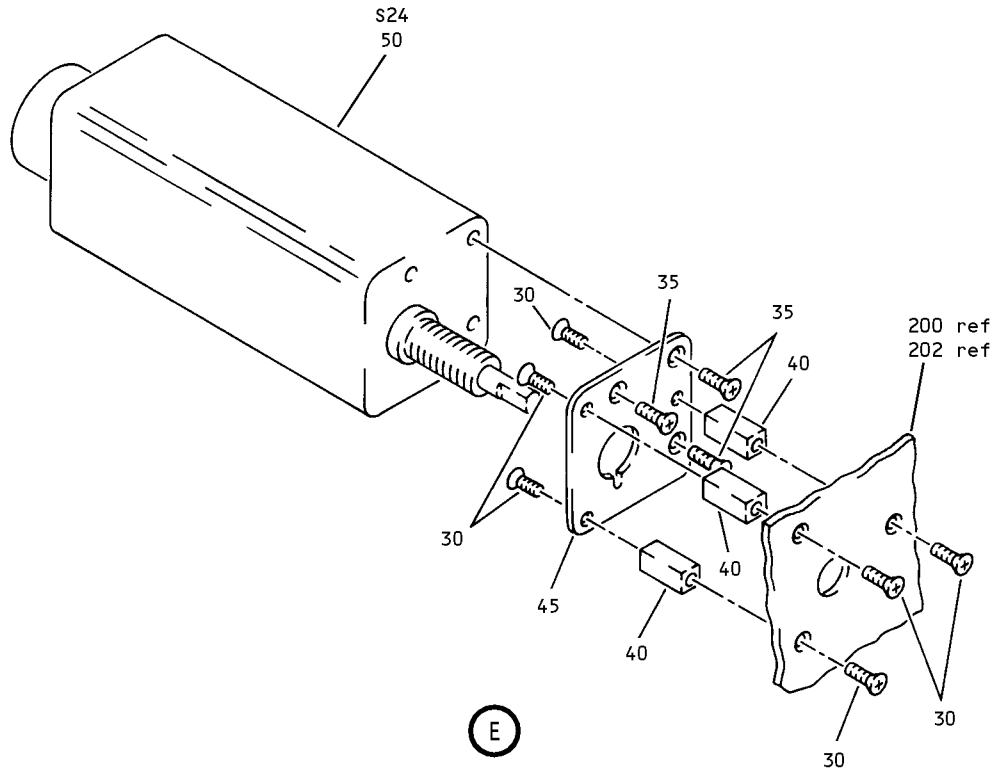
BOEING
COMPONENT
MAINTENANCE MANUAL



2 Crew Control Panel Assembly (P1-3)
Figure 4 (Sheet 2)

31-11-61

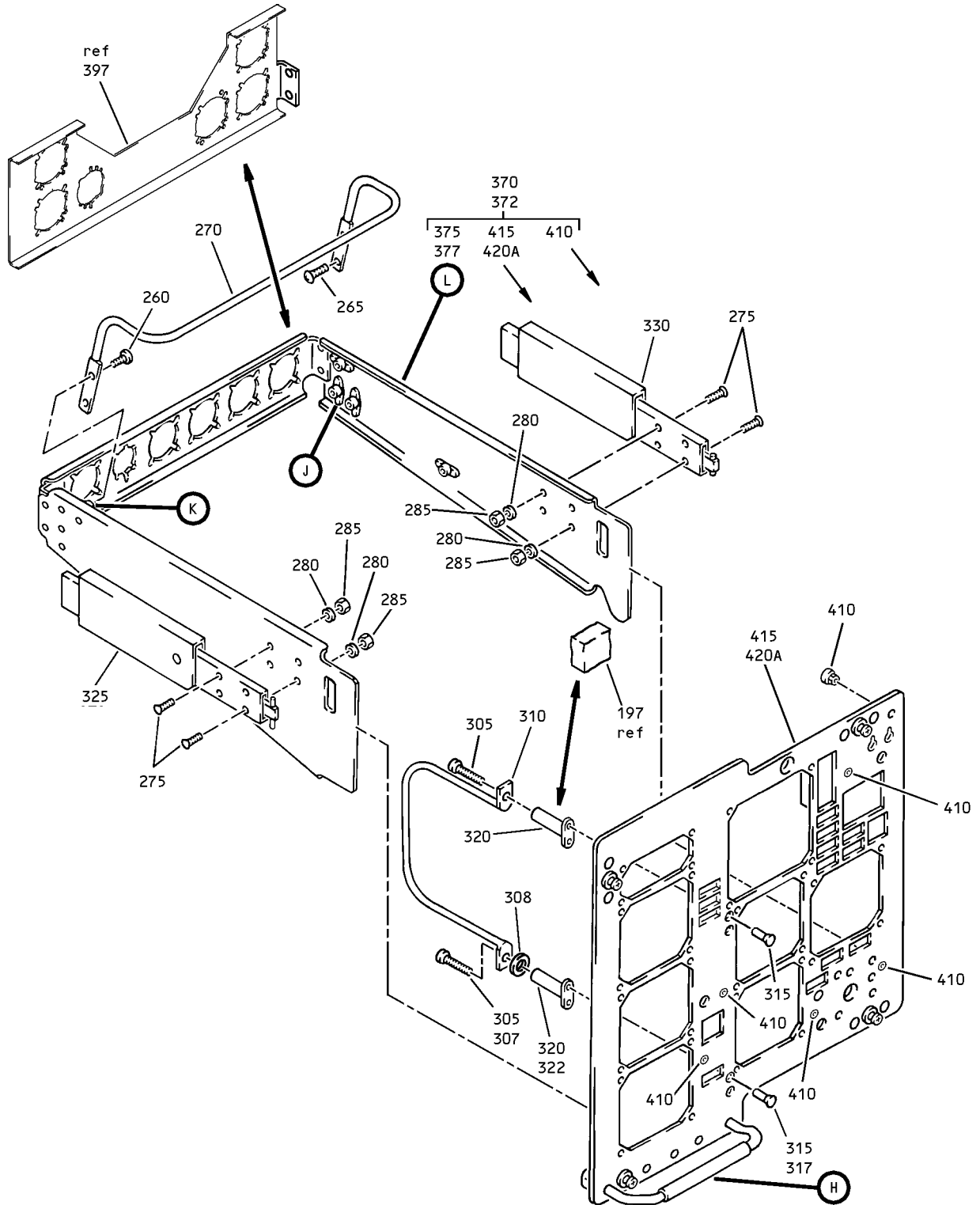
ILLUSTRATED PARTS LIST
01.1 Page 1082S
Jul 01/05



2 Crew Control Panel Assembly (P1-3)
 Figure 4 (Sheet 3)

31-11-61

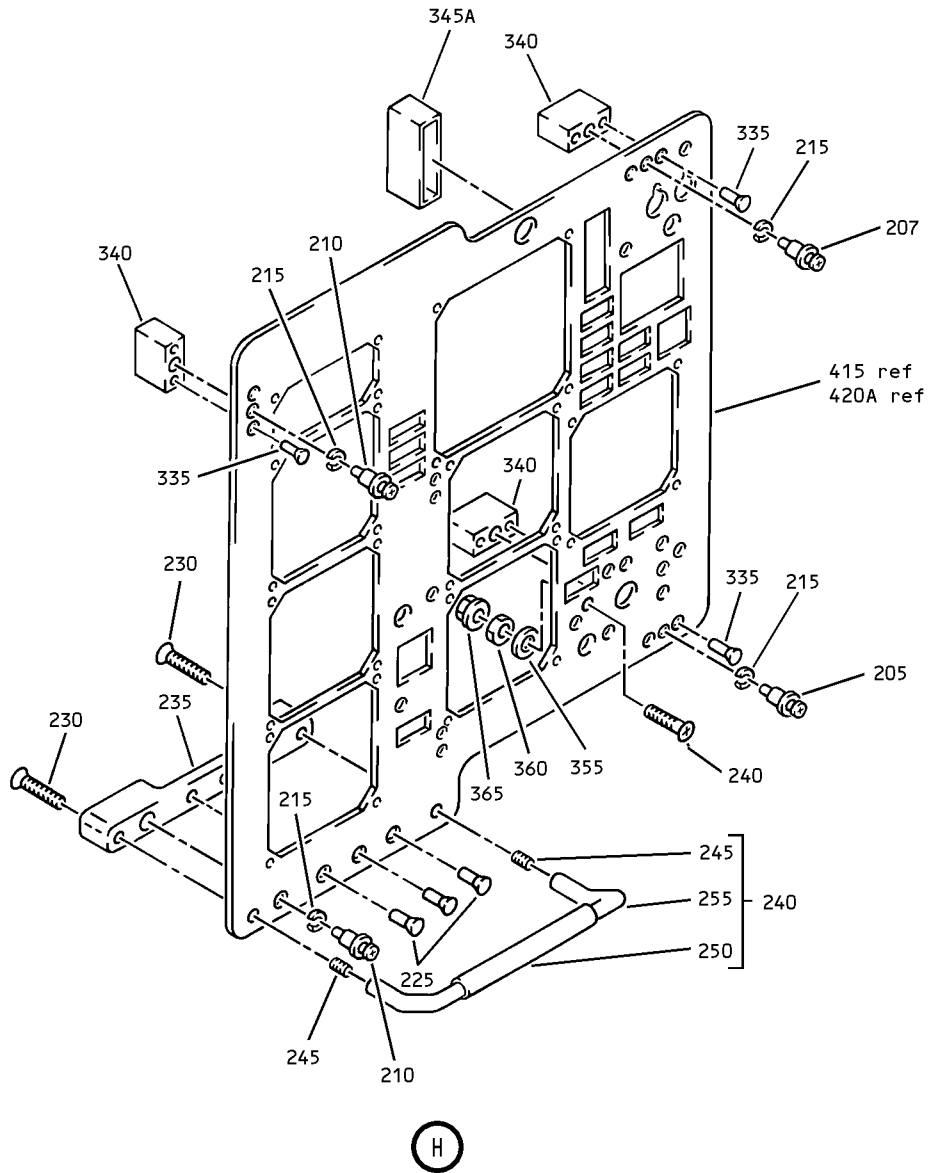
ILLUSTRATED PARTS LIST
 01.1 Page 1082T
 Jul 01/05



2 Crew Control Panel Assembly (P1-3)
Figure 4 (Sheet 4)

31-11-61

ILLUSTRATED PARTS LIST
01.1 Page 1082U
Jul 01/05

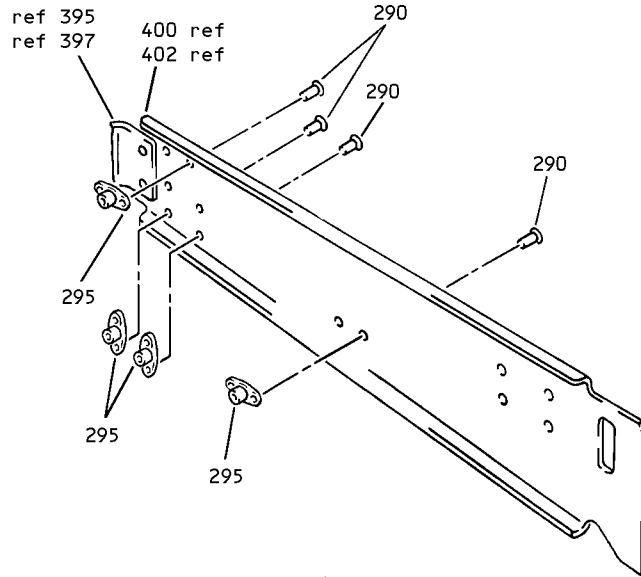


2 Crew Control Panel Assembly (P1-3)
 Figure 4 (Sheet 5)

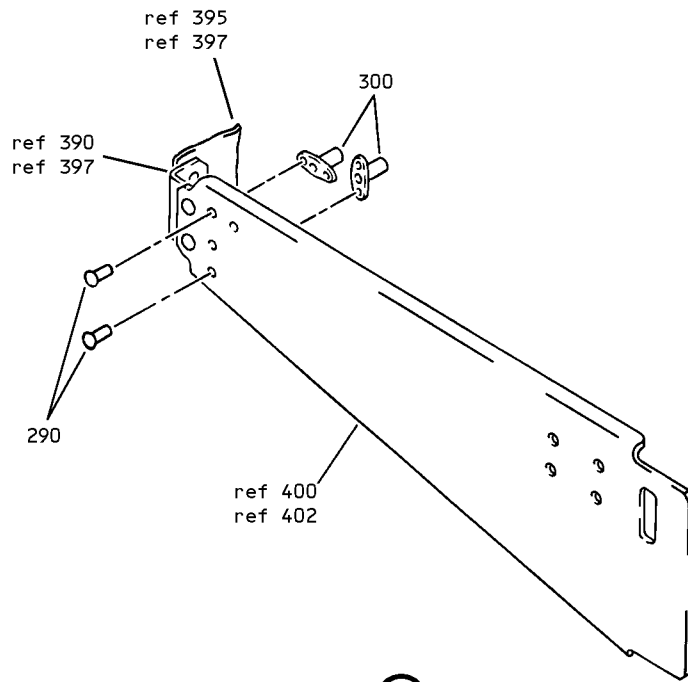
31-11-61

ILLUSTRATED PARTS LIST
 01.1 Page 1082V
 Jul 01/05

BOEING
COMPONENT
MAINTENANCE MANUAL



(J)

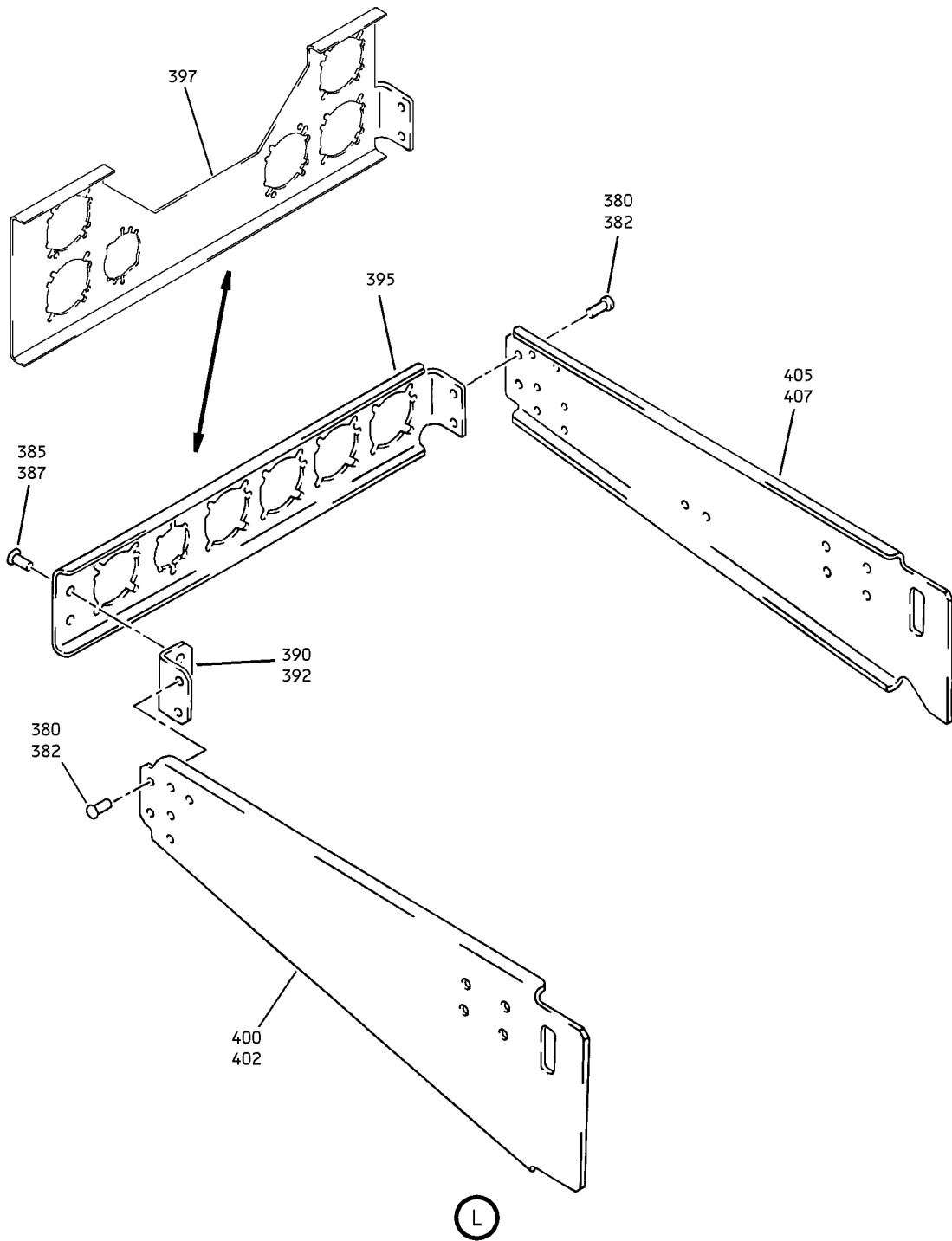


(K)

2 Crew Control Panel Assembly (P1-3)
Figure 4 (Sheet 6)

31-11-61

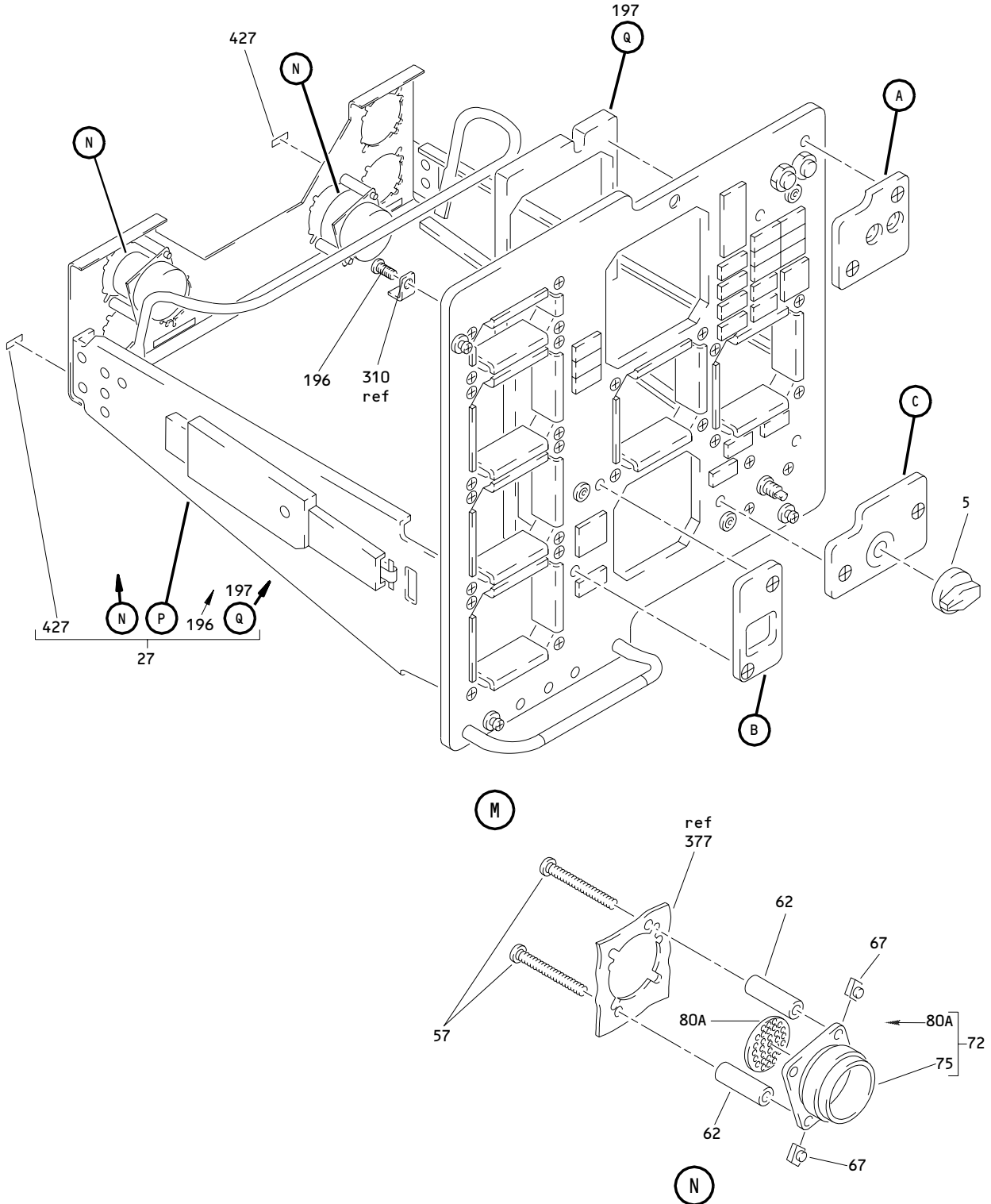
ILLUSTRATED PARTS LIST
01.1 Page 1082W
Jul 01/05



2 Crew Control Panel Assembly (P1-3)
Figure 4 (Sheet 7)

31-11-61

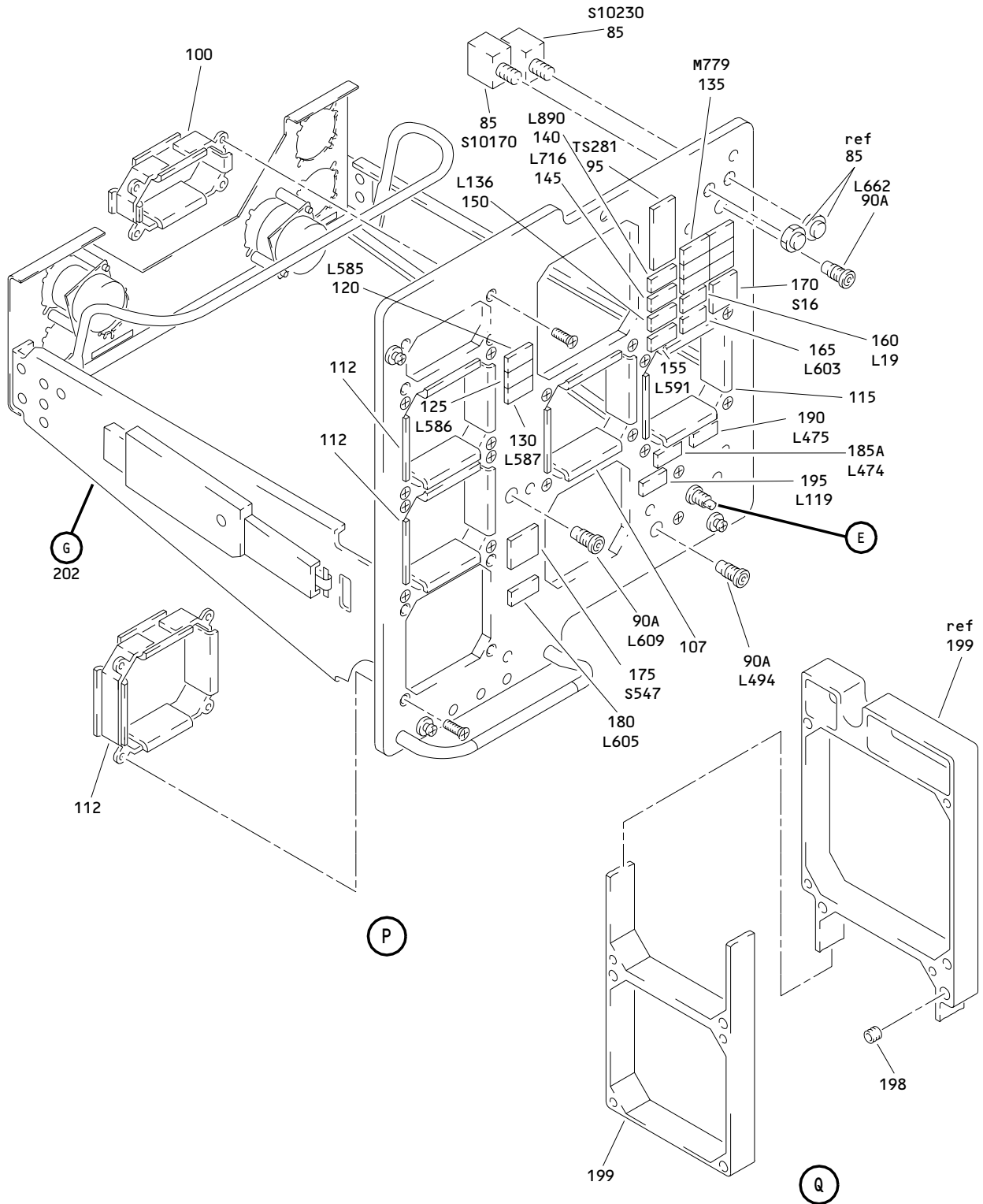
ILLUSTRATED PARTS LIST
01.1 Page 1082X
Jul 01/05



2 Crew Control Panel Assembly (P1-3)
 Figure 4 (Sheet 8)

31-11-61

ILLUSTRATED PARTS LIST
 01.1 Page 1082Y
 Jul 01/05



2 Crew Control Panel Assembly (P1-3)
 Figure 4 (Sheet 9)

31-11-61

ILLUSTRATED PARTS LIST
 01.1 Page 10822
 Jul 01/05


BOEING
 COMPONENT
 MAINTENANCE MANUAL

FIG. & ITEM	PART NO.	AIRLINE PART NUMBER	NOMENCLATURE 1234567	EFF CODE	QTY PER ASSY
04-					
-1A	233T2222-301		PANEL ASSY-(P1-3), 2 CREW	W	RF
-1B	233T2222-303		PANEL ASSY-(P1-3), 2 CREW	Y	RF
-1C	233T2222-305		PANEL ASSY-(P1-3), 2 CREW	AA	RF
-1D	233T2222-306		PANEL ASSY-(P1-3), 2 CREW	AB	RF
-1E	233T2222-311		PANEL ASSY-(P1-3), 2 CREW	AG	RF
-1F	233T2222-313		PANEL ASSY-(P1-3), 2 CREW	Z	RF
-1G	233T2222-321		PANEL ASSY-(P1-3), 2 CREW	AK	RF
5	BP248-127		.KNOB- (V15084)	W,Y-A B,AG, AK	1
10	S233T100-022		DELETED		
10A	800-002576		.LIGHTPLATE- (V05617) (SPEC S233T100-022) (OPT S233T100-022 (V51896))	W,Y-A B,AG, AK	1
15	S233T100-023		DELETED		
15A	800-001038		.LIGHTPLATE- (V05617) (SPEC S233T100-023) (OPT S233T100-023 (V51896))	W,Y-A B,AG, AK	1
20	S233T100-5014		DELETED		
20A	800-002557		.LIGHTPLATE- (V05617) (SPEC S233T100-5014) (OPT S233T100-5014 (V51896))	W,Y-A B,AG, AK	1
25	233T2222-97		.PANEL ASSY	W,Y-A B,AG	1
27	233T2222-103		.PANEL ASSY	AK	1
30	BACS12ER06K6		..SCREW	W,Y-A B,AG, AK	6

31-11-61

ILLUSTRATED PARTS LIST

01.1

Page 1083

Jul 01/05

FIG. & ITEM	PART NO.	AIRLINE PART NUMBER	NOMENCLATURE 1234567	EFF CODE	QTY PER ASSY
04-35	BACS12ER06K5		..SCREW	W,Y-A B,AG, AK	3
40	69B46200-21		..STANDOFF	W,Y-A B,AG, AK	3
45	233T6200-214		..BRACKET-SPRT	W,Y-A B,AG, AK	1
50	AC30-0003-3		..SWITCH-AUTOBRAKE (V91812) (S24) (SPEC S283T022-3)	W,Y-A B,AG, AK	1
55	NAS8200A14		..SCREW	W,Y-A B,AG	4
57	BACS12HJ04K14		..SCREW	AK	4
60	NAS42DD4-34		..SPACER	W,Y-A B,AG	4
62	NAS42DD4-34FC		..SPACER- (OPT ITEM 062A)	AK	4
-62A	NAS42DD4-34		..SPACER- (OPT ITEM 062)	AK	4
65	K19798-04		..NUT-CLIP (V15653) (SPEC BACN10NW1) (OPT RMA4812-160-40 (V72962)) (OPT 293162 (V60119))	W,Y-A B,AG	4

31-11-61

 ILLUSTRATED PARTS LIST
 01.1 Page 1084
 Jul 01/05


BOEING
 COMPONENT
 MAINTENANCE MANUAL

FIG. & ITEM	PART NO.	AIRLINE PART NUMBER	NOMENCLATURE 1234567	EFF CODE	QTY PER ASSY
04-67	K19798-04		..NUT-CLIP (V15653) (SPEC BACN10NW1) (OPT RMA4812-160-40 (V72962)) (OPT 293162 (V60119))	AK	4
70	280T1002-1		..RECEPTACLE ASSY-MASTER DIMMER AND PNL LT SHORTING	W,Y-A B,AG	2
72	280T1002-1		..RECEPTACLE ASSY-MASTER DIMMER AND PNL LT SHORTING	AK	2
75	CN0942-057PN		...CONNECTOR- (V13556)	W,Y-A B,AG, AK	1
80	280T1020-2		DELETED		
80A	280T1002-2		...BOARD	W,Y-A B,AG, AK	1
85	2PB11H58		..SWITCH-SPDT (V91929) (S10170, S10230)	W,Y-A B,AG, AK	2
90	800000121-1		DELETED		
90A	800-000121-1		..CONNECTOR-PWR (V05617) (L494, L609, L662)	W,Y-A B,AG	3
R -90B	800-000121-1		..CONNECTOR-PWR (V05617) (L494, L609, L662) (OPT ITEM 90C)	AK	3
R -90C	K4931		..CONNECTOR-PWR (V91836) (L494, L609, L662) (OPT ITEM 90B)	AK	3
95	285T0112-6		..SENSOR ASSY- (STATIC SENSITIVE PART) (TS281) (REF CMM 33-16-51)	W,Y-A B,AG, AK	1
100	123-3215F		..CLAMP- (V28277)	W,Y-A B,AG, AK	1

31-11-61

ILLUSTRATED PARTS LIST

01.1 Page 1084A

Jul 01/05

FIG. & ITEM	PART NO.	AIRLINE PART NUMBER	NOMENCLATURE 1234567	EFF CODE	QTY PER ASSY
04-105	123-4040F		..CLAMP- (V28277)	W,Y-A B,AG	1
107	123-3232G		..CLAMP- (V28277)	AK	1
110	123-3232F		..CLAMP- (V28277)	W,Y-A B,AG	5
112	123-3232F		..CLAMP- (V28277)	AK	3
115	123-3232HJ		..CLAMP- (V28277)	W,Y-A B,AG, AK	1
120	BCREF11638		..LIGHT ASSY-SWITCH (V81590) (434-674-1031-2340) (L585) (SPEC S231T300-2340)	W,Y-A B,AG, AK	1
125	BCREF11644		..LIGHT ASSY-SWITCH (V81590) (434-674-1031-2341) (L586) (SPEC S231T300-2341)	W,Y-A B,AG, AK	1
130	BCREF11647		..LIGHT ASSY-SWITCH (V81590) (434-674-1031-2342) (L587) (SPEC S231T300-2342)	W,Y-A B,AG, AK	1
135	BCREF12066		..LIGHT ASSY-INDICATOR (V81590) (434-674-1032-2020) (M779) (SPEC S231T301-2105)	W,Y-A B,AG, AK	1

31-11-61

 ILLUSTRATED PARTS LIST
 01.1 Page 1084B
 Jul 01/05


BOEING
 COMPONENT
 MAINTENANCE MANUAL

FIG. & ITEM	PART NO.	AIRLINE PART NUMBER	NOMENCLATURE 1234567	EFF CODE	QTY PER ASSY
04-140	BCREF11672		..LIGHT ASSY-INDICATOR (V81590) (434-674-1031-2361) (L890) (SPEC S231T300-2361)	W,Y-A B,AG, AK	1
145	BCREF11671		..LIGHT ASSY-INDICATOR (V81590) (434-674-1031-2359) (L716) (SPEC S231T300-2359)	W,Y-A B,AG, AK	1
150	BCREF11649		..LIGHT ASSY-IND ALTITUDE ALERT (V81590) (434-674-1031-2343) (L136) (SPEC S231T300-2343)	W,Y-A B,AG, AK	1
155	BCREF11665		..LIGHT ASSY-IND ALTITUDE ALERT (V81590) (434-674-1031-2344) (L591) (SPEC S231T300-2344)	W,Y-A B,AG, AK	1
160	BCREF11666		..LIGHT ASSY-IND AUTOPILOT (V81590) (434-674-1031-2345) (L19) (SPEC S231T300-2345)	W,Y-A B,AG, AK	1
165	BCREF11667		..LIGHT ASSY-IND FLT MANAGEMENT CMPTR (V81590) (434-674-1031-2346) (L603) (SPEC S231T300-2346)	W,Y-A B,AG, AK	1

31-11-61

 ILLUSTRATED PARTS LIST
 01.1 Page 1084C
 Jul 01/05

**COMPONENT
MAINTENANCE MANUAL**

FIG. & ITEM	PART NO.	AIRLINE PART NUMBER	NOMENCLATURE 1234567	EFF CODE	QTY PER ASSY
04-170	BCREFA0531		..SWITCH-PUSHBUTTON (V81590) (USE WITH CONFIGURATION "D" MASTER MODULE. SEE REPAIR FOR ADDITIONAL INFORMATION) (433-673-1004-4070) (S16) (SPEC S231T290-4070)	W,Y-A B,AG, AK	1
-170A	BCREF151919		DELETED		
-170B	BCREFA0531		DELETED		
-170C	4336731004-4270		..SWITCH-PUSHBUTTON (WHEN REPLACING THE PUSHBUTTON SWITCH ASSY OR THE MASTER MODULE WITHIN, VERIFY THAT A CONFIG D MASTER MODULE P/N 13203-001 IS INSTALLED IN LIEU OF ANY EARLIER CONFIGURATION MASTER MODULES.) (V81590) (S16) (SPEC S231T290-4270)	W,Y-A B,AG, AK	1
R 175	BCREFA0810		..SWITCH-PUSHBUTTON (V81590) (USE WITH CONFIGURATION "D" MASTER MODULE. SEE REPAIR FOR ADDITIONAL INFORMATION) (433-673-1004-4075) (S547) (SPEC S231T290-4075)	W,Y-A B,AG, AK	1
-175A	BCREFA0810		DELETED		

31-11-61

ILLUSTRATED PARTS LIST
01.1 Page 1084D
Jul 01/05


BOEING
 COMPONENT
 MAINTENANCE MANUAL

FIG. & ITEM	PART NO.	AIRLINE PART NUMBER	NOMENCLATURE 1234567	EFF CODE	QTY PER ASSY
04- -175B	4336731004-4275		..SWITCH-PUSHBUTTON (WHEN REPLACING THE PUSHBUTTON SWITCH ASSY OR THE MASTER MODULE WITHIN, VERIFY THAT A CONFIG D MASTER MODULE P/N 13203-001 IS INSTALLED IN LIEU OF ANY EARLIER CONFIGURATION MASTER MODULES.) (V81590) (S547) (SPEC S231T290-4275)	W,Y-A B,AG, AK	1
-175C 180	4336731004-4275 BCREF11668		DELETED ..LIGHT ASSY-IND BRAKE SOURCE (V81590) (434-674-1031-2353) (L605) (SPEC S231T300-2353)	W,Y-A B,AG, AK	1
185 185A	BCREF13443 BCREF11669		DELETED ..LIGHT ASSY-LIGHTED PUSHBUTTON (V81590) (433-674-1031-2354) (L474) (S231T300-2354)	W,Y-A B,AG, AK	1
190	BCREF11670		..LIGHT ASSY-INDICATOR (V81590) (434-674-1031-2355) (L475) (SPEC S231T300-2355)	W,Y-A B,AG, AK	1
195	BCREF11648		..LIGHT ASSY-IND AUTOBRAKES (V81590) (434-674-1031-2339) (L119) (SPEC S231T300-2339)	W,Y-A B,AG, AK	1
196	BACS12HJ3K8		..SCREW	AK	1
197	233T2311-4		..STIFFENER ASSY	AK	1
198	BACI12AEF1-20P		...INSERT	AK	1
199	233T3211-3		...PANEL	AK	1
200	233T2224-64		..PANEL ASSY-FWD	W,Y-A B,AG	1

31-11-61

 ILLUSTRATED PARTS LIST
 01.1 Page 1084E
 Jul 01/05

FIG. & ITEM	PART NO.	AIRLINE PART NUMBER	NOMENCLATURE 1234567	EFF CODE	QTY PER ASSY
04-					
202	233T2224-82		..PANEL ASSY-FWD	AK	1
205	BACS21EE36RB		...STUD ASSY	W,Y-A B,AG, AK	1
207	BACS21EE37RB		...STUD ASSY	W,Y-A B,AG, AK	1
210	BACS21EE35RB		...STUD ASSY	W,Y-A B,AG, AK	2
215	2600SW2		...WASHER- (V71286) (SPEC BACW10X2S) (OPT 1127723 (V60119))	W,Y-A B,AG, AK	4
220	SF12G6CBB5D		DELETED		
225	BACR15BA6AD		...RIVET- (SIZE DETERMINE ON INST)	W,Y-A B,AG, AK	3
230	BACS12ER3K16		...SCREW	W,Y-A B,AG, AK	2
235	012002-103		...SPACER- (V28277)	W,Y-A B,AG, AK	1
240	233T2218-9		...FOOTREST ASSY	W,Y-A B,AK	1
245	MS21209F1-30	INSERT	W,Y-A B,AG, AK	2
250	233T2221-3	SURFACING-ANTI-SLIP	W,Y-A B,AG, AK	1

31-11-61

 ILLUSTRATED PARTS LIST
 01.1 Page 1084F
 Jul 01/05


BOEING
 COMPONENT
 MAINTENANCE MANUAL

FIG. & ITEM	PART NO.	AIRLINE PART NUMBER	NOMENCLATURE 1234567	EFF CODE	QTY PER ASSY
04- 255	233T2218-11	FOOTREST	W,Y-A B,AG, AK	1
260	NAS8203A5		...SCREW	W,Y-A B,AG	2
-260A	BACS12HJ3K5		...SCREW	AK	2
265	NAS8203A8		...SCREW	W,Y-A B,AG	2
-265A	BACS12HJ3K8		...SCREW	AK	2
270	233T2219-13		...TUBE-WIRING SUPPORT	W,Y-A B,AG, AK	1
275	BACS12ER08K10		...SCREW	W,Y-A B,AG, AK	8
280	NAS1149CN816R		...WASHER	W,Y-A B,AG, AK	8
285	H52732-08CD		...NUT- (V15653) (SPEC BACN10YR08CD) (OPT PLH508CD (V62554))	W,Y-A B,AG, AK	8
290	BACR15BA3AD		...RIVET- (SIZE DETERMINE ON INST)	W,Y-A B,AG, AK	12
295	WSI4-3		...NUTPLATE- (V04169) (SPEC BACN10TL3-3)	W,Y-A B,AG, AK	4

31-11-61

ILLUSTRATED PARTS LIST

01.1 Page 1084G

Jul 01/05

FIG. & ITEM	PART NO.	AIRLINE PART NUMBER	NOMENCLATURE 1234567	EFF CODE	QTY PER ASSY
04-300	WSI4-6		...NUTPLATE- (V04169) (SPEC BACN10TL3-6)	W,Y-A B,AG, AK	2
305	NAS8203A8		...SCREW	W,Y-A B,AG	2
307	BACS12HJ3K8		...SCREW	AK	1
308	NAS1149D0332J		...WASHER	AK	1
310	233T2219-4		...TUBE-WIRING SUPPORT	W,Y-A B,AG, AK	1
315	BACR15BA3AD		...RIVET- (SIZE DETERMINE ON INST)	W,Y-A B,AG	4
317	BACR15BA3AD		...RIVET- (SIZE DETERMINE ON INST)	AK	2
320	WSI4-10		...NUTPLATE-SPACER (V04169) (SPEC BACN10TL3-10)	W,Y-A B,AG	2
322	WSI4-8		...NUTPLATE-SPACER (V04169) (SPEC BACN10TL3-8)	AK	1
325	120492BL		...SLIDE- (V05236)	W,Y-A B,AG, AK	1
330	120492BR		...SLIDE- (V05236)	W,Y-A B,AG, AK	1
335	BACR15BA3AD		...RIVET- (SIZE DETERMINE ON INST)	W,Y-A B,AG, AK	6
340	012002-101		...SPACER- (V28277)	W,Y-A B,AG, AK	3
345	012002-101		DELETED		
345A	233T2229-19		...SPACER	W,Y-A B,AG, AK	1

31-11-61

 ILLUSTRATED PARTS LIST
 01.1 Page 1084H
 Jul 01/05


BOEING
 COMPONENT
 MAINTENANCE MANUAL

FIG. & ITEM	PART NO.	AIRLINE PART NUMBER	NOMENCLATURE 1234567	EFF CODE	QTY PER ASSY
04-350	BACS12ER3K12		...SCREW	W,Y-A B,AG, AK	1
355	NAS1149D0363H		...WASHER	W,Y-A B,AG, AK	1
360	MS35650-305T		...NUT	W,Y-A B,AG, AK	1
365	H52732-3CD		...NUT- (V15653) (SPEC BACN10YR3CD) (OPT PLH53CD (V62554))	W,Y-A B,AG, AK	1
370	233T2224-65		...BASEPLATE ASSY	W,Y-A B,AG	1
372	233T2224-83		...BASEPLATE ASSY	AK	1
375	233T2228-11	BRACKET ASSY	W,Y-A B,AG	1
377	233T2228-13	BRACKET ASSY	AK	1
380	BACR15CE5AD	RIVET- (SIZE DETERMINE ON INST)	W,Y-A B,AG	4
382	BACR15CE5AD	RIVET- (SIZE DETERMINE ON INST)	AK	4
385	BACR15FT5AD	RIVET- (SIZE DETERMINE ON INST)	W,Y-A B,AG	2
387	BACR15BB5AD	RIVET- (SIZE DETERMINE ON INST)	AK	2
390	233N2213-22	ANGLE	W,Y-A B,AG	1
392	233T2229-27	BRACKET	AK	1
395	233T2229-10	BRACKET	W,Y-A B,AG	1
397	233T2229-24	BRACKET	AK	1
400	233T2229-21	BRACKET	W,Y-A B,AG	1
402	233T2229-25	BRACKET	AK	1
405	233T2229-22	BRACKET	W,Y-A B,AG	1
407	233T2229-26	BRACKET	AK	1
410	SF12G6CBB5D	NUT-PRESS (V12324)	W,Y-A B,AG, AK	6
415	233T2224-76	BASEPLATE ASSY	W,Y-A B,AG	1

31-11-61

ILLUSTRATED PARTS LIST

01.1 Page 1084I

Jul 01/05

FIG. & ITEM	PART NO.	AIRLINE PART NUMBER	NOMENCLATURE 1234567	EFF CODE	QTY PER ASSY
04-					
-415A	233T2224-84	BASEPLATE ASSY	AK	1
420	233T2233-4		DELETED		
420A	233T2233-3	BASEPLATE	W,Y-A B,AG	1
-420B	233T2233-5	BASEPLATE	AK	1
425	BAC27TFDE0439		..DECAL-CAUTION ELECTROSTATIC SENSITIVE DEVICE. CONDUCTIVE CONNECTOR DUST COVER REQUIRED	W,Y-A B,AG	2
427	BAC27TFDE0439		..DECAL-CAUTION ELECTROSTATIC SENSITIVE DEVICE. CONDUCTIVE CONNECTOR DUST COVER REQUIRED	AK	2
-430	288T3013-1		DELETED		
-430A	288T3013-2		DELETED		
-430B	288T3013-4		DELETED		
-430C	288T3013-5		DELETED		
-430D	288T3013-3		DELETED		
-430E	288T3013-8		DELETED		
-435	286T0013-OAE		.WIRE BUNDLE	W,AK	1
-435A	286T0013-OAF		.WIRE BUNDLE	AA,AG	1
-435B	286T0013-OAG		.WIRE BUNDLE	Z	1
-435C	286T0013-OAH		.WIRE BUNDLE	AB	1
-435D	286T0013-OAJ		.WIRE BUNDLE	Y	1

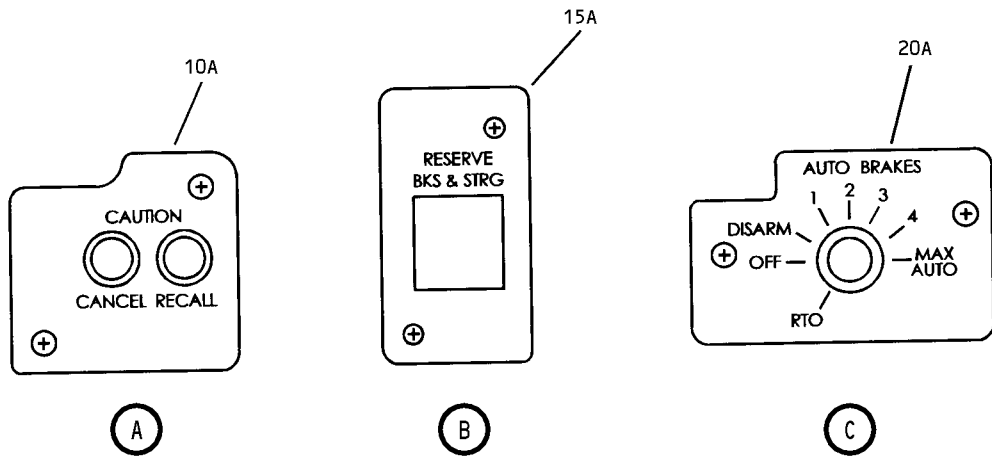
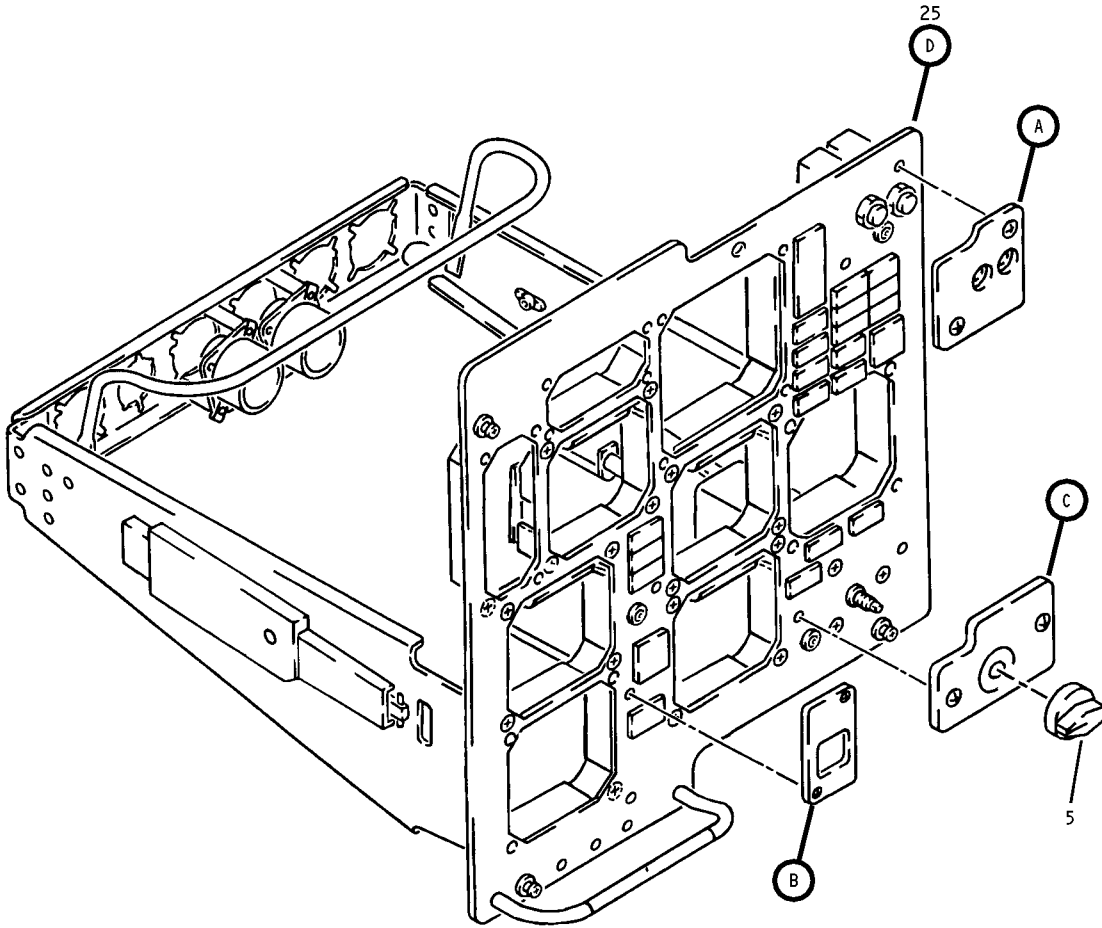
- Item Not Illustrated

31-11-61

ILLUSTRATED PARTS LIST

01.1 Page 1084J

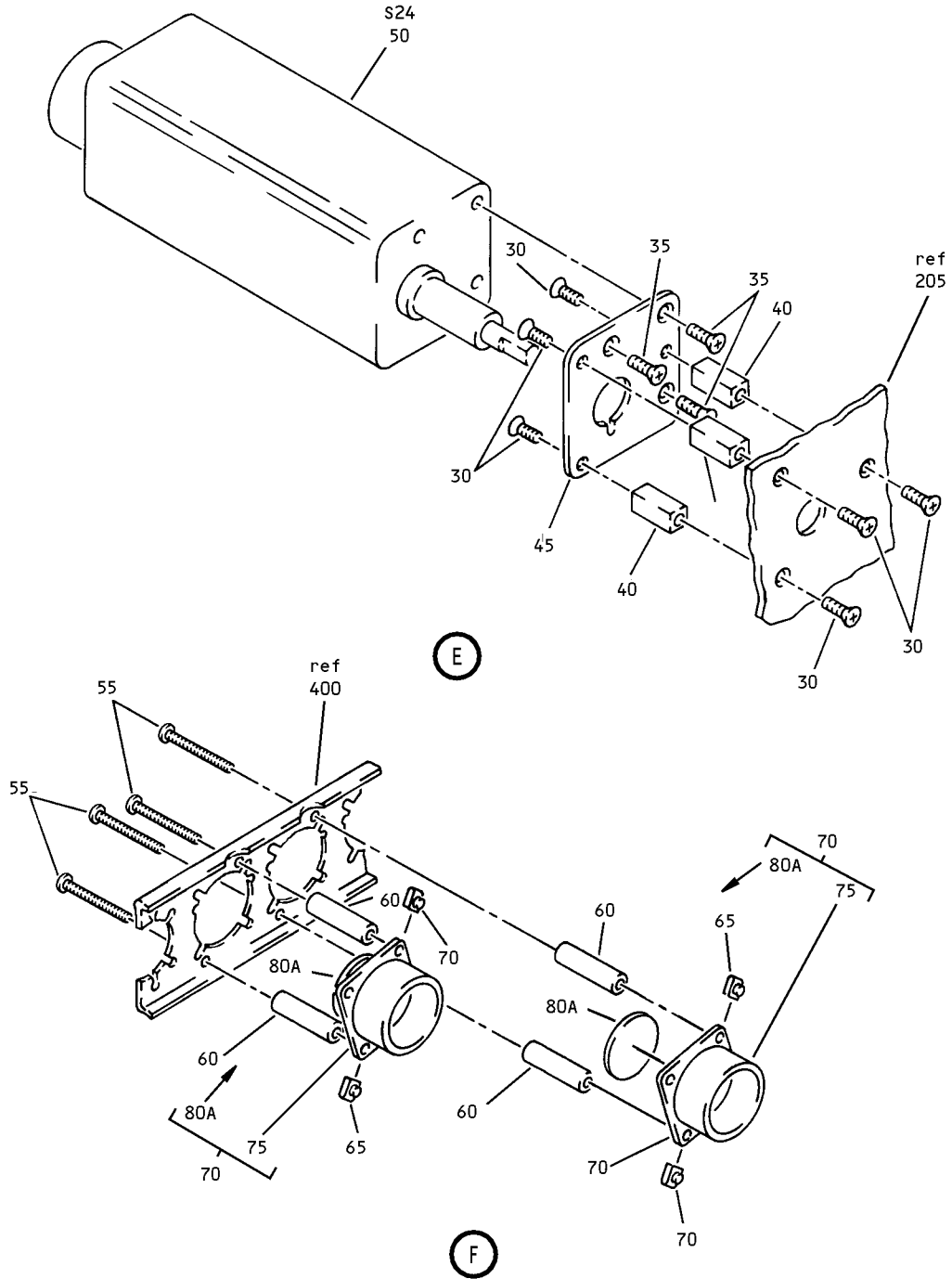
Jul 01/05



2 Crew Control Panel Assembly (P1-3)
 Figure 5 (Sheet 1)

31-11-61

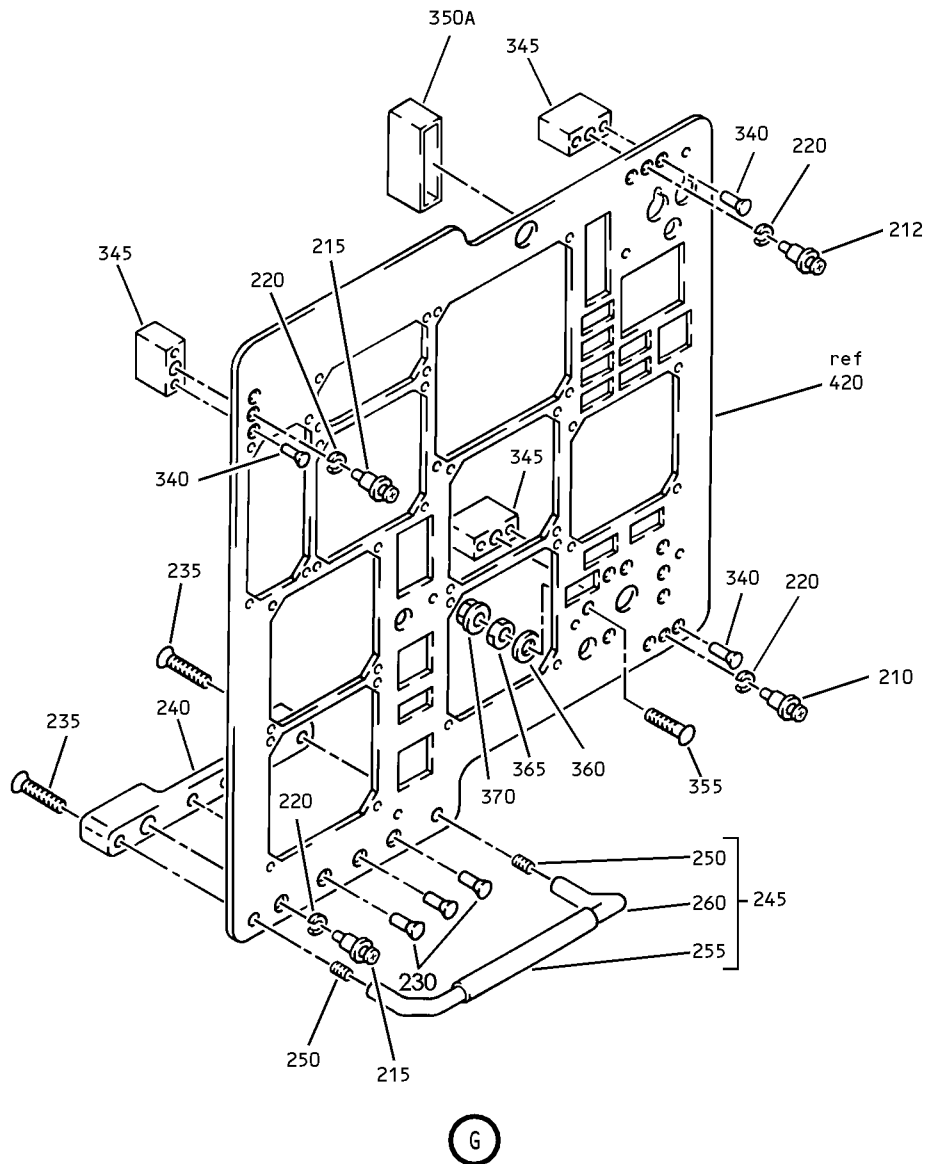
ILLUSTRATED PARTS LIST
 01.1 Page 1084K
 Jul 01/05



2 Crew Control Panel Assembly (P1-3)
Figure 5 (Sheet 3)

31-11-61

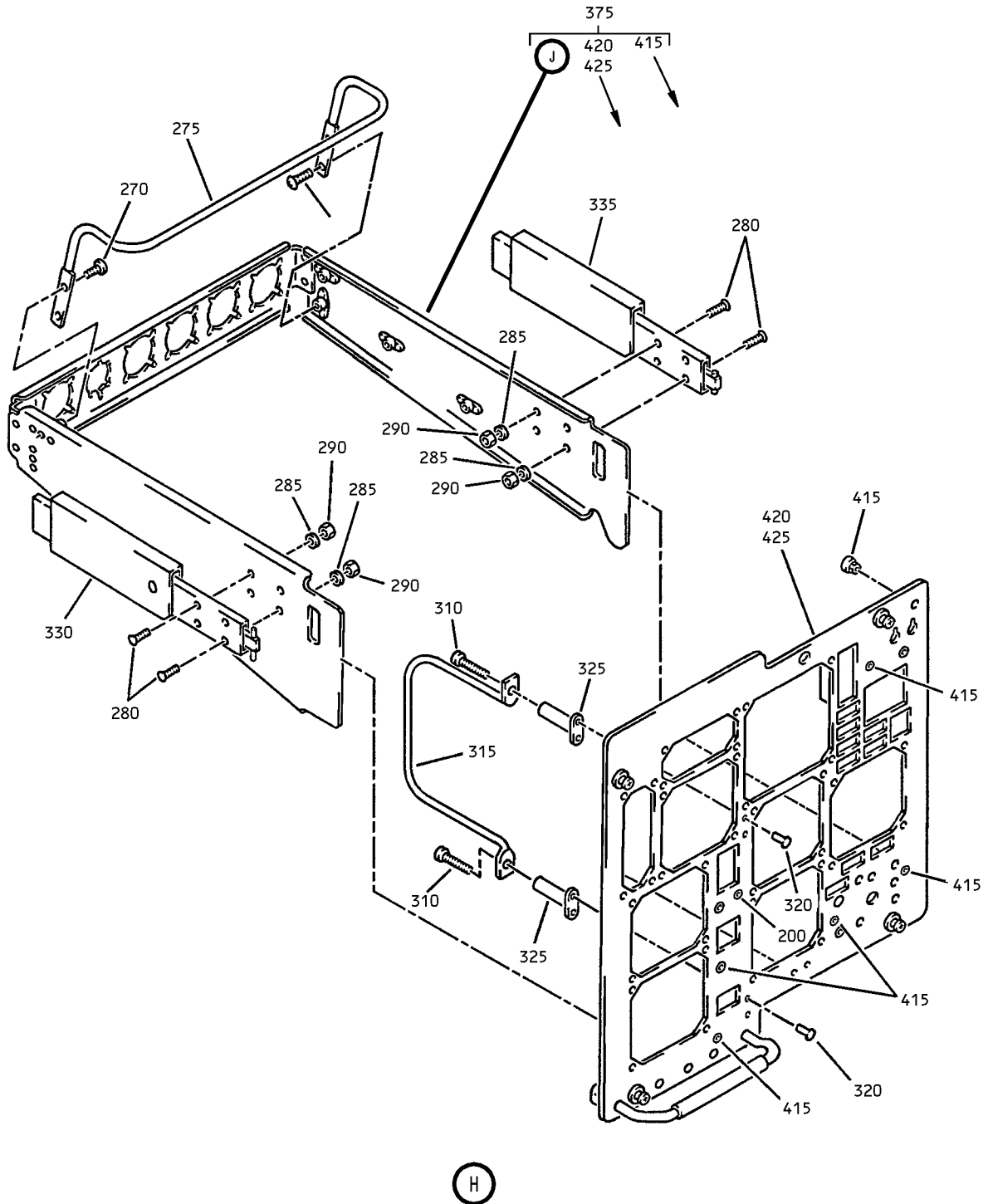
ILLUSTRATED PARTS LIST
01.1 Page 1084M
Jul 01/05



2 Crew Control Panel Assembly (P1-3)
 Figure 5 (Sheet 4)

31-11-61

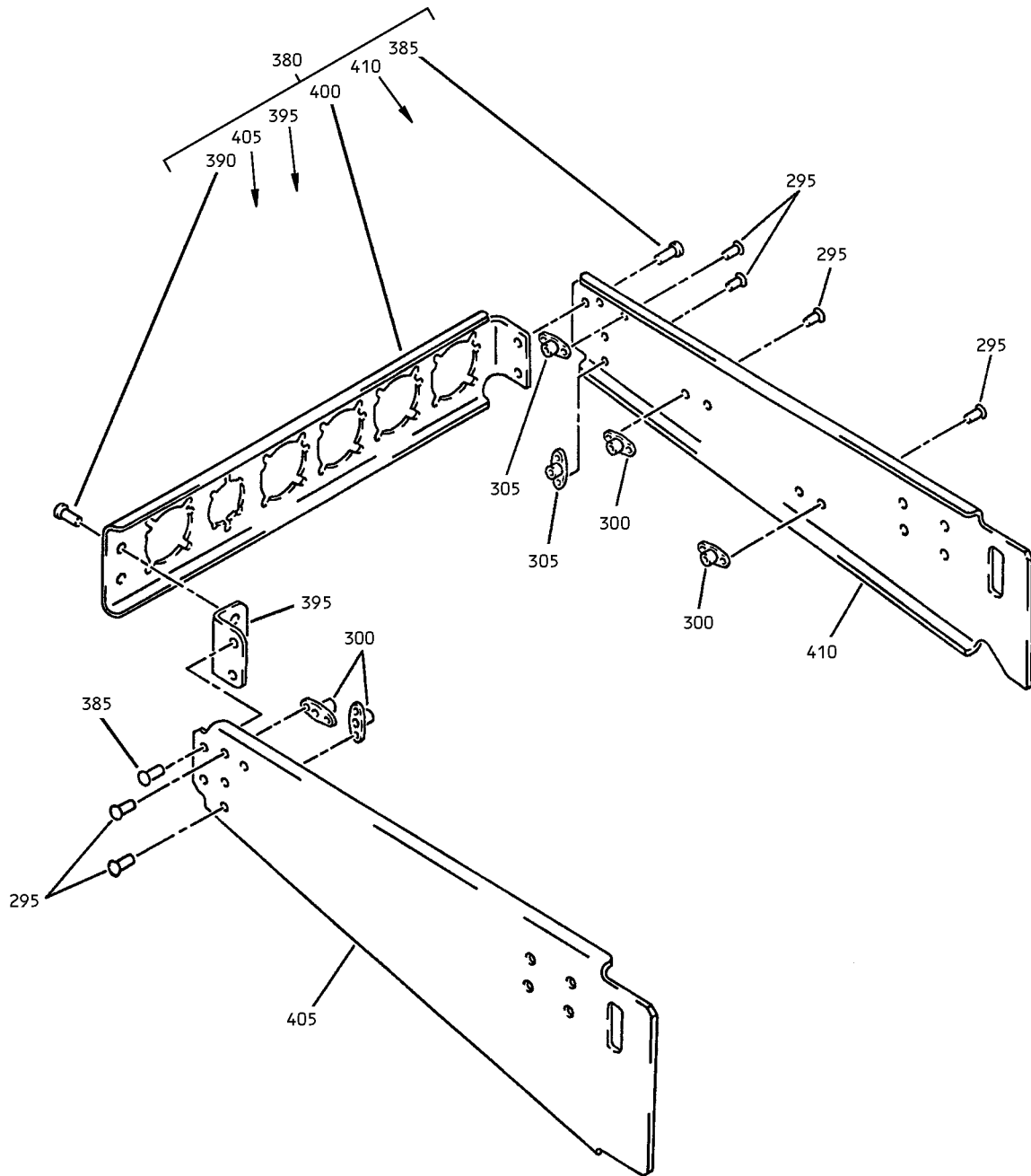
ILLUSTRATED PARTS LIST
 01.1 Page 1084N
 Jul 01/05



2 Crew Control Panel Assembly (P1-3)
Figure 5 (Sheet 5)

31-11-61

ILLUSTRATED PARTS LIST
01.1 Page 10840
Jul 01/05



J

2 Crew Control Panel Assembly (P1-3)
Figure 5 (Sheet 6)

31-11-61

ILLUSTRATED PARTS LIST
01.1 Page 1084P
Jul 01/05


BOEING
 COMPONENT
 MAINTENANCE MANUAL

FIG. & ITEM	PART NO.	AIRLINE PART NUMBER	NOMENCLATURE 1234567	EFF CODE	QTY PER ASSY
05-					
-1A	233T2222-302		PANEL ASSY-(P1-3)	X	RF
-1B	233T2222-307		PANEL ASSY-(P1-3)	AC	RF
5	BP248-127		.KNOB- (V15084)	X,AC	1
10	S233T100-022		DELETED		
10A	800-002576		.LIGHTPLATE- (V05617) (SPEC S233T100-022) (OPT S233T100-022 (V51896))	X,AC	1
15	S233T100-023		DELETED		
15A	800-001038		.LIGHTPLATE- (V05617) (SPEC S233T100-023) (OPT S233T100-023 (V51896))	X,AC	1
20	S233T100-5014		DELETED		
20A	800-002557		.LIGHTPLATE- (V05617) (SPEC S233T100-5014) (OPT S233T100-5014 (V51896))	X,AC	1
25	233T2222-98		.PANEL ASSY	X,AC	1
30	BACS12ER06K6		..SCREW	X,AC	6
35	BACS12ER06K5		..SCREW	X,AC	3
40	69B46200-21		..STANDOFF	X,AC	3
45	233T6200-214		..BRACKET-SPRT	X,AC	1
50	AC30-0003-3		..SWITCH-AUTOBRAKE (V91812) (S24) (SPEC S283T022-3)	X,AC	1
55	NAS8200A14		..SCREW	X,AC	4

31-11-61

 ILLUSTRATED PARTS LIST
 01.1 Page 1084Q
 Jul 01/05

FIG. & ITEM	PART NO.	AIRLINE PART NUMBER	NOMENCLATURE 1234567	EFF CODE	QTY PER ASSY
05-60	NAS42DD4-34		..SPACER	X,AC	4
65	K19798-04		..NUT-CLIP (V15653) (SPEC BACN10NW1) (OPT RMA4812-160-40 (V72962)) (OPT 293162 (V60119))	X,AC	4
70	280T1002-1		..RECEPTACLE ASSY-MASTER DIMMER AND PNL LT SHORTING	X,AC	2
75	CN0942-057PN		...CONNECTOR- (V13556)	X,AC	1
80	280T1020-2		DELETED		
80A	280T1002-2		...BOARD	X,AC	1
85	2PB11H58		..SWITCH-SPDT (V91929) (S10170, S10230)	X,AC	2
90	800000121-1		..CONNECTOR-PWR (V05617) (L494, L609, L662)	X,AC	3
95	285T0112-6		..SENSOR ASSY- (STATIC SENSITIVE PART) (TS281) (REF CMM 33-16-51)	X,AC	1
100	123RG1840F		..CLAMP- (V28277)	X,AC	1
105	123-3215F		..CLAMP- (V28277)	X,AC	1
110	123-4040F		..CLAMP- (V28277)	X,AC	1
115	123-3232F		..CLAMP- (V28277)	X,AC	5
120	123-3232HJ		..CLAMP- (V28277)	X,AC	1
125	BCREF11638		..LIGHT ASSY-SWITCH (V81590) (434-674-1031-2340) (L585) (SPEC S231T300-2340)	X,AC	1
130	BCREF11644		..LIGHT ASSY-SWITCH (V81590) (434-674-1031-2341) (L586) (SPEC S231T300-2341)	X,AC	1

31-11-61

 ILLUSTRATED PARTS LIST
 01.1 Page 1084R
 Jul 01/05


BOEING
 COMPONENT
 MAINTENANCE MANUAL

FIG. & ITEM	PART NO.	AIRLINE PART NUMBER	NOMENCLATURE 1234567	EFF CODE	QTY PER ASSY
05-135	BCREF11647		..LIGHT ASSY-SWITCH (V81590) (434-674-1031-2342) (L587) (SPEC S231T300-2342)	X,AC	1
140	BCREF12066		..LIGHT ASSY-INDICATOR (V81590) (434-674-1032-2020) (M779) (SPEC S231T301-2105)	X,AC	1
145	BCREF11672		..LIGHT ASSY-INDICATOR (V81590) (434-674-1031-2361) (L890) (SPEC S231T300-2361)	X,AC	1
150	BCREF11671		..LIGHT ASSY-INDICATOR (V81590) (434-674-1031-2359) (L716) (SPEC S231T300-2359)	X,AC	1
155	BCREF11649		..LIGHT ASSY-IND ALTITUDE ALERT (V81590) (434-674-1031-2343) (L136) (SPEC S231T300-2343)	X,AC	1
160	BCREF11665		..LIGHT ASSY-IND ALTITUDE ALERT (V81590) (434-674-1031-2344) (L591) (SPEC S231T300-2344)	X,AC	1
165	BCREF11666		..LIGHT ASSY-IND AUTOPILOT (V81590) (434-674-1031-2345) (L19) (SPEC S231T300-2345)	X,AC	1
170	BCREF11667		..LIGHT ASSY-IND FLT MANAGEMENT CMPTR (V81590) (434-674-1031-2346) (L603) (SPEC S231T300-2346)	X,AC	1

31-11-61

 ILLUSTRATED PARTS LIST
 01.1 Page 1084S
 Jul 01/05

FIG. & ITEM	PART NO.	AIRLINE PART NUMBER	NOMENCLATURE 1234567	EFF CODE	QTY PER ASSY
05-175	BCREFA0531		..SWITCH-PUSHBUTTON (V81590) (433-673-1004-4070) (S16) (SPEC S231T290-4070)	X,AC	1
R -175A 180	4336731004-4270 BCREFA0810		DELETED ..SWITCH-PUSHBUTTON (V81590) (433-673-1004-4075) (S547) (SPEC S231T290-4075)	X,AC	1
-180A 185	4336731004-4275 BCREF11668		DELETED ..LIGHT ASSY-IND BRAKE SOURCE (V81590) (434-674-1031-2353) (L605) (SPEC S231T300-2353)	X,AC	1
190 190A	BCREF13443 BCREF11669		DELETED ..LIGHT ASSY-LIGHTED PUSHBU (V81590) (433-674-1031-2354) (S961) (S231T300-2354)	X,AC	1
195	BCREF11670		..LIGHT ASSY-INDICATOR (V81590) (434-674-1031-2355) (L475) (SPEC S231T300-2355)	X,AC	1

31-11-61

 ILLUSTRATED PARTS LIST
 01.1 Page 1084T
 Jul 01/05


BOEING
 COMPONENT
 MAINTENANCE MANUAL

FIG. & ITEM	PART NO.	AIRLINE PART NUMBER	NOMENCLATURE 1234567	EFF CODE	QTY PER ASSY
05-200	BCREF11648		..LIGHT ASSY-IND AUTOBRAKES (V81590) (434-674-1031-2339) (L119) (SPEC S231T300-2339)	X,AC	1
205	233T2224-66		..PANEL ASSY-FWD	X,AC	1
210	BACS21EE36RB		...STUD ASSY	X,AC	1
212	BACS21EE37RB		...STUD ASSY	X,AC	1
215	BACS21EE35RB		...STUD ASSY	X,AC	2
220	2600SW2		...WASHER- (V71286) (SPEC BACW10X2S) (OPT 1127723 (V60119))	X,AC	4
225	SF12G6CBB5D		DELETED		
230	BACR15BA6AD		...RIVET- (SIZE DETERMINE ON INST)	X,AC	3
235	BACS12ER3K16		...SCREW	X,AC	2
240	012002-103		...SPACER- (V28277)	X,AC	1
245	233T2218-9		...FOOTREST ASSY	X,AC	1
250	MS21209F1-30	INSERT	X,AC	2
255	233T2221-3	SURFACING-ANTI-SLIP	X,AC	1
260	233T2218-11	FOOTREST	X,AC	1
265	NAS8203A5		...SCREW	X,AC	2
270	NAS8203A8		...SCREW	X,AC	2
275	233T2219-13		...TUBE-WIRING SUPPORT	X,AC	1
280	BACS12ER08K10		...SCREW	X,AC	8
285	NAS1149CN816R		...WASHER	X,AC	8
290	H52732-08CD		...NUT- (V15653) (SPEC BACN10YR08CD) (OPT PLH508CD (V62554))	X,AC	8

31-11-61

ILLUSTRATED PARTS LIST

01.1 Page 1084U

Jul 01/05

**COMPONENT
MAINTENANCE MANUAL**

FIG. & ITEM	PART NO.	AIRLINE PART NUMBER	NOMENCLATURE 1234567	EFF CODE	QTY PER ASSY
05- 295	BACR15BA3AD		...RIVET- (SIZE DETERMINE ON INST)	X,AC	12
300	WSI4-3		...NUTPLATE- (V04169) (SPEC BACN10TL3-3)	X,AC	4
305	WSI4-6		...NUTPLATE- (V04169) (SPEC BACN10TL3-6)	X,AC	2
310	NAS8203A8		...SCREW	X,AC	2
315	233T2219-4		...TUBE-WIRING SUPPORT	X,AC	1
320	BACR15BA3AD		...RIVET- (SIZE DETERMINE ON INST)	X,AC	4
325	WSI4-10		...NUTPLATE-SPACER (V04169) (SPEC BACN10TL3-10)	X,AC	2
330	120492BL		...SLIDE- (V05236)	X,AC	1
335	120492BR		...SLIDE- (V05236)	X,AC	1
340	BACR15BA3AD		...RIVET- (SIZE DETERMINE ON INST)	X,AC	6
345	012002-101		...SPACER- (V28277)	X,AC	3
350	012002-101		DELETED		
350A	285T2229-19		...SPACER	X,AC	3
355	BACS12ER3K12		...SCREW	X,AC	1
360	NAS1149D0363H		...WASHER	X,AC	1
365	MS35650-305T		...NUT	X,AC	1
370	H52732-3CD		...NUT- (V15653) (SPEC BACN10YR3CD) (OPT PLH53CD (V62554))	X,AC	1
375	233T2224-67		...BASEPLATE ASSY	X,AC	1
380	233T2228-11		...BRACKET ASSY	X,AC	1
385	BACR15CE5AD		...RIVET- (SIZE DETERMINE ON INST)	X,AC	4
390	BACR15FT5AD		...RIVET- (SIZE DETERMINE ON INST)	X,AC	2
395	233N2213-22		...ANGLE	X,AC	1
400	233T2229-10		...BRACKET	X,AC	1
405	233T2229-21		...BRACKET	X,AC	1
410	233T2229-22		...BRACKET	X,AC	1
415	SF12G6CBB5D		...NUT-PRESS (V12324)	X,AC	6

31-11-61

ILLUSTRATED PARTS LIST

01.1 Page 1084V

Jul 01/05

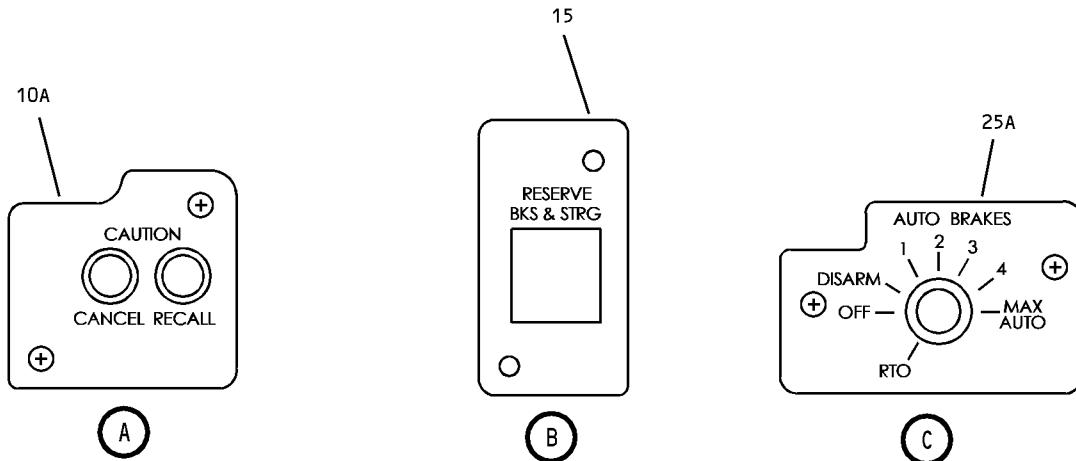
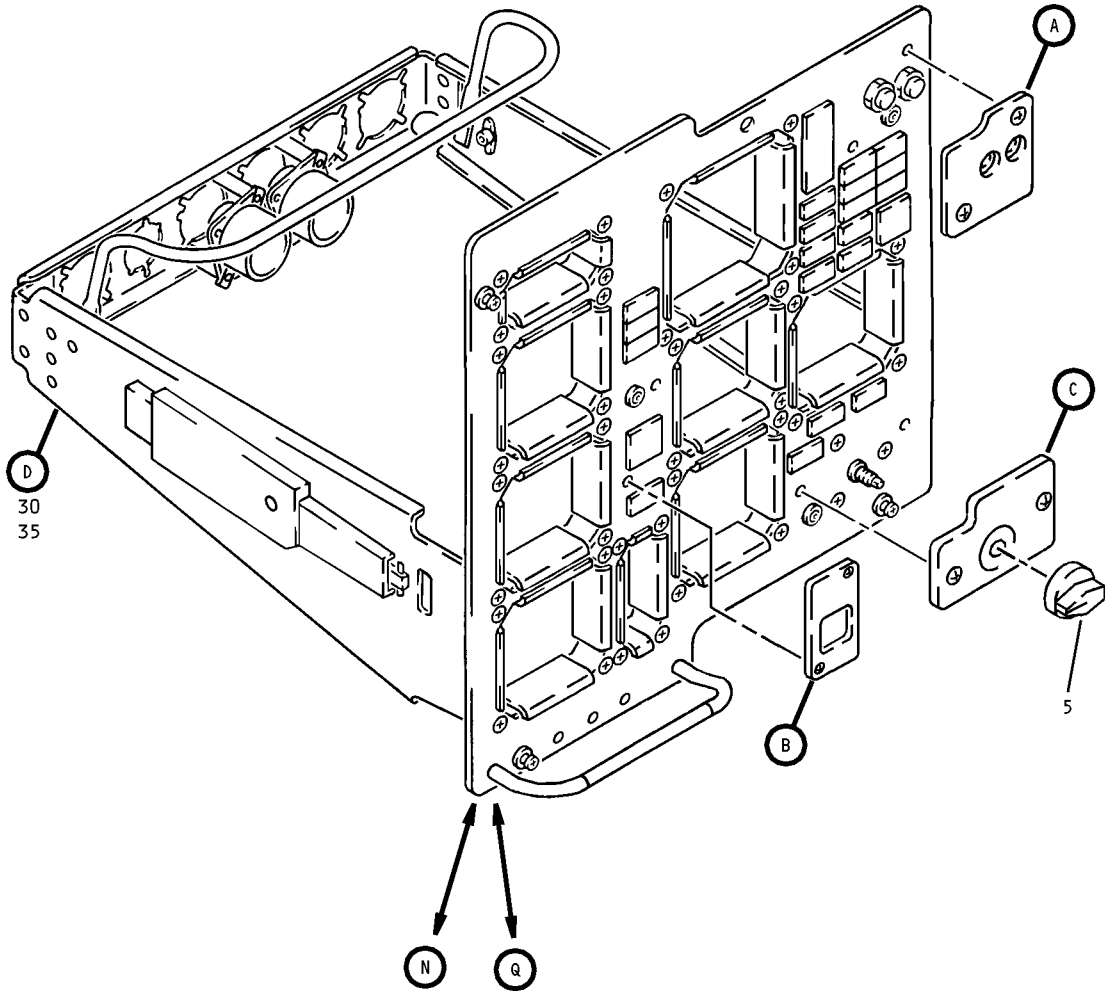

BOEING
 COMPONENT
 MAINTENANCE MANUAL

FIG. & ITEM	PART NO.	AIRLINE PART NUMBER	NOMENCLATURE	EFF CODE	QTY PER ASSY
			1234567		
05-					
420	233T2224-77	BASEPLATE	X,AC	1
425	233T2233-4	BASEPLATE	X,AC	1
430	BAC27TFDE0439		..DECAL-CAUTION	X,AC	2
			ELECTROSTATIC SENSITIVE DEVICE. CONDUCTIVE CONNECTOR DUST COVER REQUIRED		
-435	288T3013-2		DELETED		
-435A	288T3013-4		DELETED		
-440	286T0013-OAJ		.WIRE BUNDLE	X	1
-440A	286T0013-OAF		.WIRE BUNDLE	AC	1

- Item Not Illustrated

31-11-61

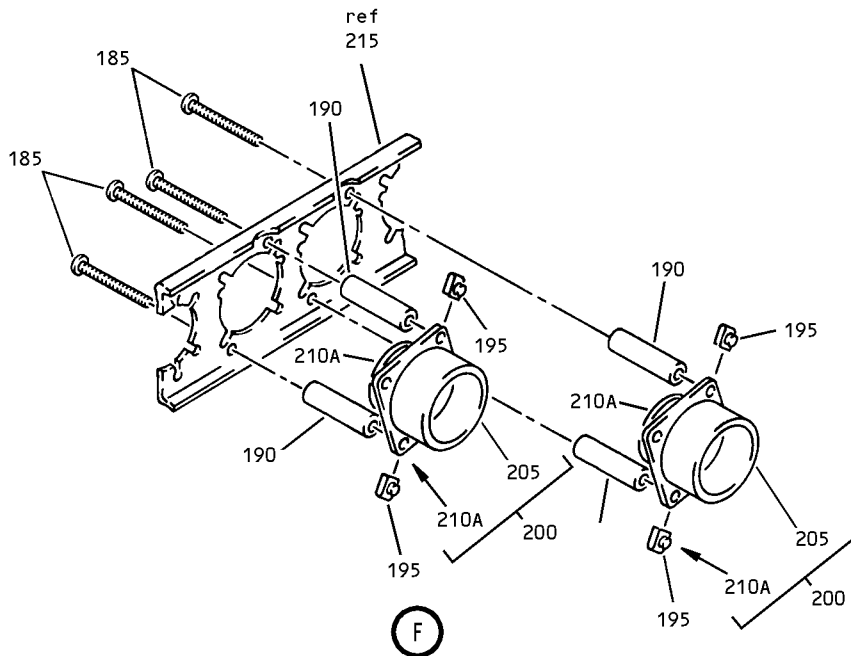
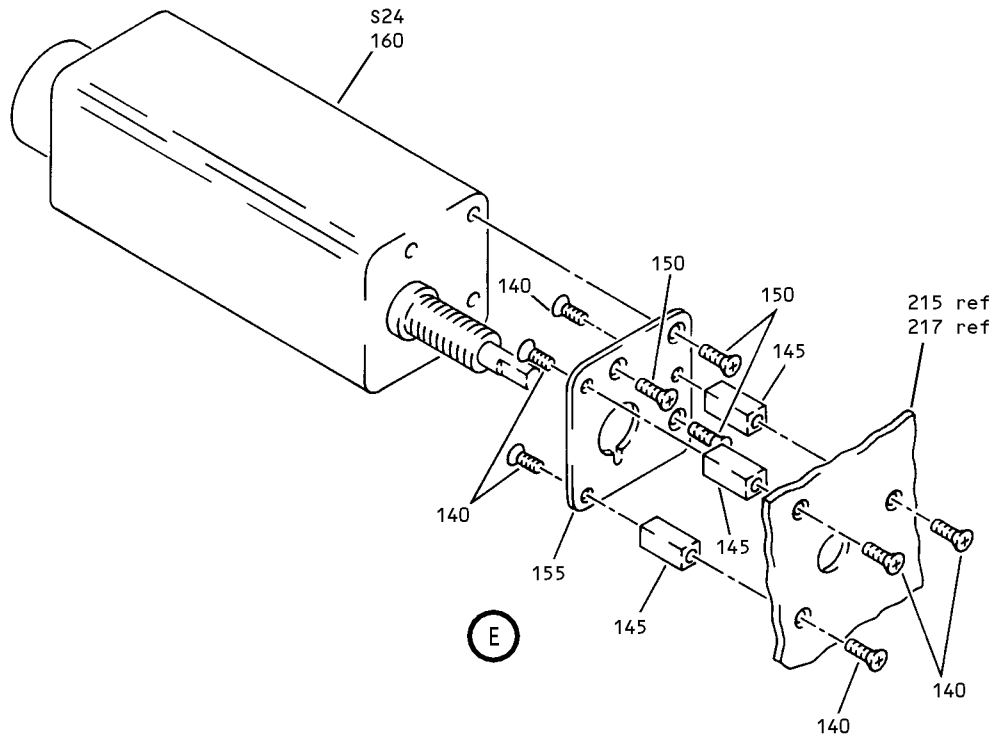
ILLUSTRATED PARTS LIST
 01.1 Page 1084W
 Jul 01/05



2 Crew Control Panel Assembly (P1-3)
Figure 6 (Sheet 1)

31-11-61

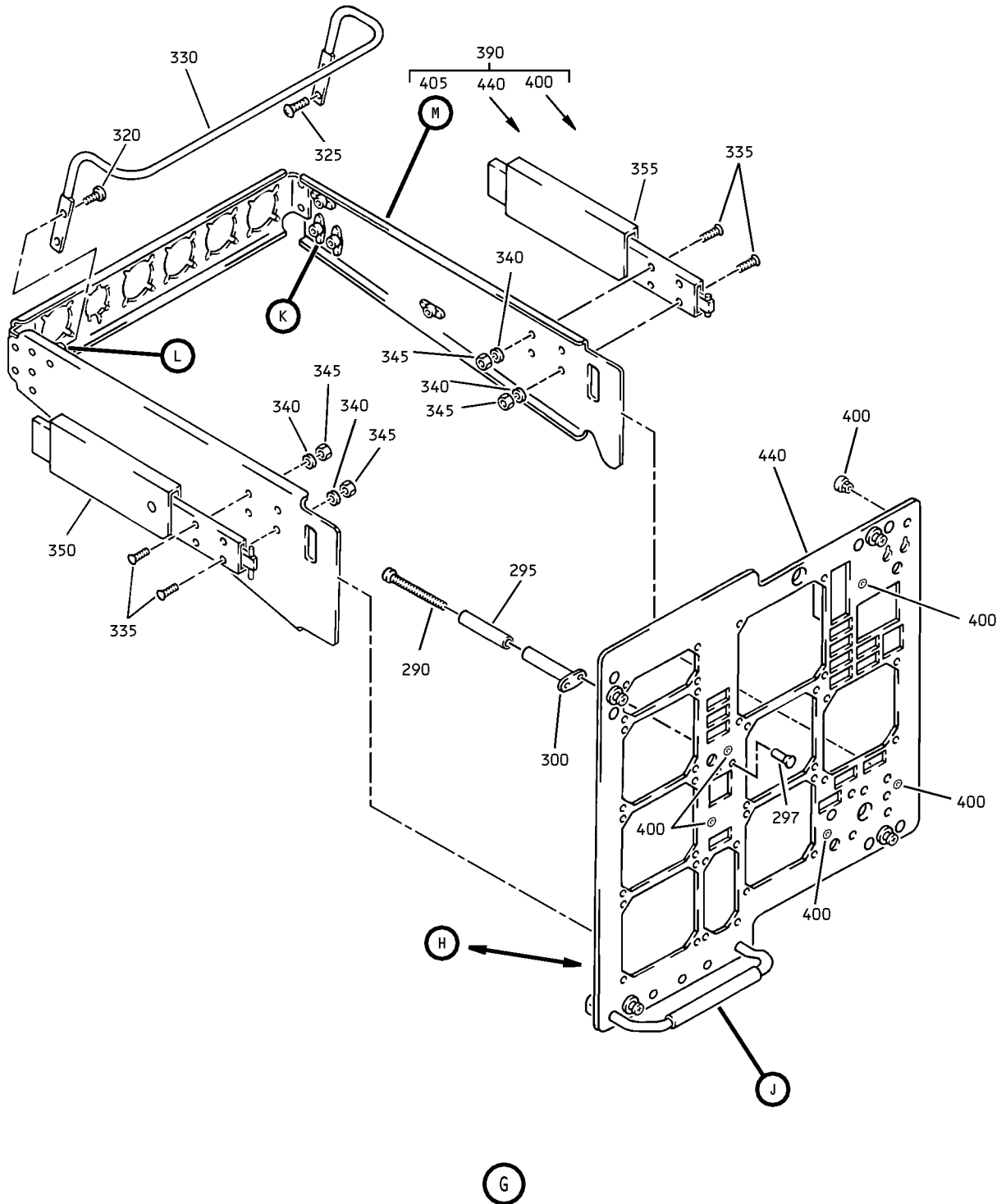
ILLUSTRATED PARTS LIST
01.1 Page 1084X
Jul 01/05



2 Crew Control Panel Assembly (P1-3)
 Figure 6 (Sheet 3)

31-11-61

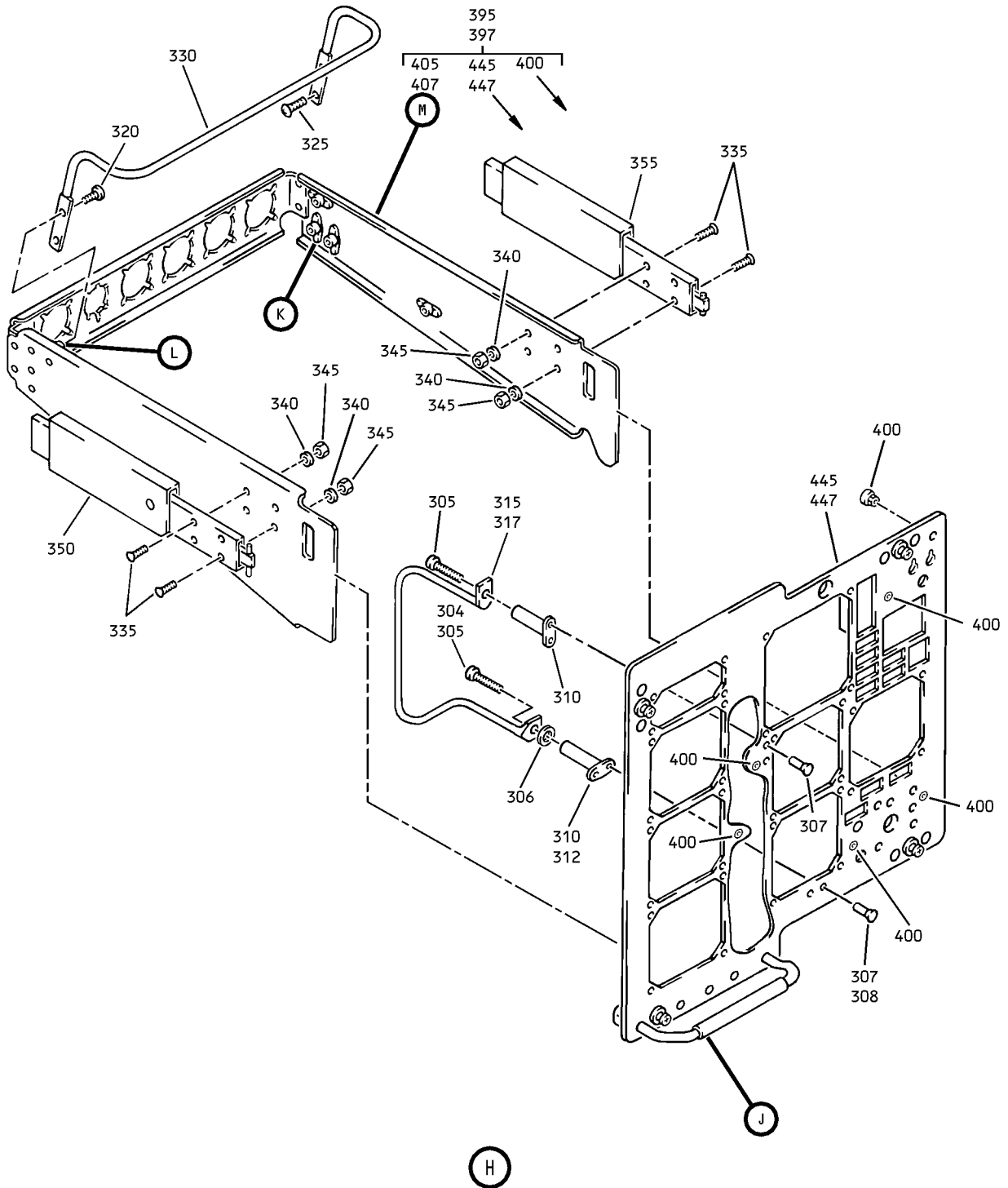
ILLUSTRATED PARTS LIST
 01.1 Page 1084Z
 Jul 01/05



2 Crew Control Panel Assembly (P1-3)
Figure 6 (Sheet 4)

31-11-61

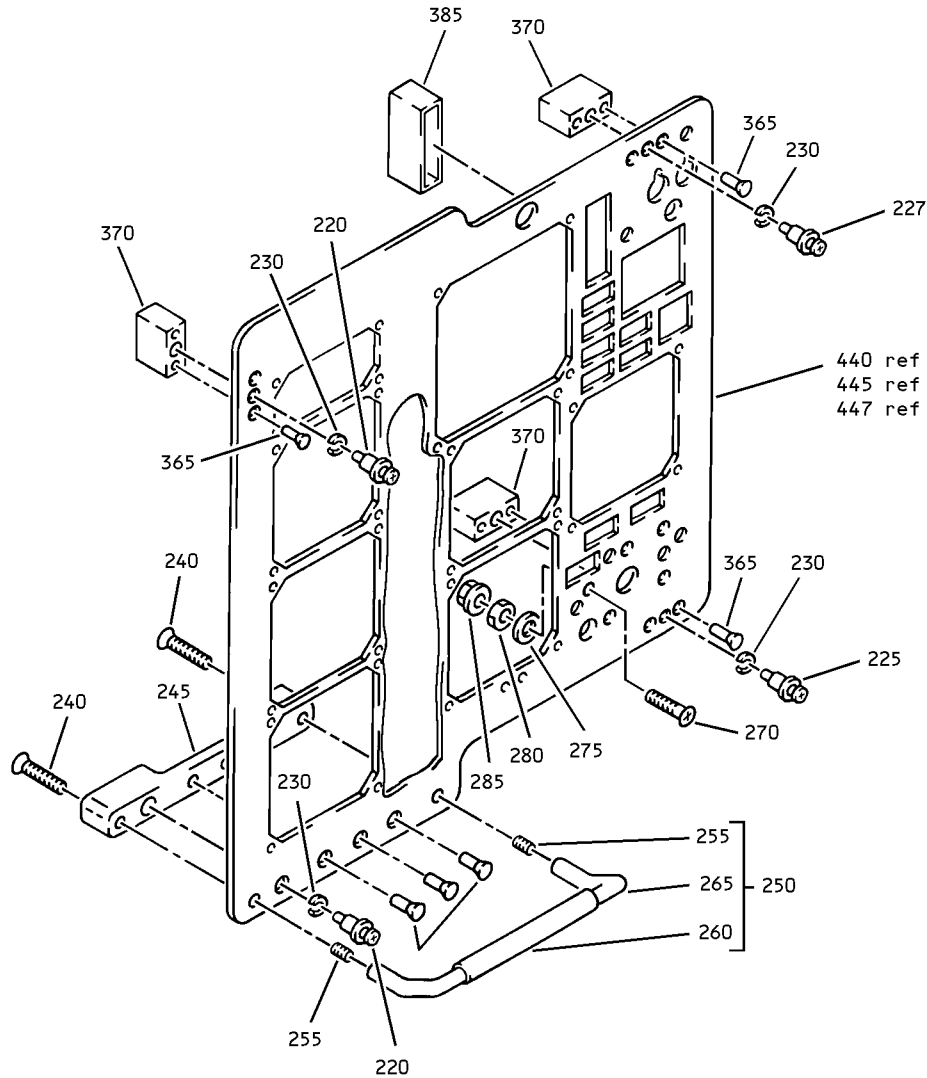
ILLUSTRATED PARTS LIST
01.1 Page 1085
Jul 01/05



2 Crew Control Panel Assembly (P1-3)
 Figure 6 (Sheet 5)

31-11-61

ILLUSTRATED PARTS LIST
 01.1 Page 1086
 Jul 01/05

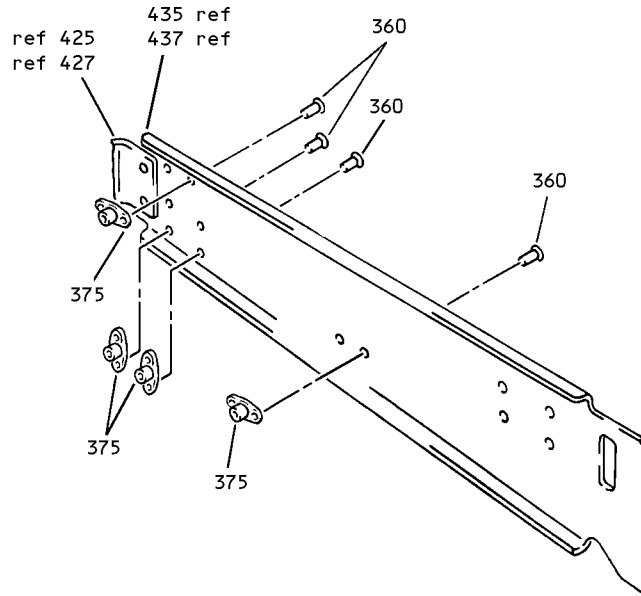


J

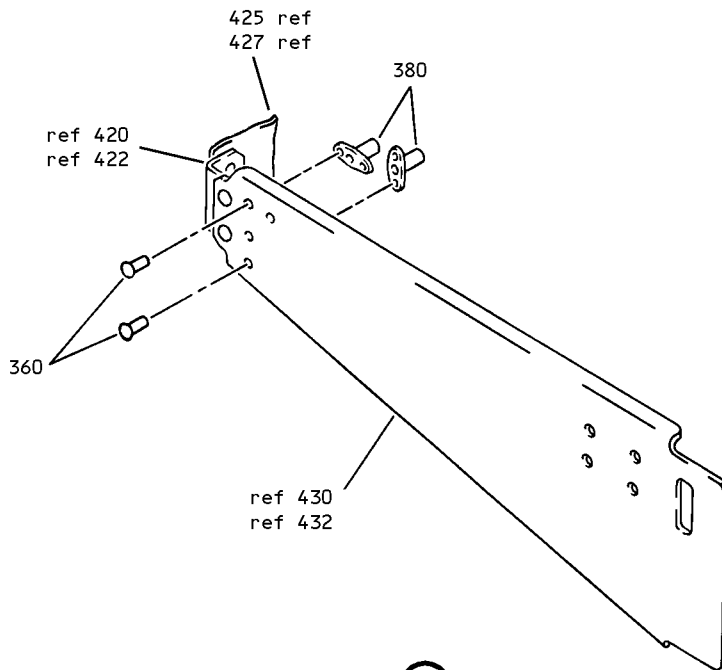
2 Crew Control Panel Assembly (P1-3)
Figure 6 (Sheet 6)

31-11-61

ILLUSTRATED PARTS LIST
01.1 Page 1086A
Jul 01/05



(K)

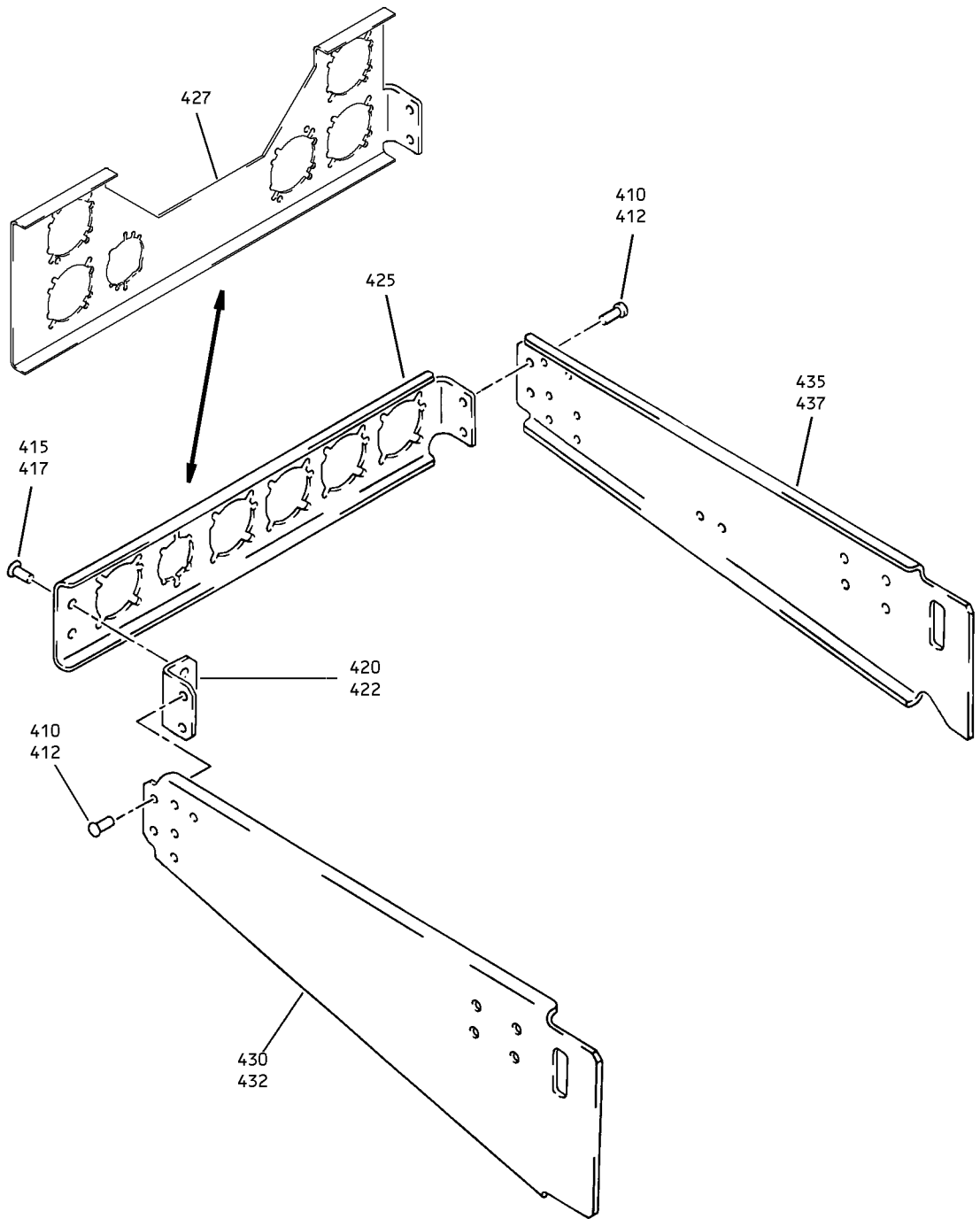


(L)

2 Crew Control Panel Assembly (P1-3)
Figure 6 (Sheet 7)

31-11-61

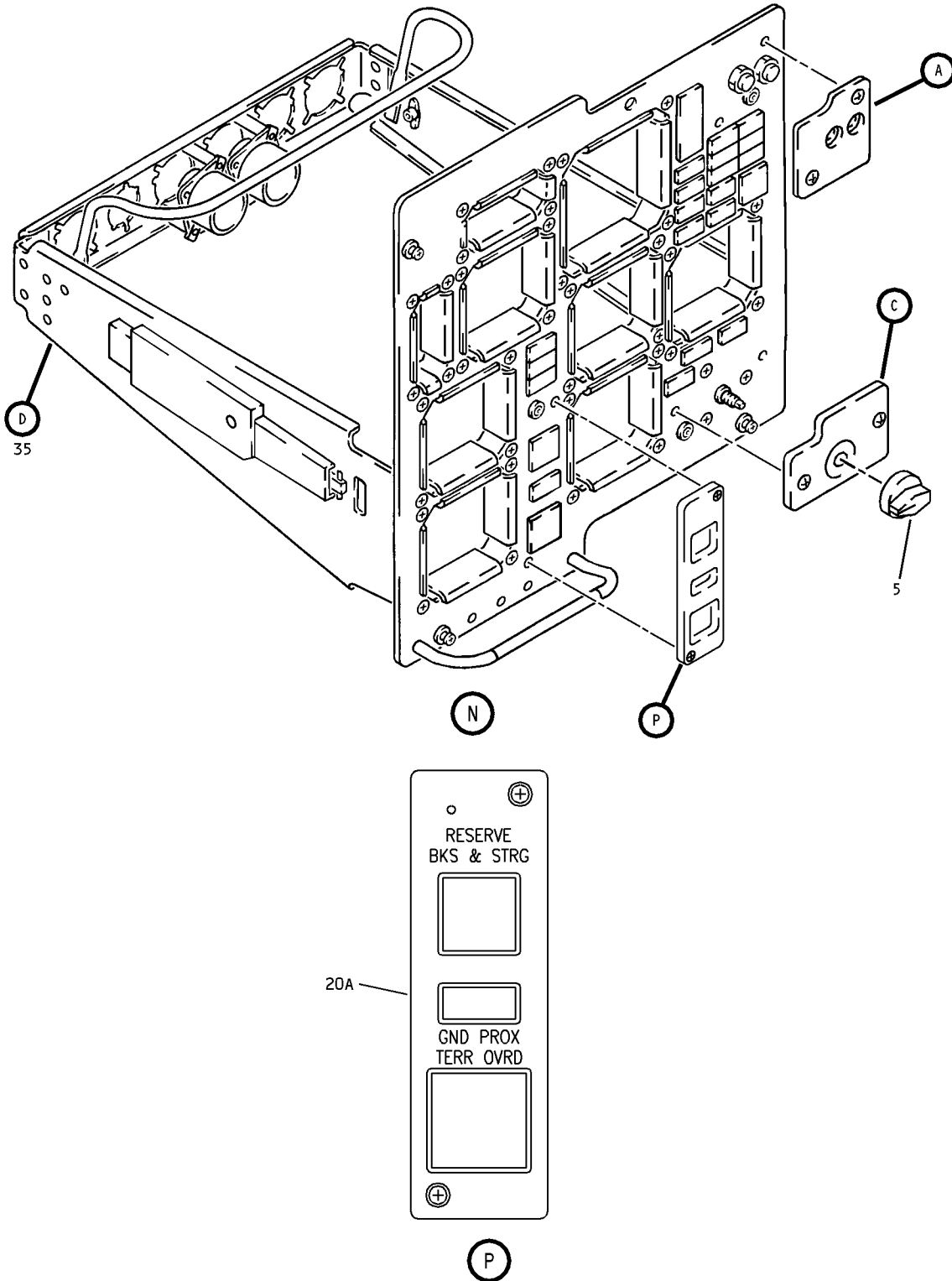
ILLUSTRATED PARTS LIST
01.1 Page 1086B
Jul 01/05



2 Crew Control Panel Assembly (P1-3)
Figure 6 (Sheet 8)

31-11-61

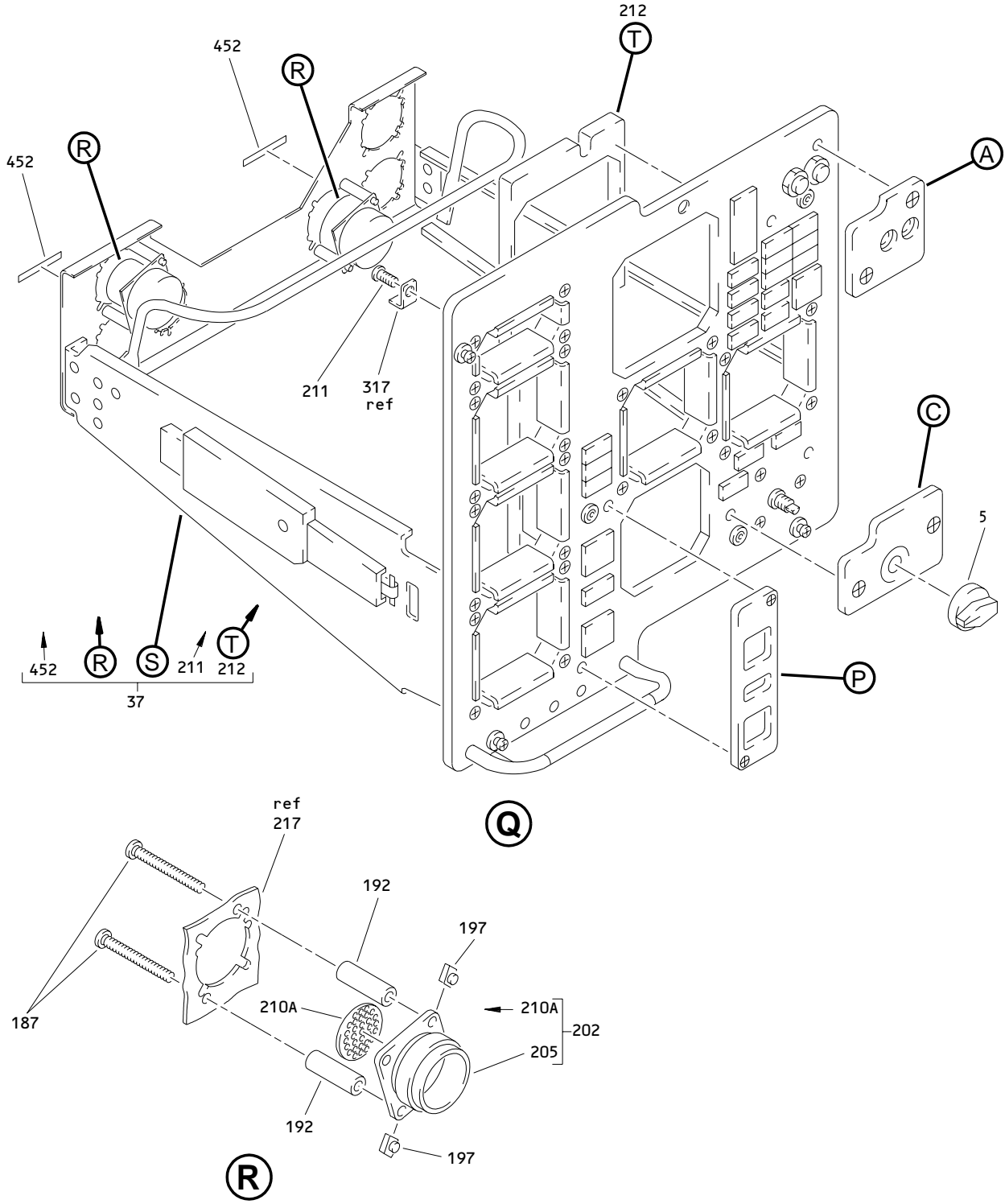
ILLUSTRATED PARTS LIST
01.1 Page 1086C
Jul 01/05



2 Crew Control Panel Assembly (P1-3)
 Figure 6 (Sheet 9)

31-11-61

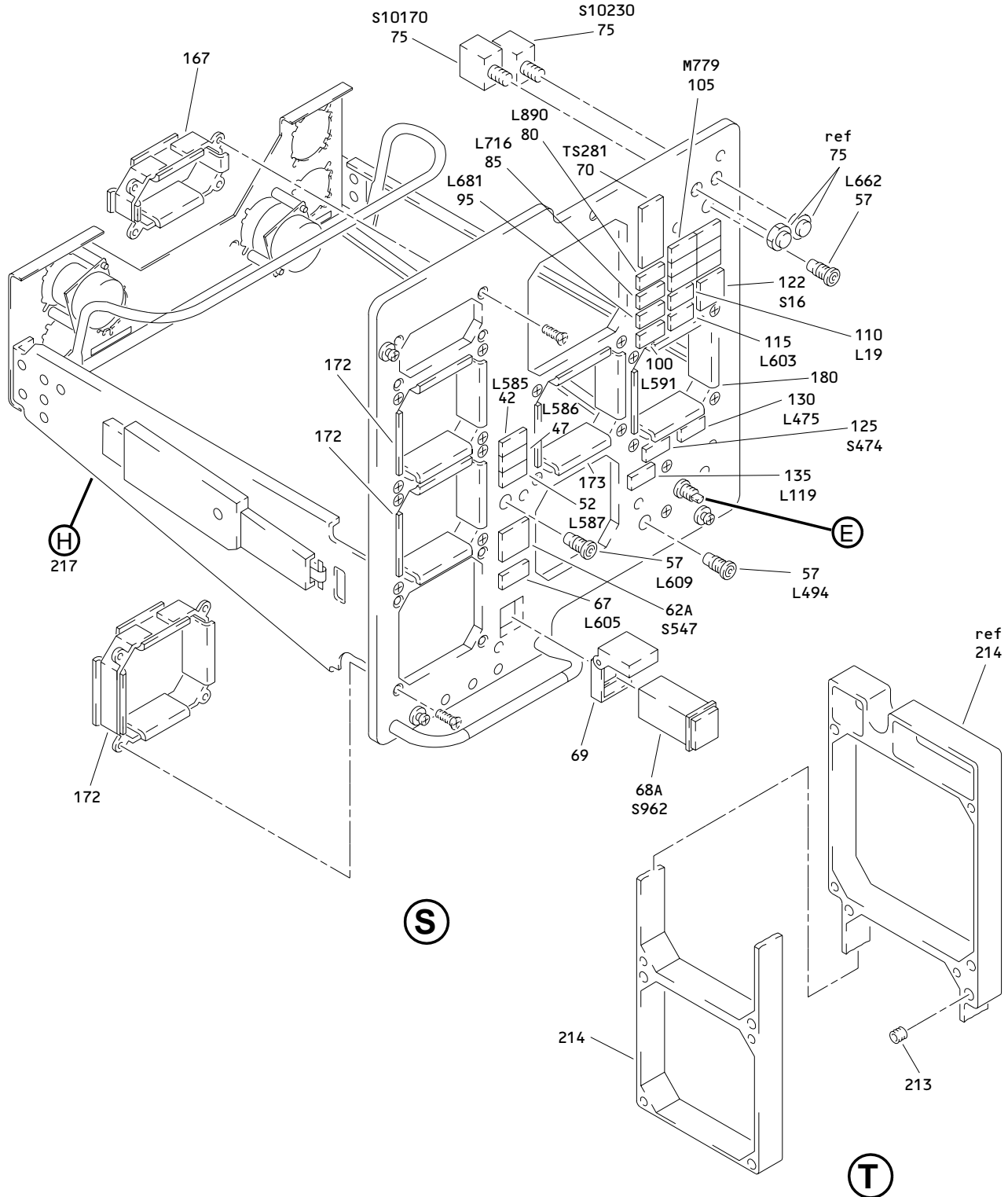
ILLUSTRATED PARTS LIST
 01.1 Page 1086D
 Jul 01/05



2 Crew Control Panel Assembly (P1-3)
 Figure 6 (Sheet 10)

31-11-61

ILLUSTRATED PARTS LIST
 01.1 Page 1086E
 Jul 01/05



2 Crew Control Panel Assembly (P1-3)
 Figure 6 (Sheet 11)

31-11-61

ILLUSTRATED PARTS LIST
 01.1 Page 1086F
 Jul 01/05


BOEING
 COMPONENT
 MAINTENANCE MANUAL

FIG. & ITEM	PART NO.	AIRLINE PART NUMBER	NOMENCLATURE 1234567	EFF CODE	QTY PER ASSY
06-					
-1A	233T2222-304		PANEL ASSY-(P1-3)	Z	RF
-1B	233T2222-308		PANEL ASSY-(P1-3)	AD	RF
-1C	233T2222-309		PANEL ASSY-(P1-3)	AE	RF
-1D	233T2222-322		PANEL ASSY-(P1-3)	AL	RF
5	BP248-127		.KNOB- (V15084)	Z,AD, AE,AL	1
10	S233T100-022		DELETED		
10A	800-002576		.LIGHTPLATE- (V05617) (SPEC S233T100-022) (OPT S233T100-022 (V51896))	Z,AD, AE,AL	1
15	800-001038		.LIGHTPLATE- (V05617) (SPEC S233T100-023) (OPT S233T100-023 (V51896))	Z	1
20	S233T100-072		DELETED		
20A	800-009201		.LIGHTPLATE- (V05617) (SPEC S233T100-072) (OPT S233T100-072 (V51896))	AE,AL	1
25	S233T100-5014		DELETED		
25A	800-002557		.LIGHTPLATE- (V05617) (SPEC S233T100-5014) (OPT S233T100-5014 (V51896))	Z,AD, AE,AL	1
30	233T2222-99		.PANEL ASSY	AD	1
35	233T2222-100		.PANEL ASSY	Z	1
37	233T2222-104		.PANEL ASSY	AE,AL	1
40	BCREF11638		..LIGHT ASSY-SWITCH (V81590) (434-674-1031-2340) (L585) (SPEC S231T300-2340)	Z,AD, AE	1

31-11-61

ILLUSTRATED PARTS LIST

01.1 Page 1086G

Jul 01/05

FIG. & ITEM	PART NO.	AIRLINE PART NUMBER	NOMENCLATURE 1234567	EFF CODE	QTY PER ASSY
06-42	BCREF11638		..LIGHT ASSY-SWITCH (V81590) (434-674-1031-2340) (L585) (SPEC S231T300-2340)	AL	1
45	BCREF11644		..LIGHT ASSY-SWITCH (V81590) (434-674-1031-2341) (L586) (SPEC S231T300-2341)	Z,AD	1
47	BCREF11644		..LIGHT ASSY-SWITCH (V81590) (434-674-1031-2341) (L586) (SPEC S231T300-2341)	AE,AL	1
50	BCREF11647		..LIGHT ASSY-SWITCH (V81590) (434-674-1031-2342) (L587) (SPEC S231T300-2342)	Z,AD	1
52	BCREF11647		..LIGHT ASSY-SWITCH (V81590) (434-674-1031-2342) (L587) (SPEC S231T300-2342)	AE,AL	1
55	800-000121-1		..CONNECTOR-PWR (V05617) (L494, L609, L662)	Z,AD	3
57	800-000121-1		..CONNECTOR-PWR (V05617) (L494, L609, L662)	AE,AL	3
60	BCREFA0810		..SWITCH-PUSHBUTTON (V81590) (433-673-1004-4075) (S547) (SPEC S231T290-4075)	Z,AD	1

31-11-61

 ILLUSTRATED PARTS LIST
 01.1 Page 1086H
 Jul 01/05


BOEING
 COMPONENT
 MAINTENANCE MANUAL

FIG. & ITEM	PART NO.	AIRLINE PART NUMBER	NOMENCLATURE 1234567	EFF CODE	QTY PER ASSY
06-62 62A	BCREF151924 4336731004-4275		DELETED ..SWITCH-PUSHBUTTON (WHEN REPLACING THE PUSHBUTTON SWITCH ASSY OR THE MASTER MODULE WITHIN, VERIFY THAT A CONFIG D MASTER MODULE P/N 13203-001 IS INSTALLED IN LIEU OF ANY EARLIER CONFIGURATION MASTER MODULES.) (V81590) (S547) (SPEC S231T290-4275)	AE,AL	1
65	BCREF11668		..LIGHT ASSY-IND BRAKE SOURCE (V81590) (434-674-1031-2353) (L605) (SPEC S231T300-2353)	Z,AD	1
67	BCREF11668		..LIGHT ASSY-IND BRAKE SOURCE (V81590) (434-674-1031-2353) (L605) (SPEC S231T300-2353)	AE,AL	1
68 68A	BCREF151908 4336731004-4257		DELETED ..SWITCH-PUSHBUTTON (WHEN REPLACING THE PUSHBUTTON SWITCH ASSY OR THE MASTER MODULE WITHIN, VERIFY THAT A CONFIG D MASTER MODULE P/N 13203-001 IS INSTALLED IN LIEU OF ANY EARLIER CONFIGURATION MASTER MODULES.) (V81590) (S962) (SPEC S231T290-4257)	AE,AL	1

31-11-61

 ILLUSTRATED PARTS LIST
 01.1 Page 1086I
 Jul 01/05

FIG. & ITEM	PART NO.	AIRLINE PART NUMBER	NOMENCLATURE 1234567	EFF CODE	QTY PER ASSY
06-69	433-100-002		..GUARD-SWITCH (V81590) (SPEC S231T290-821)	AE,AL	1
70	285T0112-6		..SENSOR ASSY- (STATIC SENSITIVE PART) (TS281) (REF CMM 33-16-51)	Z,AD, AE,AL	1
75	2PB11H58		..SWITCH-SPDT (V91929) (S10170, S10230)	Z,AD, AE,AL	2
80	BCREF11672		..LIGHT ASSY-INDICATOR (V81590) (434-674-1031-2361) (L890) (SPEC S231T300-2361)	Z,AD, AE,AL	1
85	BCREF11671		..LIGHT ASSY-INDICATOR (V81590) (434-674-1031-2359) (L716) (SPEC S231T300-2359)	Z,AD, AE,AL	1
90	BCREF11649		..LIGHT ASSY-IND ALTITUDE ALERT (V81590) (434-674-1031-2343) (L136) (SPEC S231T300-2343)	AD	1
95	BCREF8553		..LIGHT ASSY-IND BLANK (V81590) (434-674-1031-2128) (L681) (SPEC S231T300-2128)	Z,AE, AL	1

31-11-61

 ILLUSTRATED PARTS LIST
 01.1 Page 1086J
 Jul 01/05


BOEING
 COMPONENT
 MAINTENANCE MANUAL

FIG. & ITEM	PART NO.	AIRLINE PART NUMBER	NOMENCLATURE 1234567	EFF CODE	QTY PER ASSY
06-100	BCREF11665		..LIGHT ASSY-IND ALTITUDE ALERT (V81590) (434-674-1031-2344) (L591) (SPEC S231T300-2344)	Z,AD, AE,AL	1
105	BCREF12066		..LIGHT ASSY-INDICATOR (V81590) (434-674-1032-2020) (M779) (SPEC S231T301-2105)	Z,AD, AE,AL	1
110	BCREF11666		..LIGHT ASSY-IND AUTOPILOT (V81590) (434-674-1031-2345) (L19) (SPEC S231T300-2345)	Z,AD, AE,AL	1
115	BCREF11667		..LIGHT ASSY-IND FLT MANAGEMENT CMPTR (V81590) (434-674-1031-2346) (L603) (SPEC S231T300-2346)	Z,AD, AE,AL	1
120	BCREFA0531		..SWITCH-PUSHBUTTON (V81590) (433-673-1004-4070) (S16) (SPEC S231T290-4070)	Z,AD	1
-120A	BCREF151919		DELETED		
-120B	4336731004-4270		DELETED		

31-11-61

 ILLUSTRATED PARTS LIST
 01.1 Page 1086K
 Jul 01/05

**COMPONENT
MAINTENANCE MANUAL**

FIG. & ITEM	PART NO.	AIRLINE PART NUMBER	NOMENCLATURE 1234567	EFF CODE	QTY PER ASSY
06- -120C -122	4336731004-4270 4336731004-4270		DELETED ..SWITCH-PUSHBUTTON (WHEN REPLACING THE PUSHBUTTON SWITCH ASSY OR THE MASTER MODULE WITHIN, VERIFY THAT A CONFIG D MASTER MODULE P/N 13203-001 IS INSTALLED IN LIEU OF ANY EARLIER CONFIGURATION MASTER MODULES.) (V81590) (S16) (SPEC S231T290-4270)	AE,AL	1
125	BCREF11669		..LIGHT ASSY-LIGHTED PUSHBUTTON (V81590) (434-674-1031-2354) (S474) (S231T300-2354)	Z,AD, AE,AL	1
130	BCREF11670		..LIGHT ASSY-INDICATOR (V81590) (434-674-1031-2355) (L475) (SPEC S231T300-2355)	Z,AD, AE,AL	1
135	BCREF11648		..LIGHT ASSY-IND AUTOBRAKES (V81590) (434-674-1031-2339) (L119) (SPEC S231T300-2339)	Z,AD, AE,AL	1
140	BACS12ER06K6		..SCREW	Z,AD, AE,AL	6
145	69B46200-21		..STANDOFF	Z,AD, AE,AL	3
150	BACS12ER06K5		..SCREW	Z,AD, AE,AL	3
155	233T6200-214		..BRACKET-SPRT	Z,AD, AE,AL	1
160	AC30-0003-3		..SWITCH-AUTOBRAKE (V91812) (S24) (SPEC S283T022-3)	Z,AD, AE,AL	1
165	123-3215F		..CLAMP- (V28277)	Z,AD	2

31-11-61

ILLUSTRATED PARTS LIST

01.1 Page 1086L

Jul 01/05


BOEING
 COMPONENT
 MAINTENANCE MANUAL

FIG. & ITEM	PART NO.	AIRLINE PART NUMBER	NOMENCLATURE 1234567	EFF CODE	QTY PER ASSY
06-167	123-3215F		..CLAMP- (V28277)	AE,AL	1
170	123-3232F		..CLAMP- (V28277)	Z,AD	5
172	123-3232F		..CLAMP- (V28277)	AE,AL	3
173	123-3232G		..CLAMP- (V28277)	AE,AL	1
175	123-4040F		..CLAMP- (V28277)	Z,AD	1
180	123-3232HJ		..CLAMP- (V28277)	Z,AD, AE,AL	1
185	NAS8200A14		..SCREW	Z,AD	4
187	BACS12HJ04K14		..SCREW	AE,AL	4
190	NAS42DD4-34		..SPACER	Z,AD	4
192	NAS42DD4-34FC		..SPACER	AE,AL	4
195	K19798-04		..NUT-CLIP (V15653) (SPEC BACN10NW1) (OPT RMA4812-160-40 (V72962)) (OPT 293162 (V60119))	Z,AD	4
197	K19798-04		..NUT-CLIP (V15653) (SPEC BACN10NW1) (OPT RMA4812-160-40 (V72962)) (OPT 293162 (V60119))	AE,AL	4

31-11-61

 ILLUSTRATED PARTS LIST
 01.1 Page 1086M
 Jul 01/05

FIG. & ITEM	PART NO.	AIRLINE PART NUMBER	NOMENCLATURE 1234567	EFF CODE	QTY PER ASSY
06-200	280T1002-1		..RECEPTACLE ASSY-MASTER DIMMER AND PNL LT SHORTING	Z,AD	2
202	280T1002-1		..RECEPTACLE ASSY-MASTER DIMMER AND PNL LT SHORTING	AE,AL	2
205	CN0942-057PN		...CONNECTOR- (V13556)	Z,AD, AE,AL	1
210	280T1020-2		DELETED		
210A	280T1002-2		...BOARD	Z,AD, AE,AL	1
211	BACS12HJ3K8		..SCREW	AE,AL	1
212	233T2311-4		..STIFFENER ASSY	AE,AL	1
213	BACI12AEF1-20P		...INSERT	AE,AL	1
214	233T3211-3		...PANEL	AE,AL	1
215	233T2224-68		..PANEL ASSY-FWD	AD	1
-215A	233T2224-70		..PANEL ASSY-FWD	Z	1
217	233T2224-85		..PANEL ASSY-FWD	AE,AL	1
220	BACS21EE35RB		...STUD ASSY	Z,AD, AE,AL	2
225	BACS21EE36RB		...STUD ASSY	Z,AD, AE,AL	1
227	BACS21EE37RB		...STUD ASSY	Z,AD, AE,AL	1
230	2600SW2		...WASHER-RETAINING (V71286) (SPEC BACW10X2S) (OPT 1127723 (V60119))	Z,AD, AE,AL	4

31-11-61

 ILLUSTRATED PARTS LIST
 01.1 Page 1086N
 Jul 01/05


BOEING
 COMPONENT
 MAINTENANCE MANUAL

FIG. & ITEM	PART NO.	AIRLINE PART NUMBER	NOMENCLATURE 1234567	EFF CODE	QTY PER ASSY
06-235	BACR15BA6AD		...RIVET- (SIZE DETERMINE ON INST)	Z,AD, AE,AL	3
240	BACS12ER3K16		...SCREW	Z,AD, AE,AL	2
245	012002-103		...SPACER- (V28277)	Z,AD, AE,AL	1
250	233T2218-9		...FOOTREST ASSY	Z,AD, AE,AL	1
255	MS21209F1-30	INSERT	Z,AD, AE,AL	2
260	233T2221-3	SURFACING-ANTI-SLIP	Z,AD, AE,AL	1
265	233T2218-11	FOOTREST	Z,AD, AE,AL	1
270	BACS12ER3K12		...SCREW	Z,AD, AE,AL	1
275	NAS1149D0363H		...WASHER	Z,AD, AE,AL	1
280	MS35650-305T		...NUT	Z,AD, AE,AL	1
285	H52732-3CD		...NUT- (V15653) (SPEC BACN10YR3CD) (OPT PLH53CD (V62554))	Z,AD, AE,AL	1
290	NAS8203A26		...SCREW	AD	1
295	NAS42DD6-88		...SPACER	AD	1
297	BACR15BA3AD		...RIVET- (SIZE DETERMINE ON INST)	AD	2
300	WSI4-24		...NUTPLATE- (V04169) (SPEC BACN10TL3-24)	AD	1
304	BACS12HJ3K8		...SCREW	AL	1
305	NAS8203A8		...SCREW	Z	2
306	NAS1149D0332J		...WASHER	AE,AL	1
307	BACR15BA3AD		...RIVET- (SIZE DETERMINE ON INST)	Z	4
308	BACR15BA3AD		...RIVET- (SIZE DETERMINE ON INST)	AE,AL	2

31-11-61

ILLUSTRATED PARTS LIST

01.1 Page 10860

Jul 01/05

FIG. & ITEM	PART NO.	AIRLINE PART NUMBER	NOMENCLATURE 1234567	EFF CODE	QTY PER ASSY
06-310	WSI4-10		...NUTPLATE- (V04169) (SPEC BACN10TL3-10)	Z	2
312	WSI4-8		...NUTPLATE- (V04169) (SPEC BACN10TL3-8)	AE,AL	1
315	233T2219-4		...TUBE-WIRING SPRT	Z	1
317	233T2219-12		...TUBE-WIRING SPRT	AE,AL	1
320	NAS8203A5		...SCREW	Z,AD	2
-320A	BACS12HJ3K5		...SCREW	AE,AL	2
325	NAS8203A8		...SCREW	Z,AD	2
-325A	BACS12HJ3K8		...SCREW	AE,AL	2
330	233T2219-13		...TUBE-WIRING SPRT	Z,AD	1
-330A	233T2219-14		...TUBE-WIRING SPRT	AE,AL	1
335	BACS12ER08K10		...SCREW	Z,AD, AE,AL	8
340	NAS1149CN816R		...WASHER	Z,AD, AE,AL	8
345	H52732-08CD		...NUT- (V15653) (SPEC BACN10YR08CD) (OPT PLH508CD (V62554))	Z,AD, AE,AL	8
350	120492BL		...SLIDE- (V05236)	Z,AD, AE,AL	1
355	120492BR		...SLIDE- (V05236)	Z,AD, AE,AL	1
360	BACR15BA3AD		...RIVET- (SIZE DETERMINE ON INST)	Z,AD, AE,AL	12
365	BACR15BA3AD		...RIVET- (SIZE DETERMINE ON INST)	Z,AD, AE,AL	6
370	012002-101		...SPACER- (V28277)	Z,AD, AE,AL	3
375	WSI4-3		...NUTPLATE- (V04169) (SPEC BACN10TL3-3)	Z,AD, AE,AL	4
380	WSI4-6		...NUTPLATE- (V04169) (SPEC BACN10TL3-6)	Z,AD, AE,AL	2
385	233T2229-19		...SPACER	Z,AD, AE,AL	1
390	233T2224-69		...BASEPLATE ASSY	AD	1
395	233T2224-71		...BASEPLATE ASSY	Z	1
397	233T2224-86		...BASEPLATE ASSY	AE,AL	1

31-11-61

ILLUSTRATED PARTS LIST

01.1 Page 1086P

Jul 01/05


BOEING
 COMPONENT
 MAINTENANCE MANUAL

FIG. & ITEM	PART NO.	AIRLINE PART NUMBER	NOMENCLATURE 1234567	EFF CODE	QTY PER ASSY
06-400	SF12G6CBB5D	NUT-PRESS	Z,AD, AE,AL	6
405	233T2228-11	BRACKET ASSY	Z,AD	1
407	233T2228-13	BRACKET ASSY	AE,AL	1
410	BACR15CE5AD	RIVET- (SIZE DETERMINE ON INST)	Z,AD	4
412	BACR15CE5AD	RIVET- (SIZE DETERMINE ON INST)	AE,AL	4
415	BACR15FT5AD	RIVET- (SIZE DETERMINE ON INST)	Z,AD	2
417	BACR15BB5AD	RIVET- (SIZE DETERMINE ON INST)	AE,AL	2
420	233N2213-22	ANGLE	Z,AD	1
422	233T2229-27	BRACKET	AE,AL	1
425	233T2229-10	BRACKET	Z,AD	1
427	233T2229-24	BRACKET	AE,AL	1
430	233T2229-21	BRACKET	Z,AD	1
432	233T2229-25	BRACKET	AE,AL	1
435	233T2229-22	BRACKET	Z,AD	1
437	233T2229-26	BRACKET	AE,AL	1
440	233T2224-78	BASEPLATE	AD	1
445	233T2224-74	BASEPLATE (ALT FROM 233T2233-3 (V81205))	Z	1
447	233T2224-87	BASEPLATE	AE,AL	1
450	BAC27TFDE0439		..DECAL-CAUTION ELECTROSTATIC SENSITIVE DEVICE. CONDUCTIVE CONNECTOR DUST COVER REQUIRED	Z,AD	2

31-11-61

ILLUSTRATED PARTS LIST

01.1 Page 1086Q

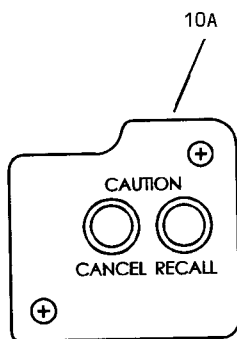
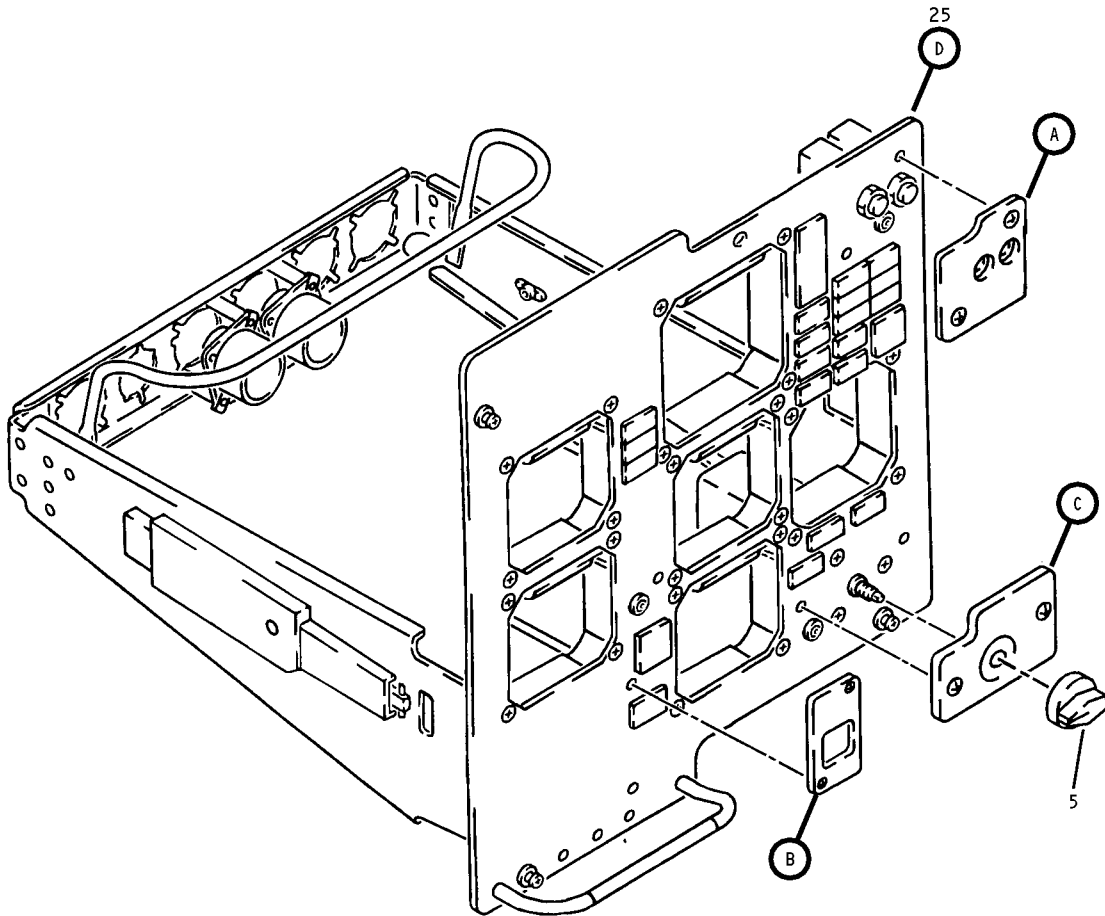
Jul 01/05

FIG. & ITEM	PART NO.	AIRLINE PART NUMBER	NOMENCLATURE 1234567	EFF CODE	QTY PER ASSY
06-452	BAC27TFDE0439		..DECAL-CAUTION ELECTROSTATIC SENSITIVE DEVICE. CONDUCTIVE CONNECTOR DUST COVER REQUIRED	AE,AL	2
-455	288T3013-3		DELETED		
-455A	288T3013-1		DELETED		
-455B	288T3013-6		DELETED		
-460	286T0013-OAG		.WIRE BUNDLE	Z	1
-460A	286T0013-OAE		.WIRE BUNDLE	AD	1
-460B	286T0013-OAM		.WIRE BUNDLE	AL	1
-460C	286T0013-OAU		.WIRE BUNDLE	AE	1

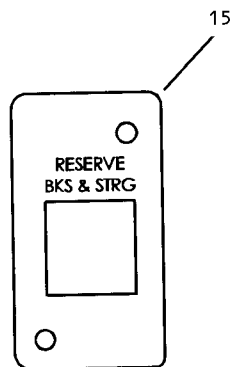
- Item Not Illustrated

31-11-61

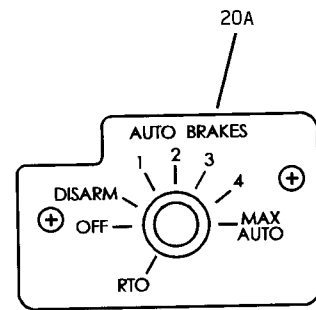
ILLUSTRATED PARTS LIST
 01.1 Page 1086R
 Jul 01/05



A



B



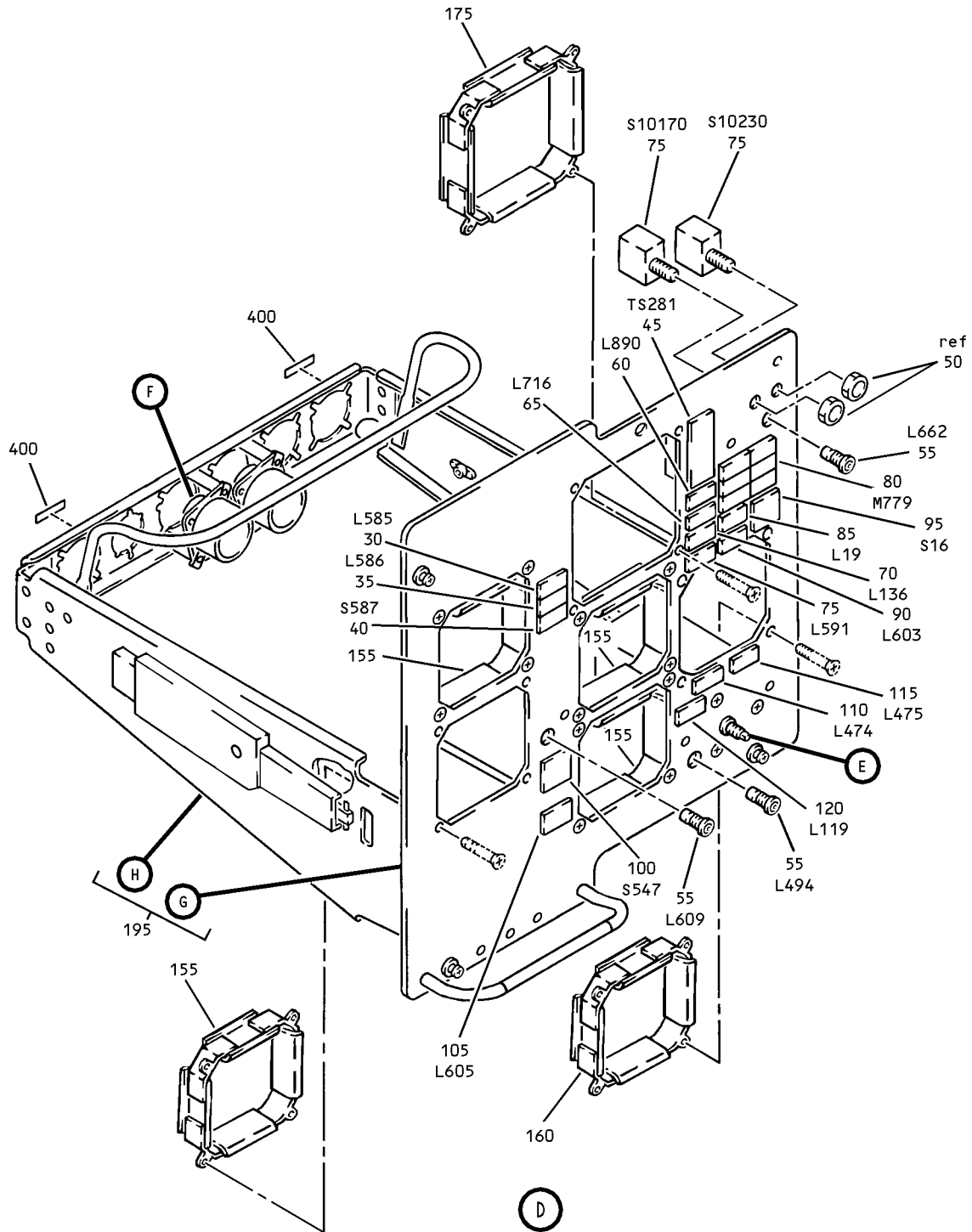
C

2 Crew Control Panel Assembly (P1-3)
 Figure 7 (Sheet 1)

31-11-61

ILLUSTRATED PARTS LIST
 01.1 Page 1086T
 Jul 01/05

BOEING
COMPONENT
MAINTENANCE MANUAL

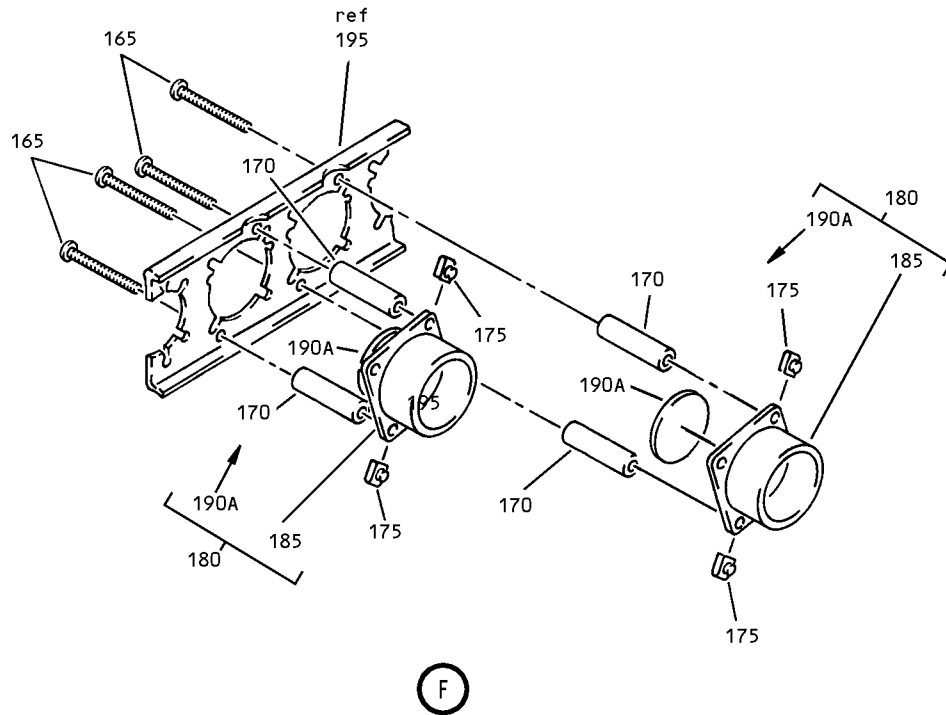
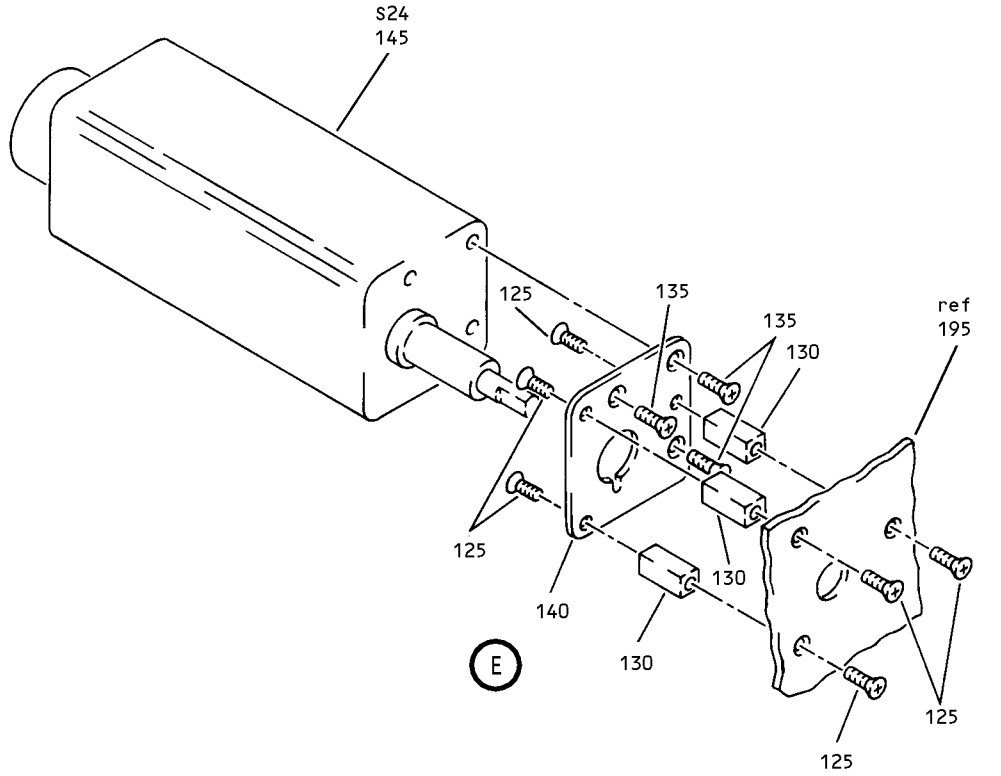


2 Crew Control Panel Assembly (P1-3)
Figure 7 (Sheet 2)

31-11-61

ILLUSTRATED PARTS LIST
01.1 Page 1086U
Jul 01/05

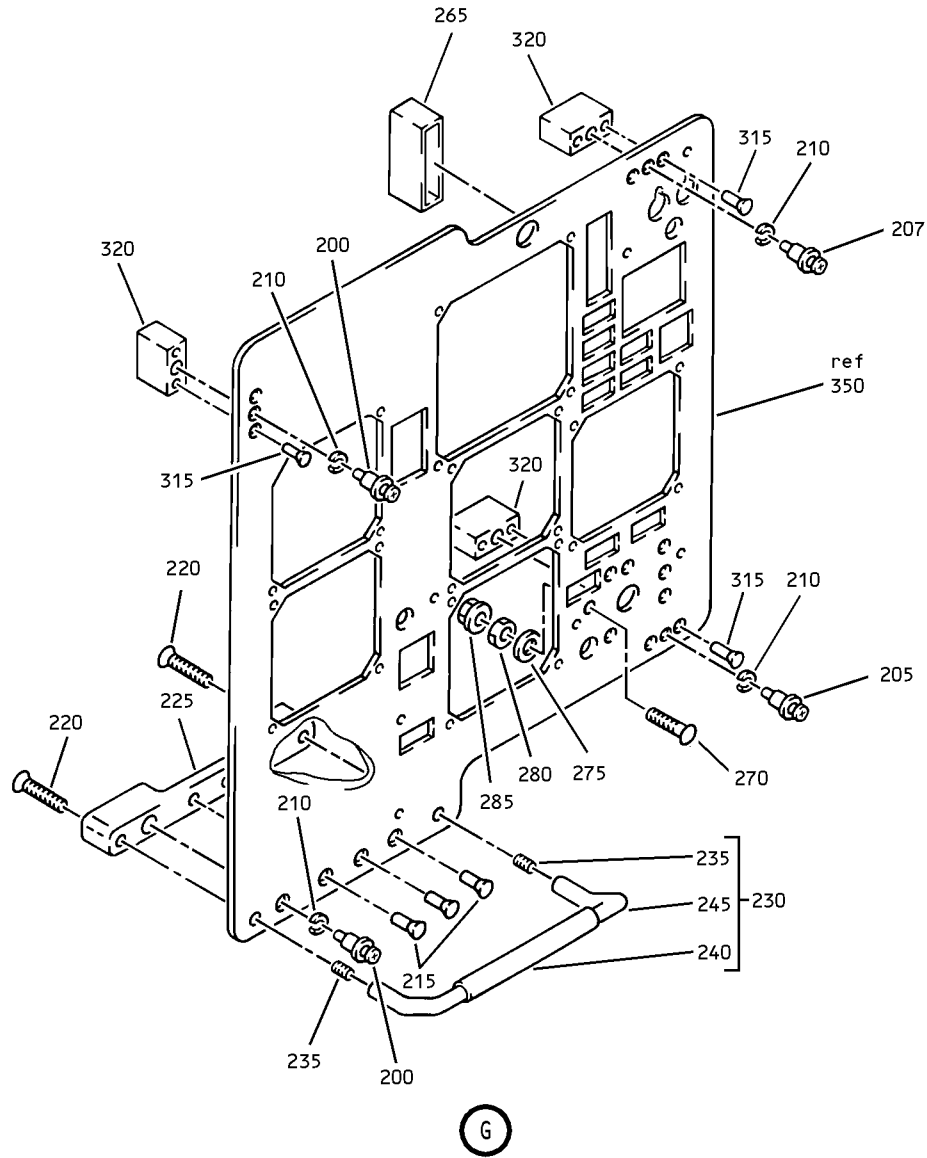
COMPONENT
MAINTENANCE MANUAL



2 Crew Control Panel Assembly (P1-3)
Figure 7 (Sheet 3)

31-11-61

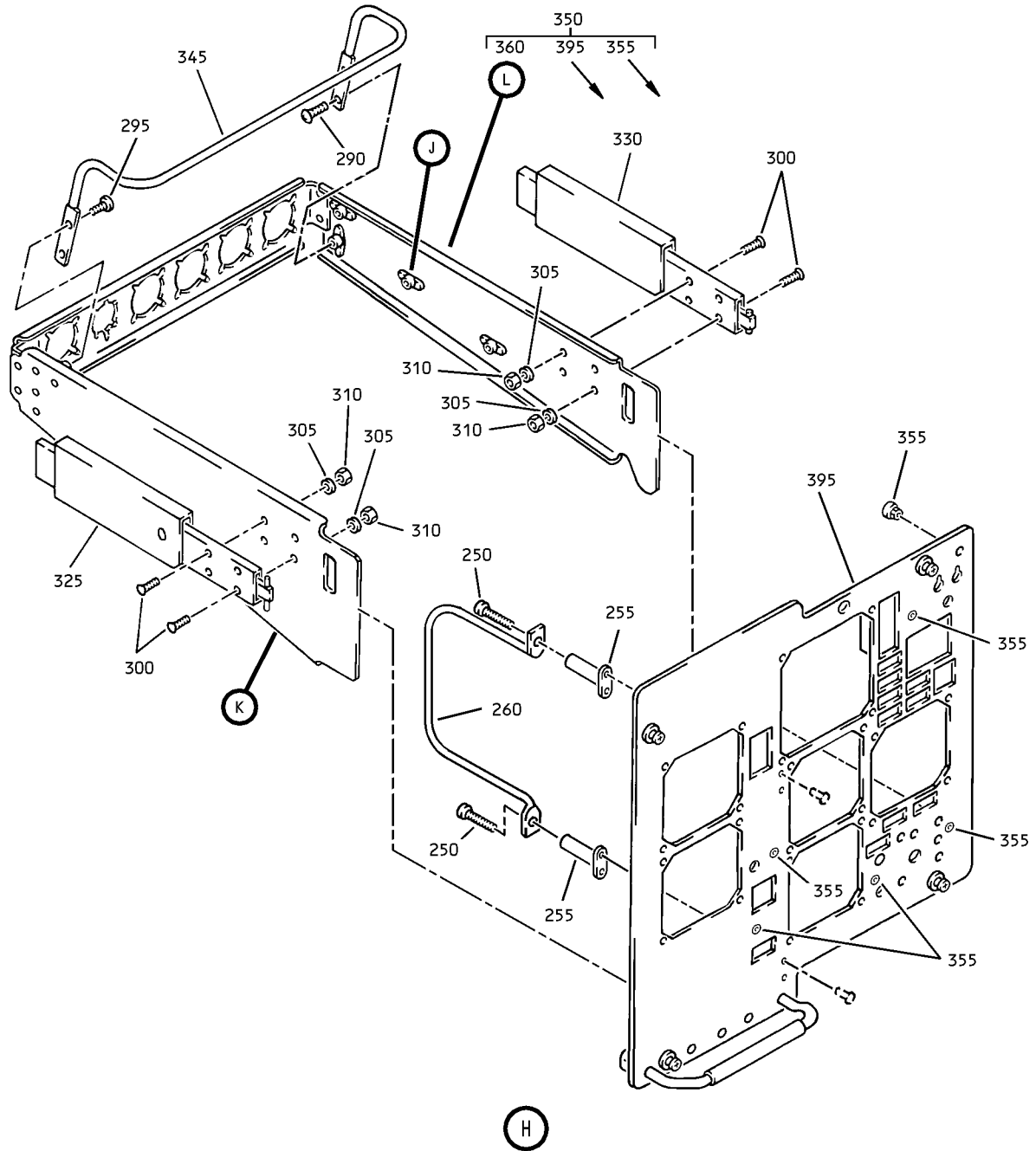
ILLUSTRATED PARTS LIST
01.1 Page 1086V
Jul 01/05



2 Crew Control Panel Assembly (P1-3)
Figure 7 (Sheet 4)

31-11-61

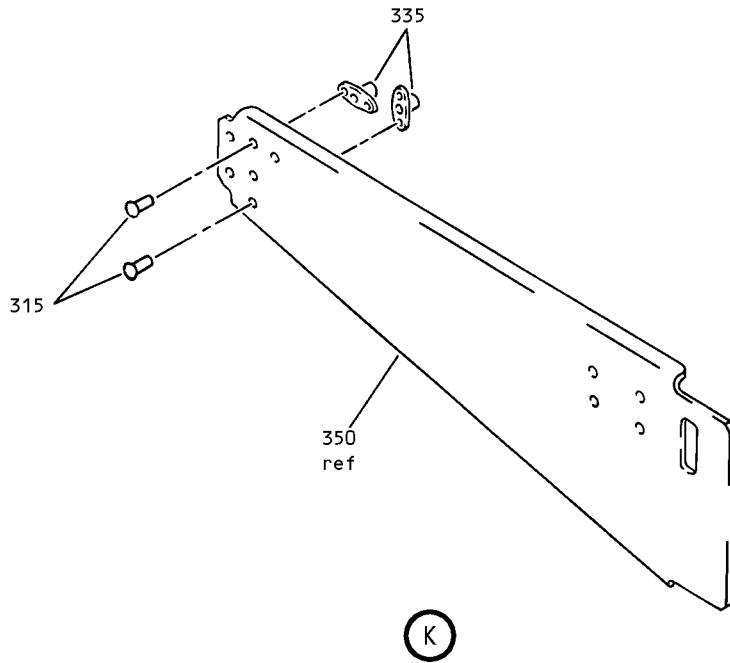
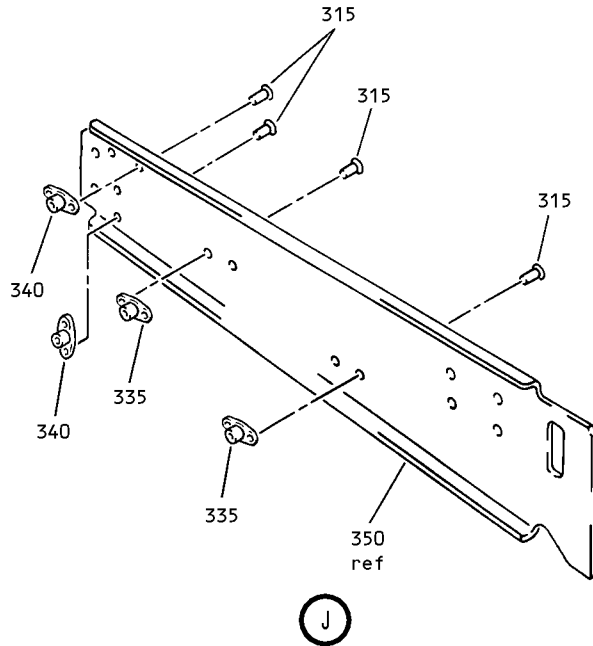
ILLUSTRATED PARTS LIST
01.1 Page 1086W
Jul 01/05



2 Crew Control Panel Assembly (P1-3)
 Figure 7 (Sheet 5)

31-11-61

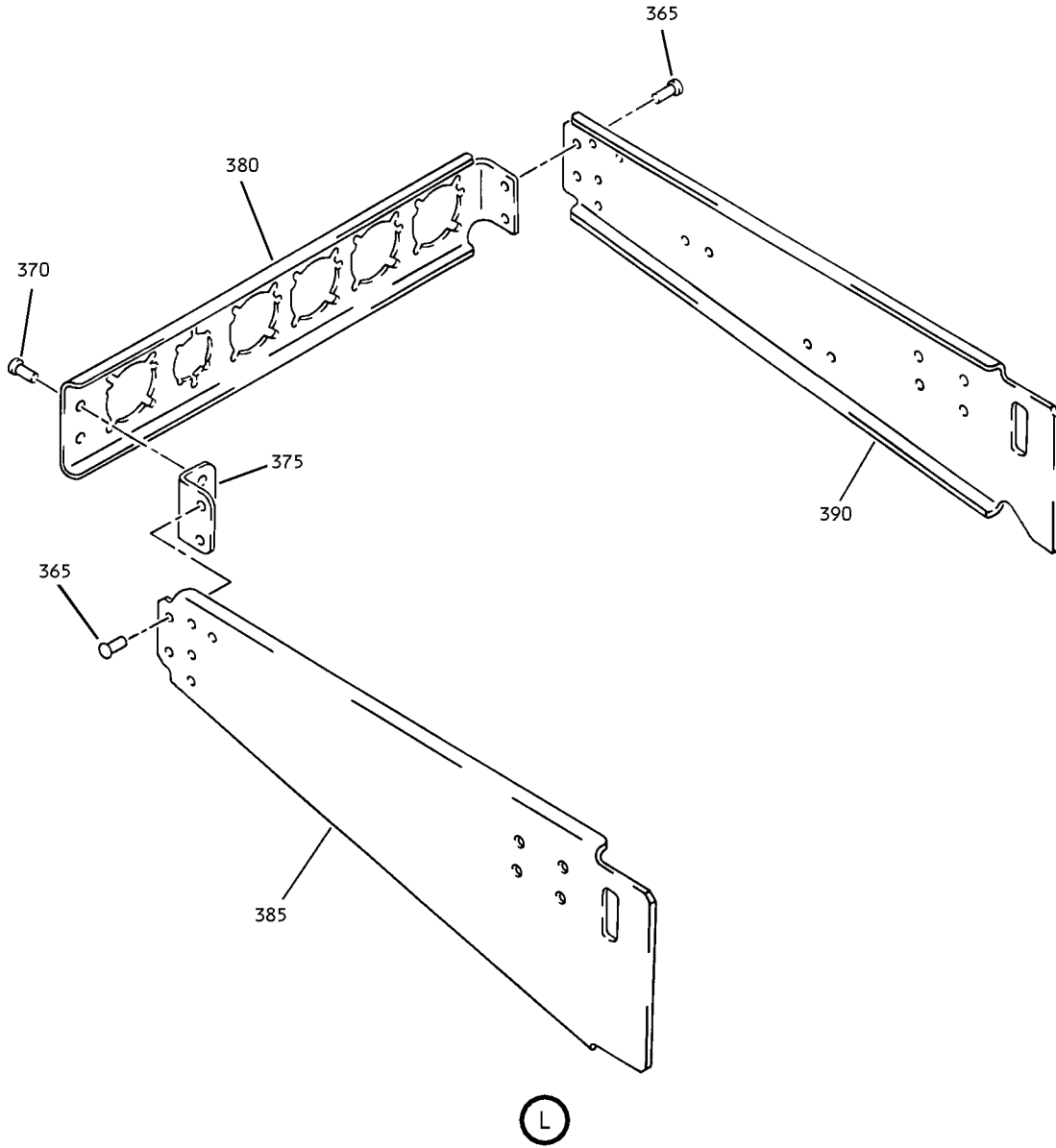
ILLUSTRATED PARTS LIST
 01.1 Page 1086X
 Jul 01/05



2 Crew Control Panel Assembly (P1-3)
Figure 7 (Sheet 6)

31-11-61

ILLUSTRATED PARTS LIST
01.1 Page 1086Y
Jul 01/05



2 Crew Control Panel Assembly (P1-3)
Figure 7 (Sheet 7)

31-11-61

ILLUSTRATED PARTS LIST
01.1 Page 1086Z
Jul 01/05


BOEING
 COMPONENT
 MAINTENANCE MANUAL

FIG. & ITEM	PART NO.	AIRLINE PART NUMBER	NOMENCLATURE 1234567	EFF CODE	QTY PER ASSY
07- -1A	233T2222-310		PANEL ASSY-CONTROL, 2 CREW, (P1-3)	AF	RF
5	BP248-127		.KNOB- (V15084)	AF	1
10 10A	S233T100-022 800-002576		DELETED .LIGHTPLATE- (V05617) (SPEC S233T100-022) (OPT S233T100-022 (V51896))	AF	1
15	800-001038		.LIGHTPLATE- (V05617) (SPEC S233T100-023) (OPT S233T100-023 (V51896))	AF	1
20 20A	S233T100-5014 800-002557		DELETED .LIGHTPLATE- (V05617) (SPEC S233T100-5014) (OPT S233T100-5014 (V51896))	AF	1
25 30	233T2222-101 BCREF11638		.PANEL ASSY ..LIGHT ASSY-SWITCH (V81590) (434-674-1031-2340) (L585) (SPEC S231T300-2340)	AF AF	1 1
35	BCREF11644		..LIGHT ASSY-SWITCH (V81590) (434-674-1031-2341) (L586) (SPEC S231T300-2341)	AF	1

31-11-61

 ILLUSTRATED PARTS LIST
 01.1 Page 1087
 Jul 01/05

FIG. & ITEM	PART NO.	AIRLINE PART NUMBER	NOMENCLATURE 1234567	EFF CODE	QTY PER ASSY
07-40	BCREF11647		..LIGHT ASSY-SWITCH (V81590) (434-674-1031-2342) (L587) (SPEC S231T300-2342)	AF	1
45	285T0112-6		..SENSOR ASSY- (STATIC SENSITIVE PART) (TS281) (REF CMM 33-16-51)	AF	1
50	2PB11H58		..SWITCH-SPDT (V91929) (S10170, S10230)	AF	2
55	800-000121-1		..CONNECTOR-PWR (V05617) (L494, L609, L662)	AF	3
60	BCREF11672		..LIGHT ASSY-INDICATOR (V81590) (434-674-1031-2361) (L890) (SPEC S231T300-2361)	AF	1
65	BCREF11671		..LIGHT ASSY-INDICATOR (V81590) (434-674-1031-2359) (L716) (SPEC S231T300-2359)	AF	1
70	BCREF11649		..LIGHT ASSY-IND ALTITUDE ALERT (V81590) (434-674-1031-2343) (L136) (SPEC S231T300-2343)	AF	1

31-11-61

ILLUSTRATED PARTS LIST

01.1

Page 1088

Jul 01/05


BOEING
 COMPONENT
 MAINTENANCE MANUAL

FIG. & ITEM	PART NO.	AIRLINE PART NUMBER	NOMENCLATURE 1234567	EFF CODE	QTY PER ASSY
07-75	BCREF11665		..LIGHT ASSY-IND ALTITUDE ALERT (V81590) (434-674-1031-2344) (L591) (SPEC S231T300-2344)	AF	1
80	BCREF12066		..LIGHT ASSY-INDICATOR (V81590) (434-674-1032-2020) (M779) (SPEC S231T301-2105)	AF	1
85	BCREF11666		..LIGHT ASSY-IND AUTOPILOT (V81590) (434-674-1031-2345) (L19) (SPEC S231T300-2345)	AF	1
90	BCREF11667		..LIGHT ASSY-IND FLT MANAGEMENT CMPTR (V81590) (434-674-1031-2346) (L603) (SPEC S231T300-2346)	AF	1
95	BCREFA0531		..SWITCH-PUSHBUTTON (V81590) (433-673-1004-4070) (S16) (SPEC S231T290-4070)	AF	1
-95A 100	4336731004-4270 BCREFA0810		DELETED ..SWITCH-PUSHBUTTON (V81590) (433-673-1004-4075) (S547) (SPEC S231T290-4075)	AF	1
-100A 105	4336731004-4275 BCREF11668		DELETED ..LIGHT ASSY-IND BRAKE SOURCE (V81590) (434-674-1031-2353) (L605) (SPEC S231T300-2353)	AF	1
110	BCREF11669		..LIGHT ASSY-IND (V81590) (433-674-1031-2354) (L474) (S231T300-2354)	AF	1

31-11-61

 ILLUSTRATED PARTS LIST
 01.1 Page 1088A
 Jul 01/05

FIG. & ITEM	PART NO.	AIRLINE PART NUMBER	NOMENCLATURE 1234567	EFF CODE	QTY PER ASSY
07-115	BCREF11670		..LIGHT ASSY-INDICATOR (V81590) (434-674-1031-2355) (L475) (SPEC S231T300-2355)	AF	1
120	BCREF11648		..LIGHT ASSY-IND AUTOBRAKES (V81590) (434-674-1031-2339) (L119) (SPEC S231T300-2339)	AF	1
125	BACS12ER06K6		..SCREW	AF	6
130	69B46200-21		..STANDOFF	AF	3
135	BACS12ER06K5		..SCREW	AF	3
140	233T6200-214		..BRACKET-SPRT	AF	1
145	AC30-0003-3		..SWITCH-AUTOBRAKE (V91812) (S24) (SPEC S283T022-3)	AF	1
150	123-4040F		..CLAMP-INSTRUMENT MOUNTING (V28277)	AF	1
155	123-3232F		..CLAMP-INSTRUMENT MOUNTING (V28277)	AF	4
160	123-3232HJ		..CLAMP-INSTRUMENT MOUNTING (V28277)	AF	1
165	NAS8200A13		..SCREW	AF	4
170	NAS42DD4-34		..SPACER	AF	4
175	K19798-04		..NUT-CLIP (V15653) (SPEC BACN10NW1) (OPT RMA4812-160-40 (V72962)) (OPT 293162 (V60119))	AF	4
180	280T1002-1		..RECEPTACLE ASSY-MASTER DIMMER AND PNL LT SHORTING	AF	2
185	CN0942-057PN		...CONNECTOR- (V13556)	AF	1
190	280T1020-2		DELETED		
190A	280T1002-2		...BOARD	AF	1
195	233T2224-72		..PANEL ASSY-FWD	AF	1
200	BACS21EE35RB		...STUD ASSY	AF	2
205	BACS21EE36RB		...STUD ASSY	AF	1

31-11-61

ILLUSTRATED PARTS LIST

01.1 Page 1088B

Jul 01/05


BOEING
 COMPONENT
 MAINTENANCE MANUAL

FIG. & ITEM	PART NO.	AIRLINE PART NUMBER	NOMENCLATURE 1234567	EFF CODE	QTY PER ASSY
07-					
207	BACS21EE37RB		...STUD ASSY	AF	1
210	2600SW2		...WASHER-RETAINING (V71286) (SPEC BACW10X2S) (OPT 1127723 (V60119))	AF	4
215	BACR15BA6AD		...RIVET- (SIZE DETERMINE ON INST)	AF	3
220	BACS12ER3K16		...SCREW	AF	2
225	012002-103		...SPACER- (V28277)	AF	1
230	233T2218-9		...FOOTREST ASSY	AF	1
235	MS21209F1-30	INSERT	AF	2
240	233T2221-3	SURFACING-ANTI-SLIP	AF	1
245	233T2218-11	FOOTREST	AF	1
250	NAS8203A8		...SCREW	AF	2
255	WSI4-10		...NUTPLATE- (V04169) (SPEC BACN10TL3-10)	AF	2
260	233T2219-4		...TUBE-WIRING SPRT	AF	1
265	233T2229-19		...SPACER	AF	1
270	BACS12ER3K12		...SCREW	AF	1
275	NAS1149D0363H		...WASHER	AF	1
280	MS35650-305T		...NUT	AF	1
285	H52732-3CD		...NUT- (V15653) (SPEC BACN10YR3CD) (OPT PLH53CD (V62554))	AF	1

31-11-61

 ILLUSTRATED PARTS LIST
 01.1 Page 1088C
 Jul 01/05

FIG. & ITEM	PART NO.	AIRLINE PART NUMBER	NOMENCLATURE 1234567	EFF CODE	QTY PER ASSY
07-					
290	NAS8203A5		...SCREW	AF	2
295	NAS8203A8		...SCREW	AF	2
300	BACS12ER08K10		...SCREW	AF	8
305	NAS1149CN816R		...WASHER	AF	8
310	BACN10Y08CD		...NUT	AF	8
315	BACR15BA3AD		...RIVET- (SIZE DETERMINE ON INST)	AF	18
320	012002-101		...SPACER- (V28277)	AF	3
325	120492BL		...SLIDE- (V05236)	AF	1
330	120492BR		...SLIDE- (V05236)	AF	1
335	WSI4-3		...NUTPLATE- (V04169) (SPEC BACN10TL3-3)	AF	4
340	WSI4-6		...NUTPLATE- (V04169) (SPEC BACN10TL3-6)	AF	2
345	233T2219-13		...TUBE-WIRING SUPPORT	AF	1
350	233T2224-73		...BASEPLATE ASSY	AF	1
355	SF12G6CBB5D	NUT-PRESS (V12324)	AF	6
360	233T2228-11	BRACKET ASSY	AF	1
365	BACR15CE5AD	RIVET- (SIZE DETERMINE ON INST)	AF	4
370	BACR15FT5AD	RIVET- (SIZE DETERMINE ON INST)	AF	2
375	233N2213-22	ANGLE	AF	1
380	233T2229-10	BRACKET	AF	1
385	233T2229-21	BRACKET	AF	1

31-11-61

ILLUSTRATED PARTS LIST

01.1 Page 1088D

Jul 01/05


BOEING
 COMPONENT
 MAINTENANCE MANUAL

FIG. & ITEM	PART NO.	AIRLINE PART NUMBER	NOMENCLATURE	EFF CODE	QTY PER ASSY
			1234567		
07-					
390	233T2229-22	BRACKET	AF	1
395	233T2224-75	BASEPLATE	AF	1
400	BAC27TFDE0439		..DECAL-CAUTION ELECTROSTATIC SENSITIVE DEVICE. CONDUCTIVE CONNECTOR DUST COVER REQUIRED	AF	1
-405	288T3013-1		DELETED		
-405A	286T0013-OAE		.WIRE BUNDLE	AF	1

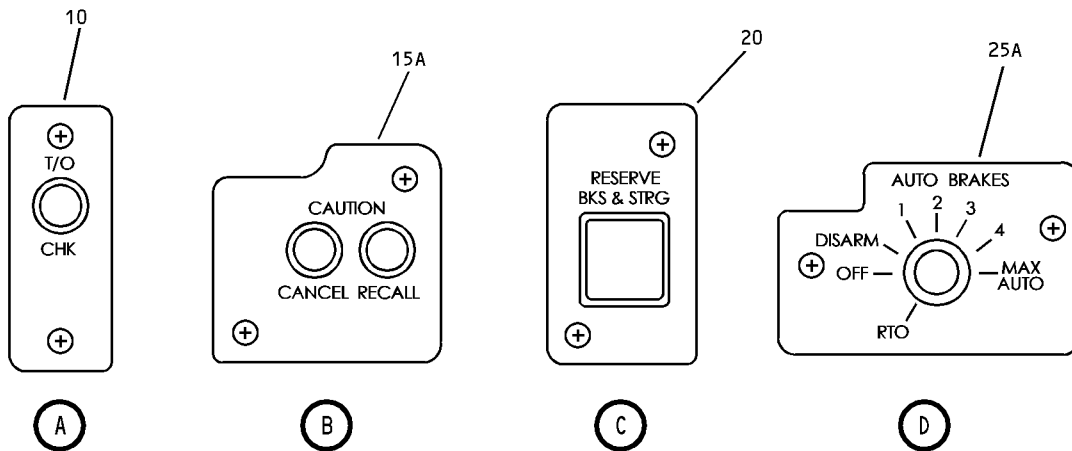
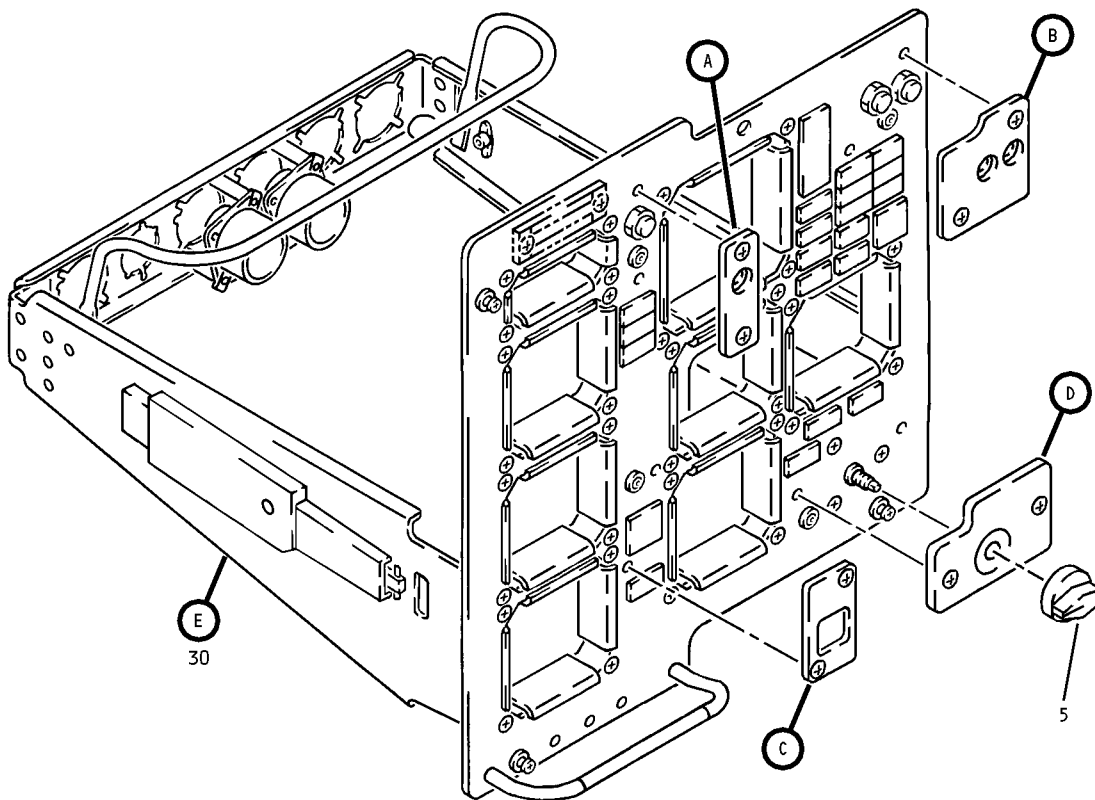
- Item Not Illustrated

31-11-61

ILLUSTRATED PARTS LIST

01.1 Page 1088E

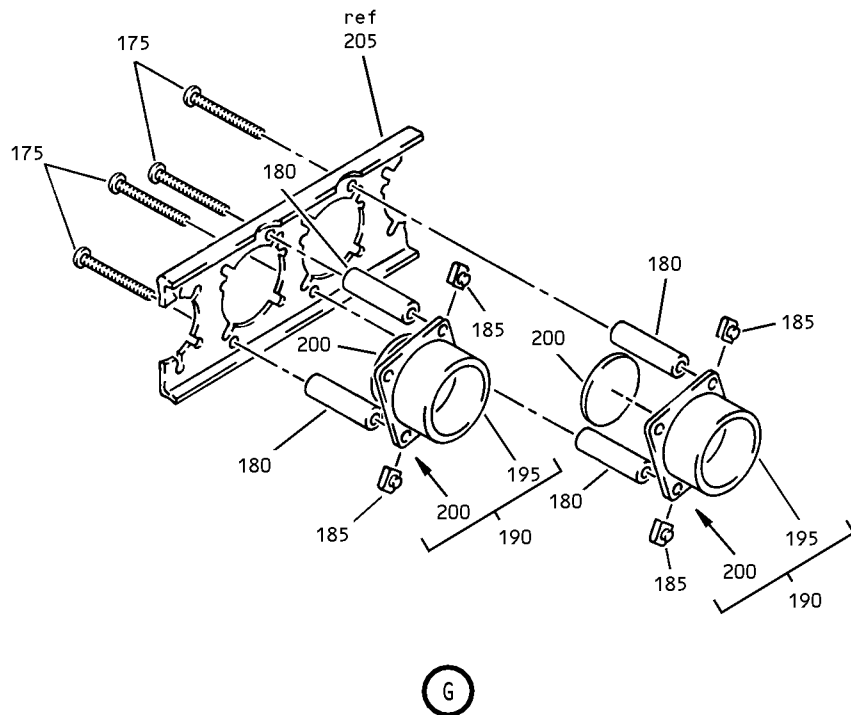
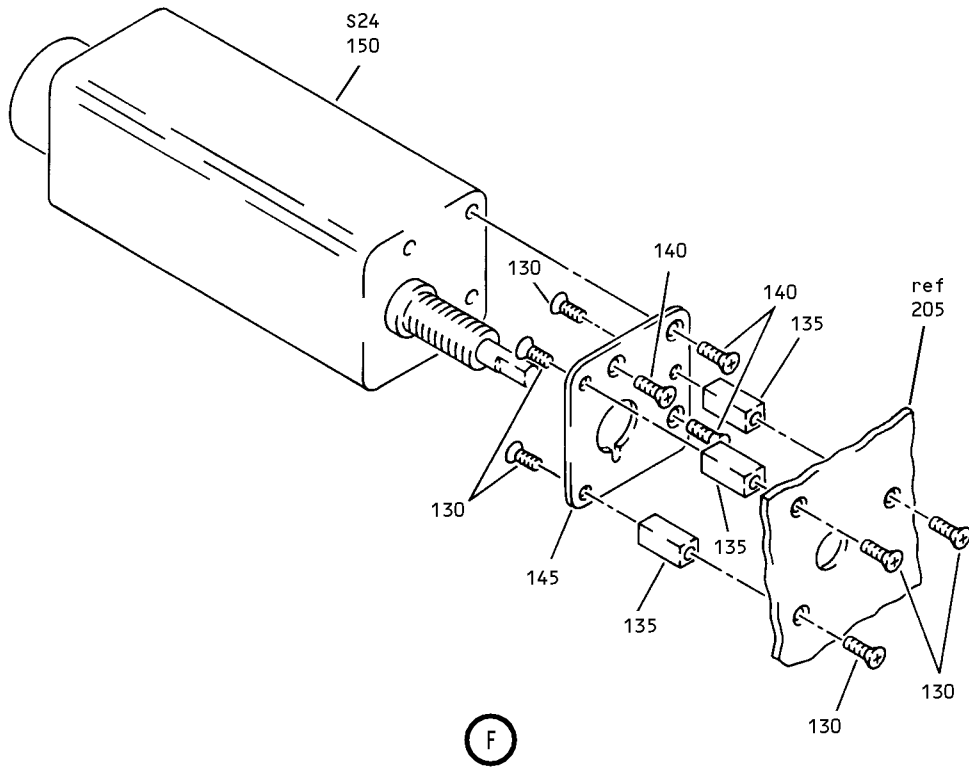
Jul 01/05



2 Crew Control Panel Assembly (P1-3)
 Figure 8 (Sheet 1)

31-11-61

ILLUSTRATED PARTS LIST
 01.1 Page 1088F
 Jul 01/05

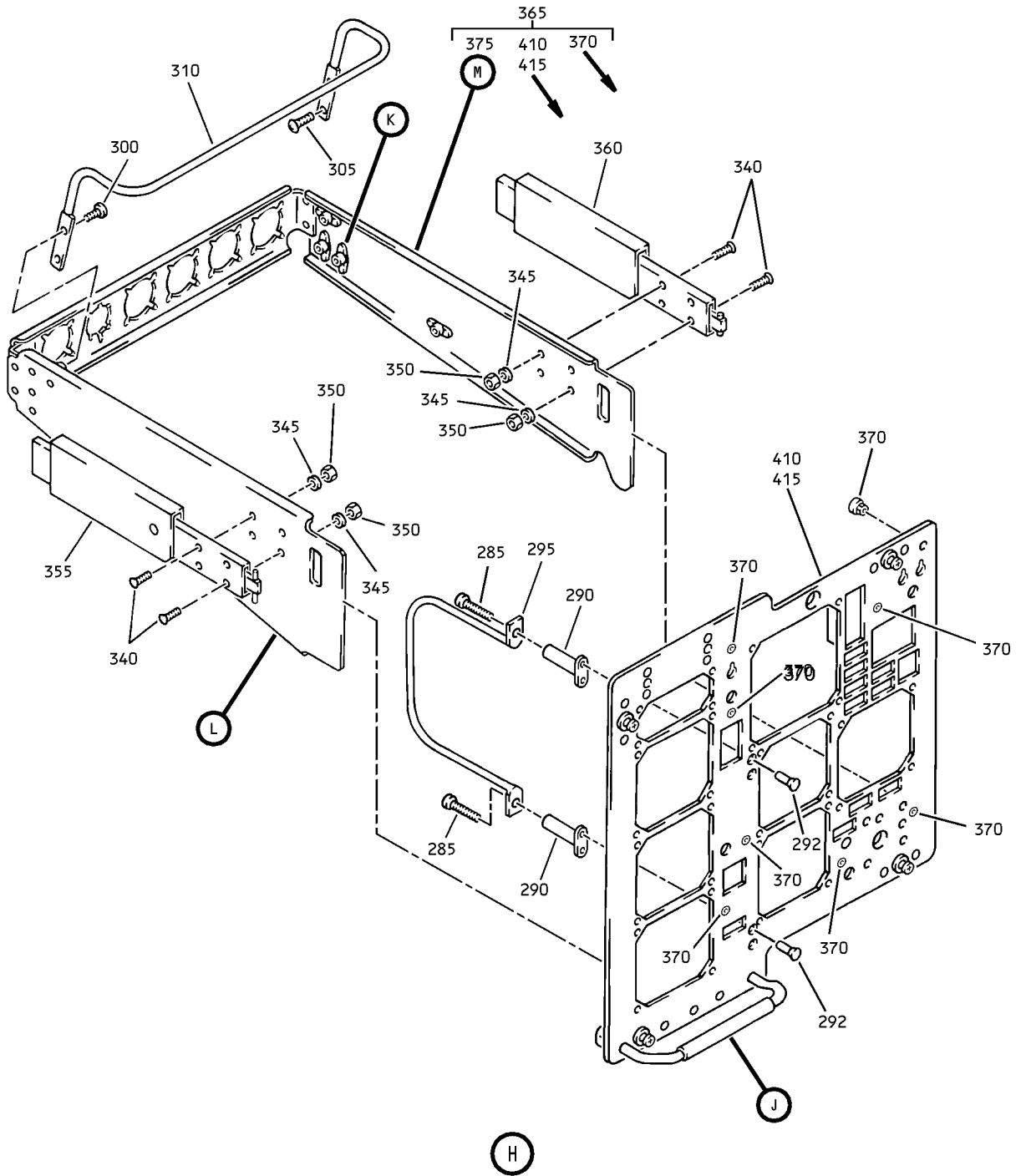


2 Crew Control Panel Assembly (P1-3)
 Figure 8 (Sheet 3)

31-11-61

ILLUSTRATED PARTS LIST
 01.1 Page 1088H
 Jul 01/05

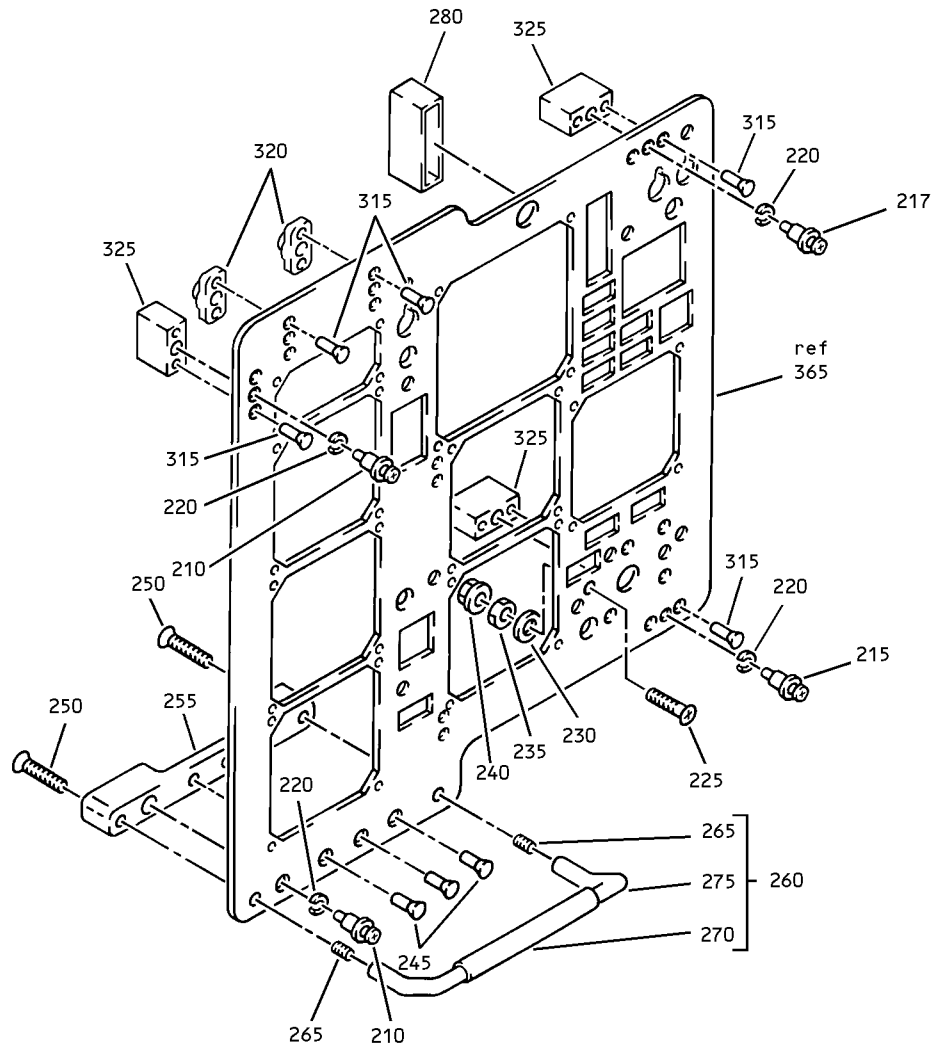
BOEING
COMPONENT
MAINTENANCE MANUAL



2 Crew Control Panel Assembly (P1-3)
Figure 8 (Sheet 4)

31-11-61

ILLUSTRATED PARTS LIST
01.1 Page 1088I
Jul 01/05

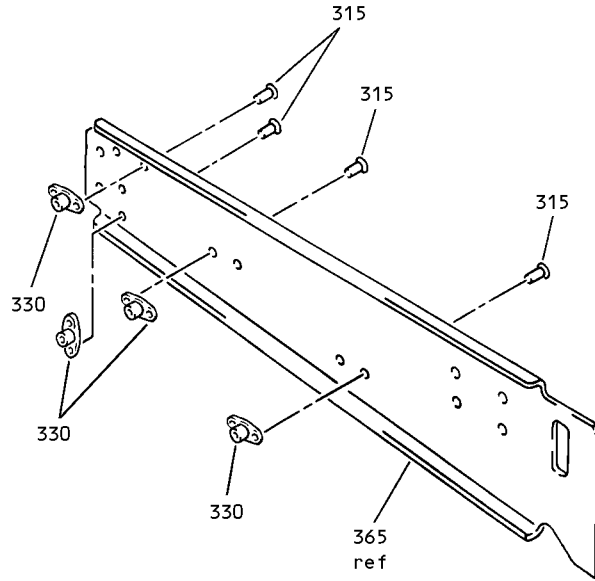


J

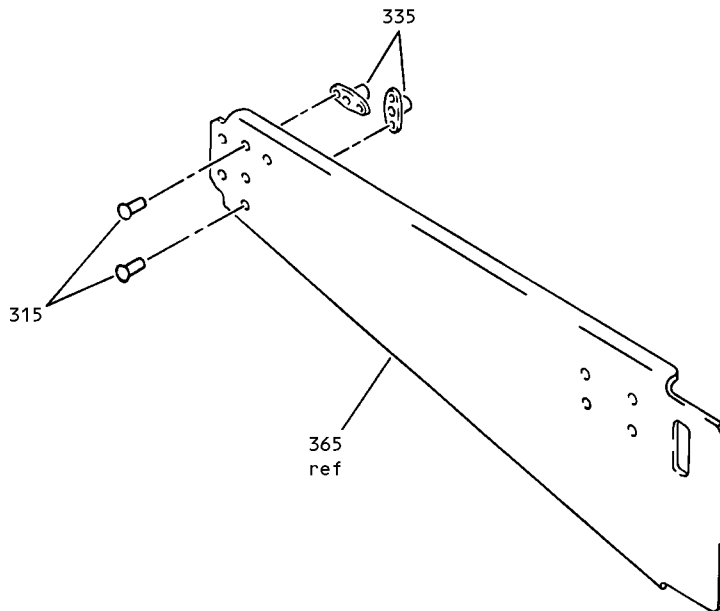
2 Crew Control Panel Assembly (P1-3)
 Figure 8 (Sheet 5)

31-11-61

ILLUSTRATED PARTS LIST
 01.1 Page 1088J
 Jul 01/05



(K)

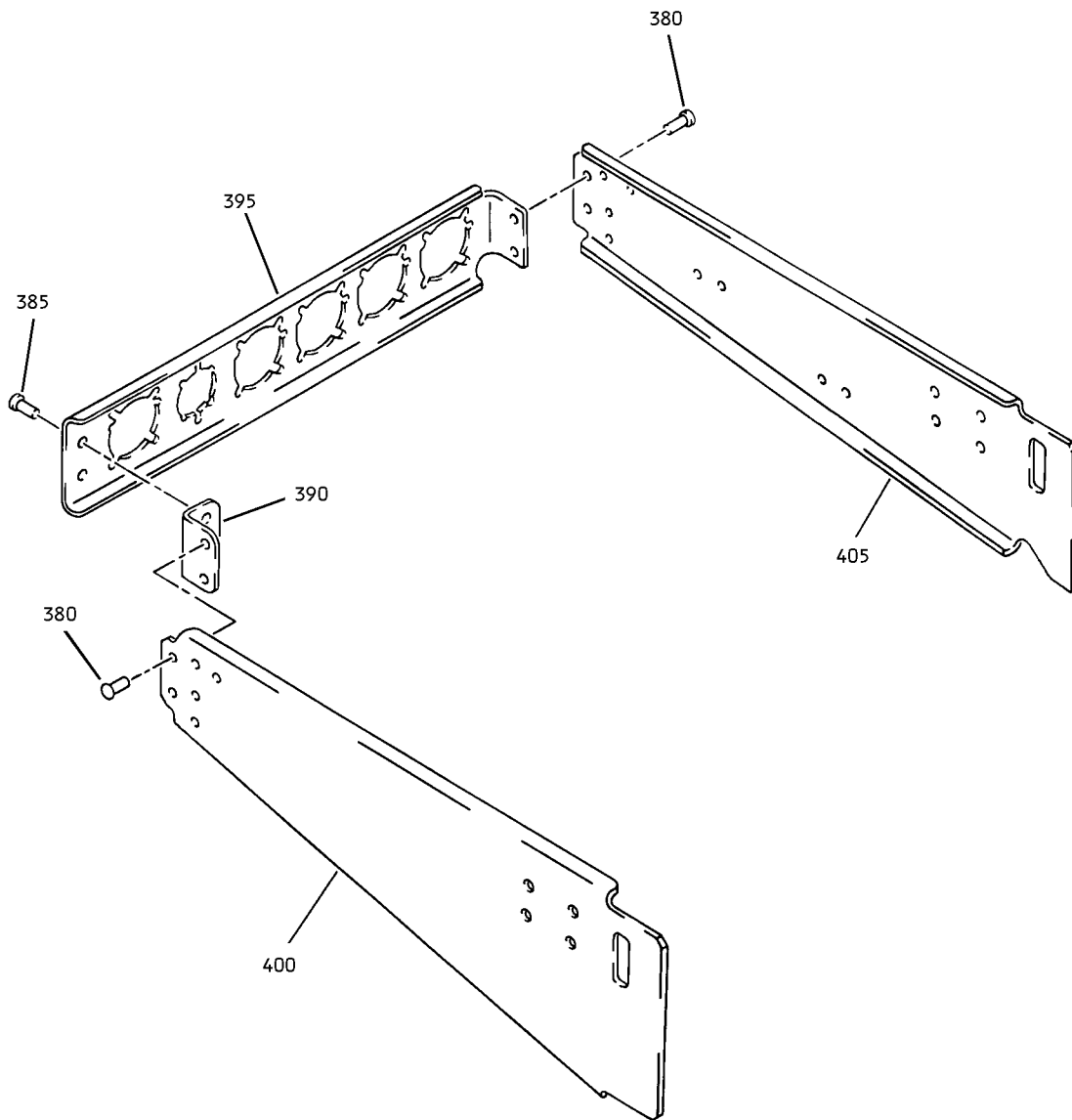


(L)

2 Crew Control Panel Assembly (P1-3)
Figure 8 (Sheet 6)

31-11-61

ILLUSTRATED PARTS LIST
01.1 Page 1088K
Jul 01/05



2 Crew Control Panel Assembly (P1-3)
Figure 8 (Sheet 7)

31-11-61

ILLUSTRATED PARTS LIST
01.1 Page 1088L
Jul 01/05


BOEING
 COMPONENT
 MAINTENANCE MANUAL

FIG. & ITEM	PART NO.	AIRLINE PART NUMBER	NOMENCLATURE 1234567	EFF CODE	QTY PER ASSY
08- -1A	233T2222-312		PANEL ASSY-CONTROL, 2 CREW, (P1-3)	AH	RF
-1B	233T2222-320		PANEL ASSY-CONTROL, 2 CREW, (P1-3)	AJ	RF
5	BP248-127		.KNOB- (V15084)	AH,AJ	1
10	800-002451		.LIGHTPLATE- (V05617) (SPEC S233T100-5023) (OPT S233T100-5023 (V51896))	AH,AJ	1
15 15A	S233T100-022 800-002576		DELETED .LIGHTPLATE- (V05617) (SPEC S233T100-022) (OPT S233T100-022 (V51896))	AH,AJ	1
20	800-001038		.LIGHTPLATE- (V05617) (SPEC S233T100-023) (OPT S233T100-023 (V51896))	AH,AJ	1
25 25A	S233T100-5014 800-002557		DELETED .LIGHTPLATE- (V05617) (SPEC S233T100-5014) (OPT S233T100-5014 (V51896))	AH,AJ	1
30 35	233T2222-102 2PB11H58		.PANEL ASSY ..SWITCH-SPDT (V91929) (S918, S10170, S10230)	AH,AJ AH,AJ	1 3
40	800-000121-1		..CONNECTOR-PWR (V05617) (L494, L609, L662, L1354)	AH,AJ	4

31-11-61

 ILLUSTRATED PARTS LIST
 01.1 Page 1088M
 Jul 01/05



COMPONENT
MAINTENANCE MANUAL

FIG. & ITEM	PART NO.	AIRLINE PART NUMBER	NOMENCLATURE 1234567	EFF CODE	QTY PER ASSY
08-45	BCREF11638		..LIGHT ASSY-SWITCH (V81590) (434-674-1031-2340) (L585) (SPEC S231T300-2340)	AH,AJ	1
50	BCREF11644		..LIGHT ASSY-SWITCH (V81590) (434-674-1031-2341) (L586) (SPEC S231T300-2341)	AH,AJ	1
55	BCREF11647		..LIGHT ASSY-SWITCH (V81590) (434-674-1031-2342) (L587) (SPEC S231T300-2342)	AH,AJ	1
60	285T0112-6		..SENSOR ASSY- (STATIC SENSITIVE PART) (TS281) (REF CMM 33-16-51)	AH,AJ	1
65	BCREF11672		..LIGHT ASSY-INDICATOR (V81590) (434-674-1031-2361) (L890) (SPEC S231T300-2361)	AH,AJ	1
70	BCREF11671		..LIGHT ASSY-INDICATOR (V81590) (434-674-1031-2359) (L716) (SPEC S231T300-2359)	AH,AJ	1
75	BCREF11649		..LIGHT ASSY-IND ALTITUDE ALERT (V81590) (434-674-1031-2343) (L136) (SPEC S231T300-2343)	AH,AJ	1
80	BCREF11665		..LIGHT ASSY-IND ALTITUDE ALERT (V81590) (434-674-1031-2344) (L591) (SPEC S231T300-2344)	AH,AJ	1

31-11-61


BOEING
 COMPONENT
 MAINTENANCE MANUAL

FIG. & ITEM	PART NO.	AIRLINE PART NUMBER	NOMENCLATURE 1234567	EFF CODE	QTY PER ASSY
08-85	BCREF12066		..LIGHT ASSY-INDICATOR (V81590) (434-674-1032-2020) (M779) (SPEC S231T301-2105)	AH,AJ	1
90	BCREF11666		..LIGHT ASSY-IND AUTOPILOT (V81590) (434-674-1031-2345) (L19) (SPEC S231T300-2345)	AH,AJ	1
95	BCREF11667		..LIGHT ASSY-IND FLT MANAGEMENT CMPTR (V81590) (434-674-1031-2346) (L603) (SPEC S231T300-2346)	AH,AJ	1
100	BCREFA0531		..SWITCH-PUSHBUTTON (V81590) (433-673-1004-4070) (S16) (SPEC S231T290-4070)	AH,AJ	1
-100A 105	4336731004-4270 BCREFA0810		DELETED ..SWITCH-PUSHBUTTON (V81590) (433-673-1004-4075) (S547) (SPEC S231T290-4075)	AH,AJ	1
-105A 110	4336731004-4275 BCREF11668		DELETED ..LIGHT ASSY-IND BRAKE SOURCE (V81590) (434-674-1031-2353) (L605) (SPEC S231T300-2353)	AH,AJ	1

31-11-61

 ILLUSTRATED PARTS LIST
 01.1 Page 10880
 Jul 01/05

FIG. & ITEM	PART NO.	AIRLINE PART NUMBER	NOMENCLATURE 1234567	EFF CODE	QTY PER ASSY
08-115	BCREF11669		..LIGHT ASSY-IND (V81590) (433-674-1031-2354) (L474) (S231T300-2354)	AH,AJ	1
120	BCREF11670		..LIGHT ASSY-INDICATOR (V81590) (434-674-1031-2355) (L475) (SPEC S231T300-2355)	AH,AJ	1
125	BCREF11648		..LIGHT ASSY-IND AUTOBRAKES (V81590) (434-674-1031-2339) (L119) (SPEC S231T300-2339)	AH,AJ	1
130	BACS12ER06K6		..SCREW	AH,AJ	6
135	69B46200-21		..STANDOFF	AH,AJ	3
140	BACS12ER06K5		..SCREW	AH,AJ	3
145	233T6200-214		..BRACKET-SPRT	AH,AJ	1
150	AC30-0003-3		..SWITCH-AUTOBRAKE (V91812) (S24) (SPEC S283T022-3)	AH,AJ	1
155	123-3215F		..CLAMP- (V28277)	AH,AJ	1
160	123-3232F		..CLAMP-INSTRUMENT MOUNTING (V28277)	AH,AJ	5
165	123-4040F		..CLAMP-INSTRUMENT MOUNTING (V28277)	AH,AJ	1

31-11-61

ILLUSTRATED PARTS LIST

01.1 Page 1088P

Jul 01/05


BOEING
 COMPONENT
 MAINTENANCE MANUAL

FIG. & ITEM	PART NO.	AIRLINE PART NUMBER	NOMENCLATURE 1234567	EFF CODE	QTY PER ASSY
08-170	123-3232HJ		..CLAMP-INSTRUMENT MOUNTING (V28277)	AH,AJ	1
175	NAS8200A14		..SCREW	AH,AJ	4
180	NAS42DD4-34FC		..SPACER	AH,AJ	4
185	K19798-04		..NUT- (V15653) (SPEC BACN10NW1) (OPT RMA4812-160-40 (V72962)) (OPT 293162 (V60119))	AH,AJ	4
190	280T1002-1		..RECEPTACLE ASSY-MASTER DIMMER AND PNL LT SHORTING	AH,AJ	2
195	CN0942-057PN		...CONNECTOR- (V13556)	AH,AJ	1
200	280T1002-2		...BOARD	AH,AJ	1
205	233T2224-79		..PANEL ASSY-FWD	AH,AJ	1
210	BACS21EE35RB		...STUD ASSY	AH,AJ	2
215	BACS21EE36RB		...STUD ASSY	AH,AJ	1
217	BACS21EE37RB		...STUD ASSY	AH,AJ	1
220	2600SW2		...WASHER- (V71286) (SPEC BACW10X2S) (OPT 1127723 (V60119))	AH,AJ	4
225	BACS12ER3K12		...SCREW	AH,AJ	1
230	NAS1149D0363H		...WASHER	AH,AJ	1
235	MS35650-305T		...NUT	AH,AJ	1
240	H52732-3CD		...NUT- (V15653) (SPEC BACN10YR3CD) (OPT PLH53CD (V62554))	AH,AJ	1
245	BACR15BA6AD		...RIVET- (SIZE DETERMINE ON INST)	AH,AJ	3
250	BACS12ER3K16		...SCREW	AH,AJ	2
255	012002-103		...SPACER- (V28277)	AH,AJ	1
260	233T2218-9		...FOOTREST ASSY	AH,AJ	1
265	MS21209F1-30	INSERT	AH,AJ	2
270	233T2221-3	SURFACING-ANTI-SLIP	AH,AJ	1
275	233T2218-11	FOOTREST	AH,AJ	1
280	233T2229-19		...SPACER	AH,AJ	1

31-11-61

ILLUSTRATED PARTS LIST

01.1 Page 1088Q

Jul 01/05



COMPONENT
MAINTENANCE MANUAL

FIG. & ITEM	PART NO.	AIRLINE PART NUMBER	NOMENCLATURE 1234567	EFF CODE	QTY PER ASSY
08-					
285	NAS8203A8		...SCREW	AH,AJ	2
290	WSI4-10		...NUTPLATE- (V04169) (SPEC BACN10TL3-10) ATTACHING PARTS	AH,AJ	2
292	BACR15BA3AD		...RIVET- (SIZE DETERMINE ON INST) -----*-----	AH,AJ	4
295	233T2219-4		...TUBE-WIRING SPRT	AH,AJ	1
300	NAS8203A5		...SCREW	AH,AJ	2
305	NAS8203A8		...SCREW	AH,AJ	2
310	233T2219-13		...TUBE-WIRING SPRT	AH,AJ	1
315	BACR15BA3AD		...RIVET- (SIZE DETERMINE ON INST)	AH,AJ	22
320	BRFM20A08		...NUTPLATE- (V52828) (SPEC BACN10JN08) (OPT MF53049-08 (V15653)) (OPT MF1000-08BAC (V15653)) (OPT NS103218-82 (V80539)) (OPT RMF9201M82 (V72962)) (OPT VN252A82 (V92215)) (OPT T8124S08S (V11815))	AH,AJ	2
325	012002-101		...SPACER- (V28277)	AH,AJ	3
330	BACN1TL3-3		...NUTPLATE	AH,AJ	4
335	BACN1TL3-6		...NUTPLATE	AH,AJ	2
340	BACS12ER08K10		...SCREW	AH,AJ	8
345	NAS1149CN816R		...WASHER	AH,AJ	8
350	BACN10Y08CD		...NUT	AH,AJ	8
355	120492BL		...SLIDE- (V05236)	AH,AJ	1
360	120492BR		...SLIDE- (V05236)	AH,AJ	1

31-11-61


BOEING
 COMPONENT
 MAINTENANCE MANUAL

FIG. & ITEM	PART NO.	AIRLINE PART NUMBER	NOMENCLATURE 1234567	EFF CODE	QTY PER ASSY
08-					
365	233T2224-80		...BASEPLATE ASSY	AH,AJ	1
370	SF12G6CBB5D	NUT-PRESS (V12324)	AH,AJ	8
375	233T2228-11	BRACKET ASSY	AH,AJ	1
380	BACR15CE5AD	RIVET- (SIZE DETERMINE ON INST)	AH,AJ	4
385	BACR15FT5AD	RIVET- (SIZE DETERMINE ON INST)	AH,AJ	2
390	233N2213-22	ANGLE	AH,AJ	1
395	233T2229-10	BRACKET	AH,AJ	1
400	233T2229-21	BRACKET	AH,AJ	1
405	233T2229-22	BRACKET	AH,AJ	1
410	233T2224-81	BASEPLATE	AH,AJ	1
415	233T2233-3	BASEPLATE	AH,AJ	1
420	BAC27TFDE0439		..DECAL-CAUTION ELECTROSTATIC SENSITIVE DEVICE. CONDUCTIVE CONNECTOR DUST COVER REQUIRED	AH,AJ	2
-425	288T3013-1		.WIRE BUNDLE INST	AH	1
-430	288T3013-7		DELETED		
-430A	286T0013-OAS		.WIRE BUNDLE	AJ	1

- Item Not Illustrated

31-11-61

ILLUSTRATED PARTS LIST

01.1 Page 1088S

Jul 01/05